

# Evaluation System for Stepping Motor with Resolver (RTK0EM0000B11020BJ) Schematic

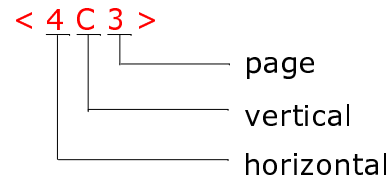
- 01 : Contents
- 02 : Inverter
- 03 : Connector
- 04 : History

Supplementary explanation :

DNF: unmounted part

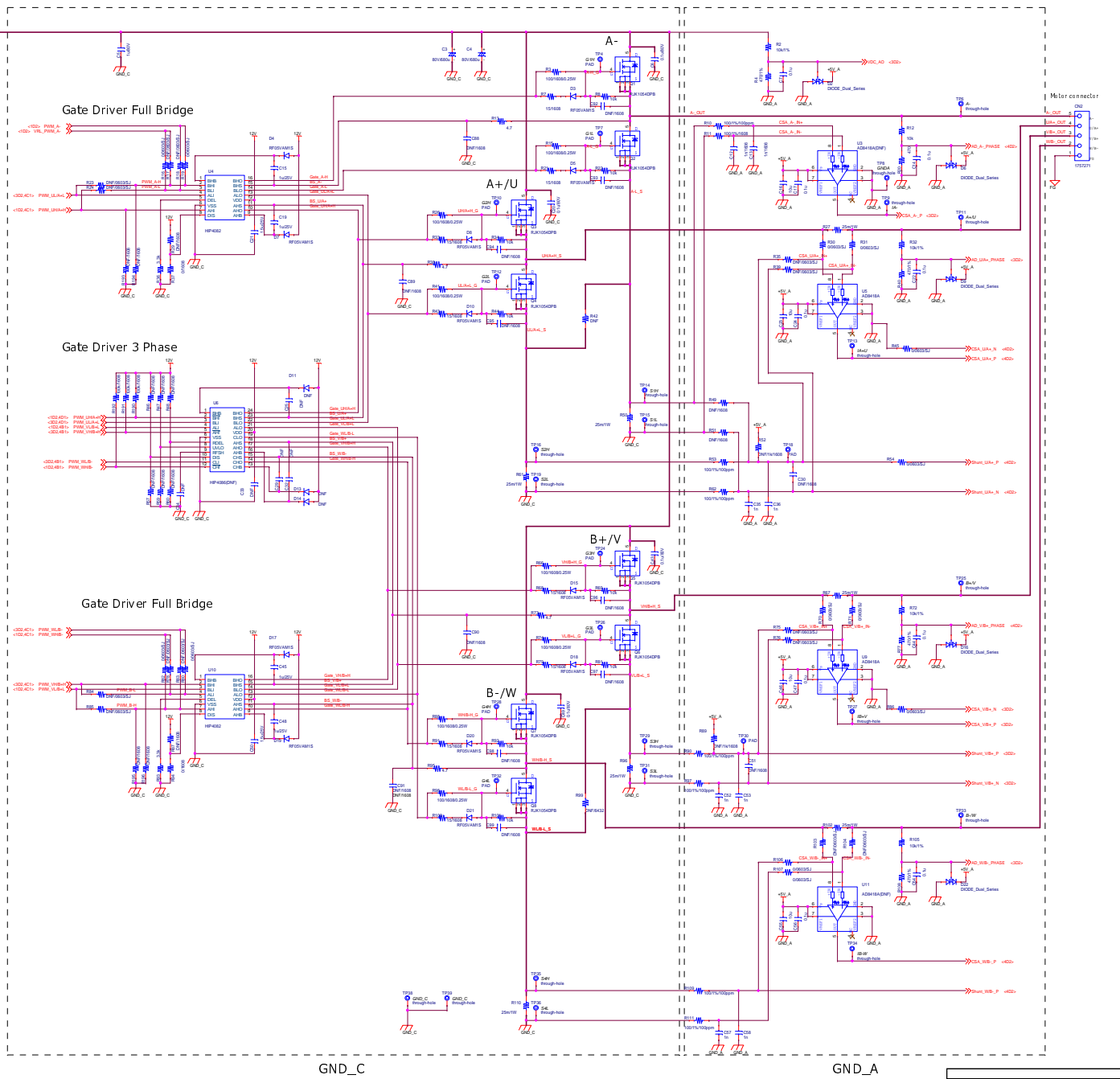
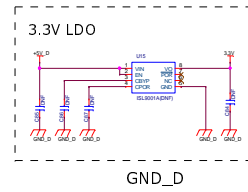
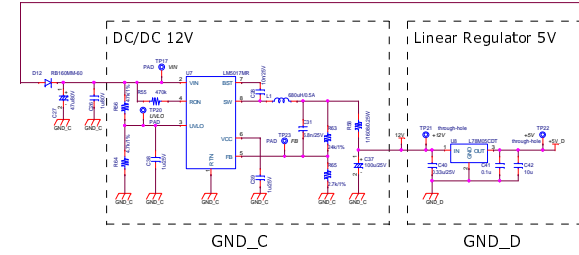
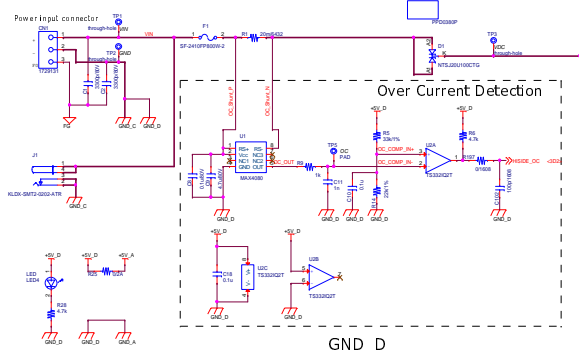
Access point : <horizontal, vertical, page>

Ex.



Title		
RTK0EM0000B11020BJ		
Size	Document Number	Rev
A3	R12TU0083EJ0100	1.00
Date:	Friday, January 17, 2020	Sheet 1 of 4

Inverter circuit





History

Rev.	Date	Page	Summary
1.0	2020/1/17	—	First edition

Title		
RTK0EM0000B11020BJ		
Size	Document Number	Rev
A3	R12TU0083EJ0100	1.00
Date:	Friday, January 17, 2020	Sheet 4 of 4