

## ISL6294EVAL1Z

Evaluation Board Application Manual

AN1169  
Rev 1.00  
Nov 28, 2006

### Description

The ISL6294EVAL1Z is an evaluation tool for the ISL6294 single-cell Li-Ion battery charger. The evaluation tool provides a complete evaluation platform addressing all datasheet specifications and functionalities. The jumpers on the board facilitate the programming of the charge current, different charging conditions, and can be used to make other necessary connections, such as current measurement.

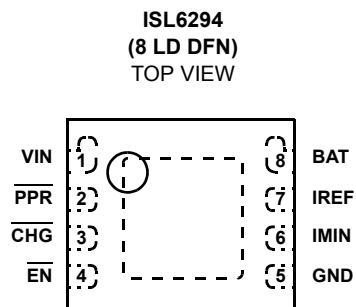
The ISL6294 is a fully integrated single-cell Li-Ion battery charger that accepts input voltages ranging from 4.5V up to 28V. Since the cradle input is rated for 28V maximum input voltage, the components associated with the input circuit on the evaluation board are good for a 28V supply.

The components assembled in the center square constitute a complete charger, indicating the space saving advantage of the typical ISL6294 installation in space-limited applications.

### Ordering Information

PART #	DESCRIPTION
ISL6294EVAL1Z	Evaluation Board for ISL6294

### Pinout



### Features

- A Complete Evaluation Platform for the ISL6294 Charger
- The Center Square Suggesting the Space Saving Advantage of the Typical Components Assembly
- Accepts Input Voltage up to 28V
- Flexible Power Connectors Each with a Hook and a Solder Pad Providing Variety to Users
- Convenient Jumpers for Programming the Charge Current, Charge Mode, and for Current Measurement
- 3.5x2.5 Square Inches Board Size Handy for Evaluation
- Six Thermal Vias in the Thermal Pad Similar To Customers' Thermally Enhanced Environment
- On-Board LEDs for Input  $\overline{\text{PPR}}$  and  $\overline{\text{CHG}}$  State Indication

### What is Needed

The following instruments will be needed to perform testing:

- Power supplies:
  - 1) PS1: DC 30V/5A
  - 2) PS2: DC 20V/5A
- DC Electronic load: 20V/5A
- Multimeters
- Function generator
- Oscilloscope
- Cables and wires

**Quick Setup Guide (Refer to Figure 1)**

**DO NOT APPLY POWER UNTIL STEP 5**

- Step 1: Connect a 5V supply PS1 to VIN with the current limit set at 1.2A
- Step 2: Connect a 3.7V supply PS2 to VBAT with the current limit set at 1.2A
- Step 3: Connect the DC electronic load of 1.0A to BAT

- Step 4: Verify that jumper shunts JP5 and JP7 are not inserted
- Step 5: Turn on Power Supplies and DC electronic load
- Step 6: The green LED should be on, indicating normal charging operation
- Step 7: The current meter I2 in series with PS2 should read about 0.25A as the charging current
- Step 8: Insert a jumper shunt on JP5 and the current meter I2 should read about 0.5A
- Step 9: Insert a jumper shunt on both JP5 and JP7 and the current meter I2 should read

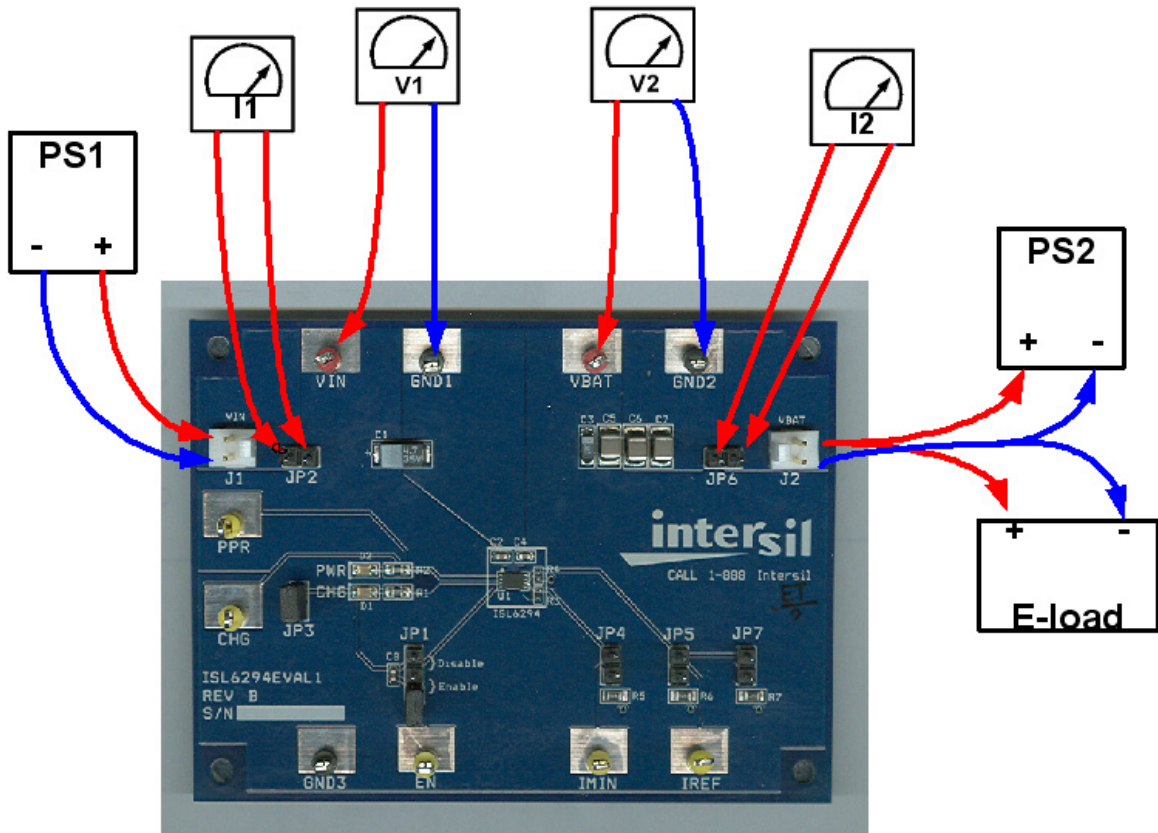


FIGURE 1. CONNECTION OF INSTRUMENTS

## Detailed Description

The ISL6294EVAL1Z is a complete evaluation platform addressing all datasheet specifications and functionalities.

The jumpers on the board facilitate the programming of the charge current, different charging conditions, and can be used to make other necessary connections, such as current measurement.

### Jumpers

**JP1** - Connects the  $\overline{\text{EN}}$  pin to a pull-up voltage or GND. The pull-up voltage is either the BAT voltage (When a shunt is installed on JP3) an external 3.3V power source (when the shunt on JP3 is removed and a +3.3V supply is connected to the upper pin of JP3). If there is no shunt installed on JP1, the  $\overline{\text{EN}}$  pin is internally pulled down to logic LOW, which enables the charger. If a shunt is installed across the two jumper pins labeled as "Enable", the  $\overline{\text{EN}}$  pin is driven to logic LOW, the charger is enabled, same as floating. If the shunt is installed across the two jumper pins labeled as "Disable" and the pull-up voltage is above 2V, the  $\overline{\text{EN}}$  pin is driven to logic HIGH, which disables the charger.

**JP2** - A shunt installed on JP2 connects the input source from connector J1 to the circuit if input current measurement is not needed. The shunt can be replaced by a current meter if input current measurement is needed.

**JP3** - Selects the power source for logic pull-up and the LEDs supply. If a shunt is installed, the BAT voltage is selected as the power source. If the shunt is removed, an external power supply of +3.3V can be connected from the upper pin to GND to provide the pull-up and LEDs supply. This purpose is to exclude the extra current through the charger when characterizing small currents such as EOC and quiescent currents.

**JP4** - Parallels an additional 487k resistor to the IMIN pin, such that the End-of-Charge Current will be increased to 43mA ( $R_{\text{IMIN}}$  is 487k and the EOC current is 20mA without the shunt).

**JP5** - Parallels an additional 48.7k resistor to the IREF pin, such that the Cradle charge current will be increased by 0.25A ( $R_{\text{IREF}}$  is 48.7k and the charge current is 250mA if the shunts on both JP5 and JP7 are removed).

**JP6** - A shunt installed on JP6 connects the BAT pin to the output connector J2 if output current measurement is not needed. The shunt can be replaced by a current meter if output current measurement is needed.

**JP7** - Parallels an additional 48.7k resistor to the IREF pin, such that the Cradle charge current will be increased by another 0.25A.

TABLE 1. JUMPER SETTINGS

JUMPER	POSITION	FUNCTION
JP1	$\overline{\text{EN}}$ = HIGH	Charger disabled
	$\overline{\text{EN}}$ = GND	Charger enabled
	Shunt not installed	Charger enabled
JP2	Shunt installed	Connect input source to VIN
JP3	Shunt installed	Select BAT as the pull-up source
JP4	Shunt installed	Set EOC current to 43mA
JP5	Shunt installed	Add 0.25A to charging current
JP6	Shunt installed	Connects BAT to J2
JP7	Shunt installed	Add 0.25A to charging current

**Board Layout Information**

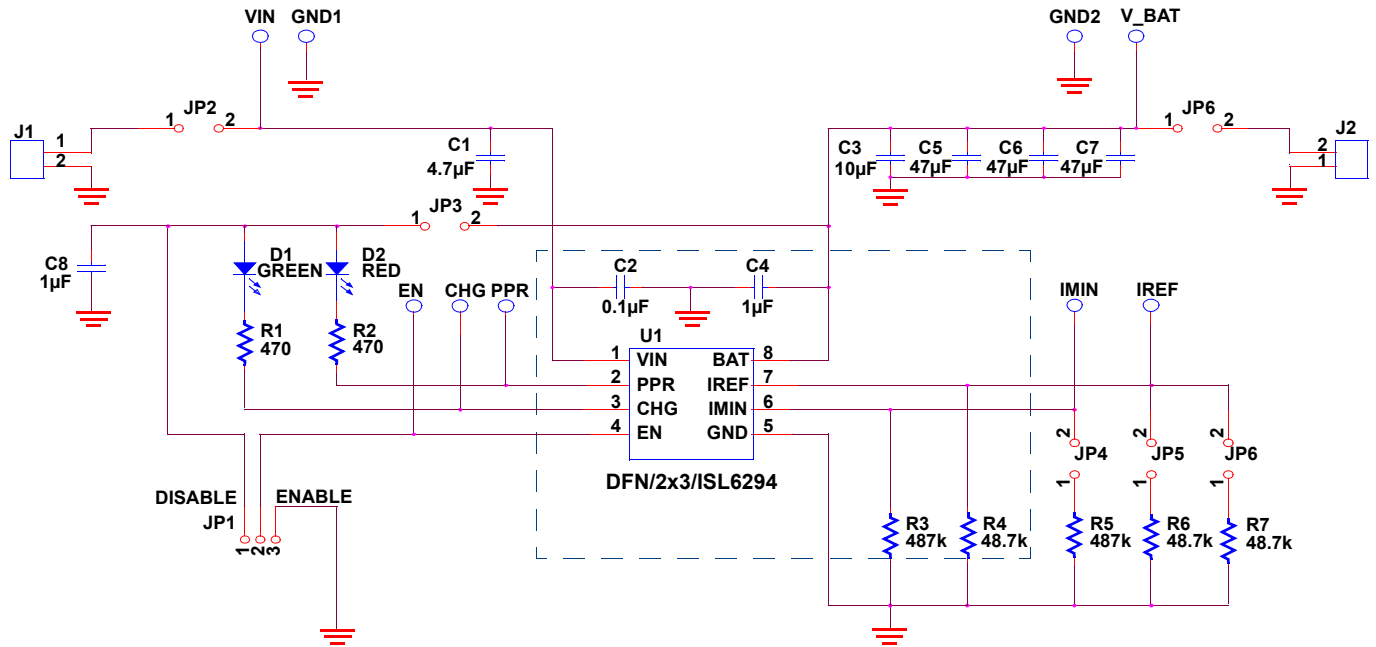
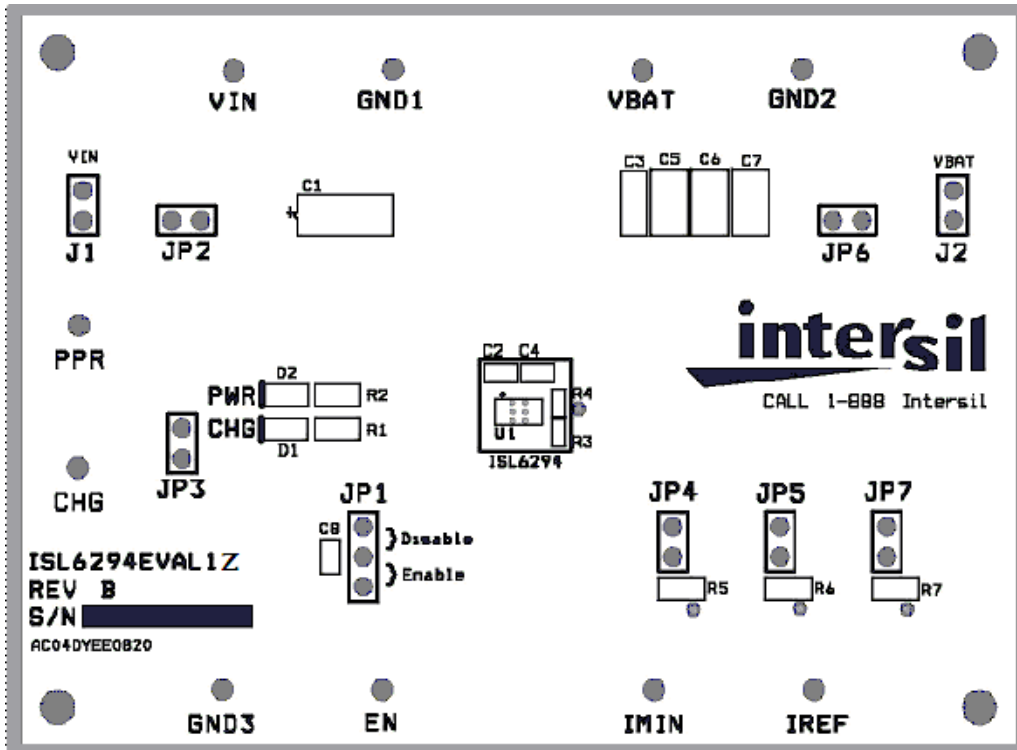


FIGURE 2. SCHEMATIC OF PCB BOARD

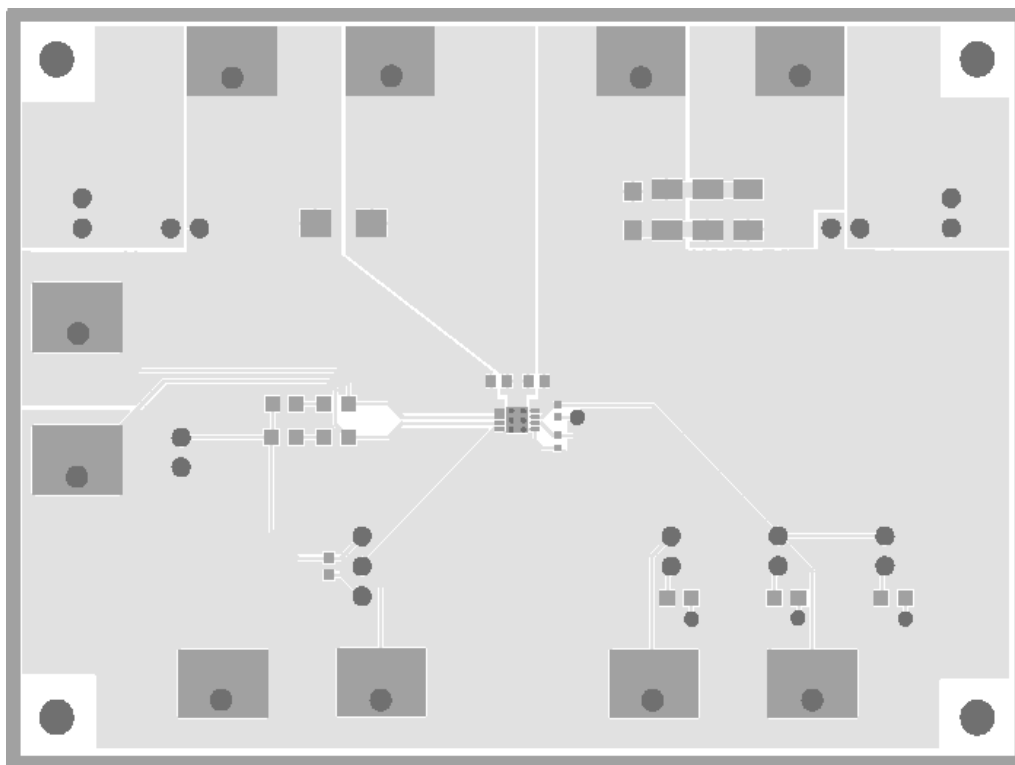
TABLE 2. ISL6294EVAL1Z BILL OF MATERIALS (BOM)

ITEM	QTY	REFERENCE	PART DESCRIPTION	PCB FOOTPRINT	PART NUMBER	VENDOR
1	1	U1	ISL6294 Charger	2x3 DFN	ISL6294	Intersil
2	2	R1, R2	470 $\Omega$ , 5%, 1/8 $\Omega$ Resistor	0805	ERJ-6GEYJ471V	Panasonic
3	1	R3	487k, 1%, 1/16 $\Omega$ Resistor	0402	ERJ-2RKF4873X	Panasonic
4	1	R4	48.7k, 1%, 1/16 $\Omega$ Resistor	0402	ERJ-2RKF4872X	Panasonic
5	1	R5	487k, 1%, 1/8 $\Omega$ Resistor	0805	ERJ-6ENF4873V	Panasonic
6	1	R6	48.7k, 1% 1/8 $\Omega$ Resistor	0805	ERJ-6ENF4872V	Panasonic
8	1	C1	4.7 $\mu$ F, 35V, Tantalum		ECS-T1VC475R	Panasonic
9	1	C2	0.1 $\mu$ F, 50V, X7R Ceramic	0603	C1608X7R1H104K	TDK
10	1	C3	10 $\mu$ F, 6.3V, Tantalum	0603	ECS-T0JY106R	Panasonic
11	2	C4, C8	1.0 $\mu$ F, 6.3V, X5R Ceramic	0603	ECJ-1VB0J105K	Panasonic
12	3	C5, C6, C7	47 $\mu$ F, 6.3V, X5R Ceramic	1210	ECJ-4YB0J476M	Panasonic
13	2	J1, J2	2.54mm Center Header, 2 CKT		22-11-2022	Molex
14	3	VIN, VBAT	Test point, Red		5010	Keystone
15	5	EN, CHG, PPR, IREF, IMIN	Test point, Yellow		5014	Keystone
16	3	GND1, GND2, GND3	Test point, Black		5011	Keystone
17	5	JP2, JP3, JP4, JP5, JP6	2.54mm header, 2 CKT		22-28-4020	Molex
18	2	JP1	2.54mm header, 3 CKT		22-28-4030	Molex
19	1	D1	Green LED	0805	SML-LXT0805GW-TR	Lumex Opto
20	1	D2	Red LED	0805	SML-LXT0805IW-TR	Lumer Opto

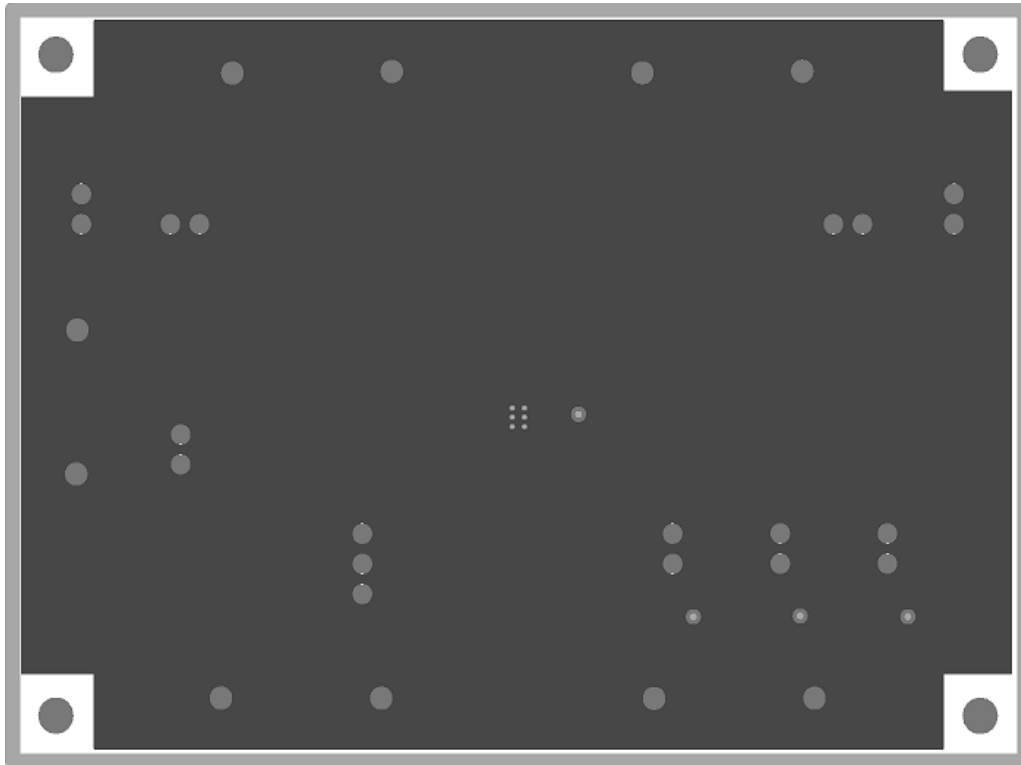
PCB Layout



SILK LAYER



TOP LAYER



**BOTTOM LAYER**

## Notice

1. Descriptions of circuits, software and other related information in this document are provided only to illustrate the operation of semiconductor products and application examples. You are fully responsible for the incorporation or any other use of the circuits, software, and information in the design of your product or system. Renesas Electronics disclaims any and all liability for any losses and damages incurred by you or third parties arising from the use of these circuits, software, or information.
2. Renesas Electronics hereby expressly disclaims any warranties against and liability for infringement or any other claims involving patents, copyrights, or other intellectual property rights of third parties, by or arising from the use of Renesas Electronics products or technical information described in this document, including but not limited to, the product data, drawings, charts, programs, algorithms, and application examples.
3. No license, express, implied or otherwise, is granted hereby under any patents, copyrights or other intellectual property rights of Renesas Electronics or others.
4. You shall not alter, modify, copy, or reverse engineer any Renesas Electronics product, whether in whole or in part. Renesas Electronics disclaims any and all liability for any losses or damages incurred by you or third parties arising from such alteration, modification, copying or reverse engineering.
5. Renesas Electronics products are classified according to the following two quality grades: "Standard" and "High Quality". The intended applications for each Renesas Electronics product depends on the product's quality grade, as indicated below.  
"Standard": Computers; office equipment; communications equipment; test and measurement equipment; audio and visual equipment; home electronic appliances; machine tools; personal electronic equipment; industrial robots; etc.  
"High Quality": Transportation equipment (automobiles, trains, ships, etc.); traffic control (traffic lights); large-scale communication equipment; key financial terminal systems; safety control equipment; etc.  
Unless expressly designated as a high reliability product or a product for harsh environments in a Renesas Electronics data sheet or other Renesas Electronics document, Renesas Electronics products are not intended or authorized for use in products or systems that may pose a direct threat to human life or bodily injury (artificial life support devices or systems; surgical implantations; etc.), or may cause serious property damage (space system; undersea repeaters; nuclear power control systems; aircraft control systems; key plant systems; military equipment; etc.). Renesas Electronics disclaims any and all liability for any damages or losses incurred by you or any third parties arising from the use of any Renesas Electronics product that is inconsistent with any Renesas Electronics data sheet, user's manual or other Renesas Electronics document.
6. When using Renesas Electronics products, refer to the latest product information (data sheets, user's manuals, application notes, "General Notes for Handling and Using Semiconductor Devices" in the reliability handbook, etc.), and ensure that usage conditions are within the ranges specified by Renesas Electronics with respect to maximum ratings, operating power supply voltage range, heat dissipation characteristics, installation, etc. Renesas Electronics disclaims any and all liability for any malfunctions, failure or accident arising out of the use of Renesas Electronics products outside of such specified ranges.
7. Although Renesas Electronics endeavors to improve the quality and reliability of Renesas Electronics products, semiconductor products have specific characteristics, such as the occurrence of failure at a certain rate and malfunctions under certain use conditions. Unless designated as a high reliability product or a product for harsh environments in a Renesas Electronics data sheet or other Renesas Electronics document, Renesas Electronics products are not subject to radiation resistance design. You are responsible for implementing safety measures to guard against the possibility of bodily injury, injury or damage caused by fire, and/or danger to the public in the event of a failure or malfunction of Renesas Electronics products, such as safety design for hardware and software, including but not limited to redundancy, fire control and malfunction prevention, appropriate treatment for aging degradation or any other appropriate measures. Because the evaluation of microcomputer software alone is very difficult and impractical, you are responsible for evaluating the safety of the final products or systems manufactured by you.
8. Please contact a Renesas Electronics sales office for details as to environmental matters such as the environmental compatibility of each Renesas Electronics product. You are responsible for carefully and sufficiently investigating applicable laws and regulations that regulate the inclusion or use of controlled substances, including without limitation, the EU RoHS Directive, and using Renesas Electronics products in compliance with all these applicable laws and regulations. Renesas Electronics disclaims any and all liability for damages or losses occurring as a result of your noncompliance with applicable laws and regulations.
9. Renesas Electronics products and technologies shall not be used for or incorporated into any products or systems whose manufacture, use, or sale is prohibited under any applicable domestic or foreign laws or regulations. You shall comply with any applicable export control laws and regulations promulgated and administered by the governments of any countries asserting jurisdiction over the parties or transactions.
10. It is the responsibility of the buyer or distributor of Renesas Electronics products, or any other party who distributes, disposes of, or otherwise sells or transfers the product to a third party, to notify such third party in advance of the contents and conditions set forth in this document.
11. This document shall not be reprinted, reproduced or duplicated in any form, in whole or in part, without prior written consent of Renesas Electronics.
12. Please contact a Renesas Electronics sales office if you have any questions regarding the information contained in this document or Renesas Electronics products.  
(Note 1) "Renesas Electronics" as used in this document means Renesas Electronics Corporation and also includes its directly or indirectly controlled subsidiaries.  
(Note 2) "Renesas Electronics product(s)" means any product developed or manufactured by or for Renesas Electronics.

(Rev.4.0-1 November 2017)



### SALES OFFICES

Renesas Electronics Corporation

<http://www.renesas.com>

Refer to "<http://www.renesas.com/>" for the latest and detailed information.

**Renesas Electronics America Inc.**  
1001 Murphy Ranch Road, Milpitas, CA 95035, U.S.A.  
Tel: +1-408-432-8888, Fax: +1-408-434-5351

**Renesas Electronics Canada Limited**  
9251 Yonge Street, Suite 8309 Richmond Hill, Ontario Canada L4C 9T3  
Tel: +1-905-237-2004

**Renesas Electronics Europe Limited**  
Dukes Meadow, Millboard Road, Bourne End, Buckinghamshire, SL8 5FH, U.K  
Tel: +44-1628-651-700, Fax: +44-1628-651-804

**Renesas Electronics Europe GmbH**  
Arcadiastrasse 10, 40472 Düsseldorf, Germany  
Tel: +49-211-6503-0, Fax: +49-211-6503-1327

**Renesas Electronics (China) Co., Ltd.**  
Room 1709 Quantum Plaza, No.27 ZhichunLu, Haidian District, Beijing, 100191 P. R. China  
Tel: +86-10-8235-1155, Fax: +86-10-8235-7679

**Renesas Electronics (Shanghai) Co., Ltd.**  
Unit 301, Tower A, Central Towers, 555 Langao Road, Putuo District, Shanghai, 200333 P. R. China  
Tel: +86-21-2226-0888, Fax: +86-21-2226-0999

**Renesas Electronics Hong Kong Limited**  
Unit 1601-1611, 16/F., Tower 2, Grand Century Place, 193 Prince Edward Road West, Mongkok, Kowloon, Hong Kong  
Tel: +852-2265-6688, Fax: +852-2886-9022

**Renesas Electronics Taiwan Co., Ltd.**  
13F, No. 363, Fu Shing North Road, Taipei 10543, Taiwan  
Tel: +886-2-8175-9600, Fax: +886-2-8175-9670

**Renesas Electronics Singapore Pte. Ltd.**  
80 Bendemeer Road, Unit #06-02 Hyflux Innovation Centre, Singapore 339949  
Tel: +65-6213-0200, Fax: +65-6213-0300

**Renesas Electronics Malaysia Sdn.Bhd.**  
Unit 1207, Block B, Menara Amcorp, Amcorp Trade Centre, No. 18, Jln Persiaran Barat, 46050 Petaling Jaya, Selangor Darul Ehsan, Malaysia  
Tel: +60-3-7955-9390, Fax: +60-3-7955-9510

**Renesas Electronics India Pvt. Ltd.**  
No.777C, 100 Feet Road, HAL 2nd Stage, Indiranagar, Bangalore 560 038, India  
Tel: +91-80-67208700, Fax: +91-80-67208777

**Renesas Electronics Korea Co., Ltd.**  
17F, KAMCO Yangjae Tower, 262, Gangnam-daero, Gangnam-gu, Seoul, 06265 Korea  
Tel: +82-2-558-3737, Fax: +82-2-558-5338