

ISL73847MDEMO2Z

The ISL73847MDEMO2Z demonstration board demonstrates the performance of the [ISL73847M](#) dual-phase buck controller in single-phase mode. The board is optimized for a 4.5V to 15V input operation to generate a 25A max, 1V output.

**Features**

- Power-Good LED indicator
- Integrated LDO (VCC)
- Droop regulation set by a single resistor

**Specifications**

- Input voltage supply ( $V_{IN}$ ): 4.5V to 15V
- Preset output voltage ( $V_{OUT}$ ): 1V
- Preset switching frequency: 500kHz
- Maximum load current: 25A
- Preset droop regulation

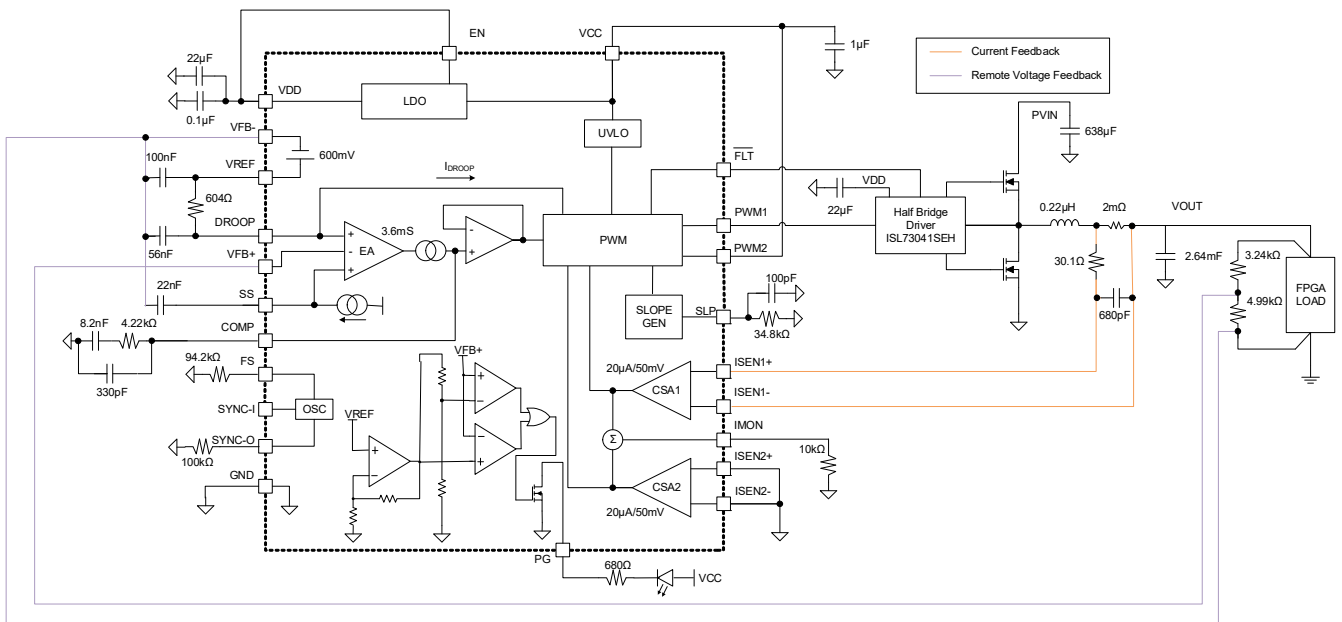


Figure 1. ISL73847MDEMO2Z Block Diagram

## Contents

<b>1. Functional Description</b>	<b>3</b>
1.1 Operating Range	3
1.2 Before Starting	3
1.3 Quick-Start Guide	3
1.4 Changing the Switching Frequency	4
1.5 Soft-Start Adjustment	4
1.6 Droop Regulation	4
1.7 Enabling/Disabling	4
<b>2. Board Design</b>	<b>5</b>
2.1 Layout Guidelines	5
2.2 Schematic Diagrams	6
2.3 Bill of Materials	7
2.4 Board Layout	9
<b>3. Typical Performance Graphs</b>	<b>13</b>
<b>4. Ordering Information</b>	<b>14</b>
<b>5. Revision History</b>	<b>14</b>

# 1. Functional Description

## 1.1 Operating Range

The ISL73847MDEMO2Z board requires one input supply ( $V_{IN}$ ) to operate properly. This supply powers the ISL73847M controller analog supply input, plus additional supporting circuitry and the on-board buck power supply input. The user can set the  $V_{IN}$  supply from 4.5V to 15V. The buck regulator circuit is preset for a 1V output voltage and a switching frequency of 500kHz with a 0.22 $\mu$ H output inductor and 2.64mF output capacitance.

## 1.2 Before Starting

The board does not come with any connectors. To properly use the board, solder connectors to the  $V_{IN}$ , GND, and  $V_{OUT}$  solder pads.

## 1.3 Quick-Start Guide

1. Apply a 4.5V to 15V voltage to  $V_{IN}$  connectors, as shown in [Figure 2](#). To use 4w sense lines from a power supply or a voltmeter to monitor the input voltage, solder a jumper to TP1.
2. If required, a resistor or electronic load can be connected to the  $V_{OUT}$  connectors, as shown in [Figure 2](#). To use 4w sense lines from an electronic load, solder a jumper to TP2.

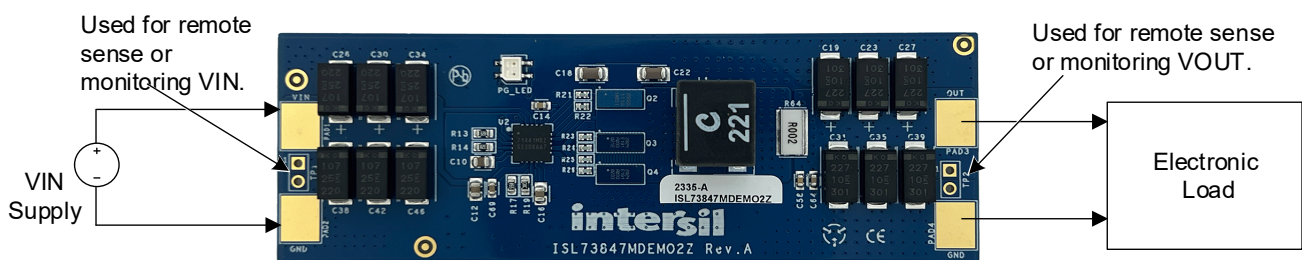


Figure 2. ISL73847MDEMO2Z Board Setup

## 1.4 Changing the Switching Frequency

The ISL73847MDEMO2Z is configured for a 500kHz switching frequency by a 94.2k $\Omega$  pull-down resistor ( $R_2$ ) on the FS pin. The demonstration board includes a 0.22 $\mu$ H inductor and an array of output bypass capacitors for a 2.64mF, which makes up the LC filter. If you need to select a different switching frequency, see [Figure 3](#) for choosing the appropriate  $R_2$  value on FS. For more information about the FS pin, refer to the *ISL73847M Datasheet*.

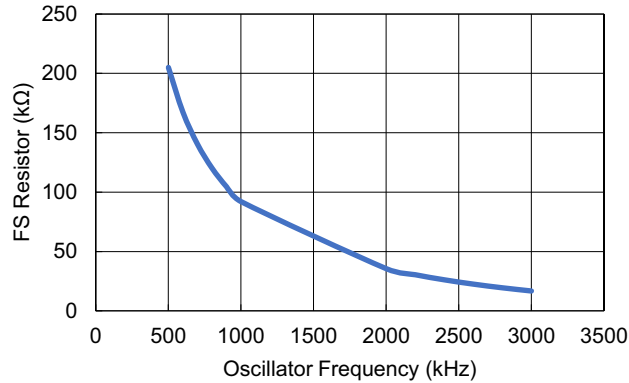


Figure 3.  $R_{FS}$  vs Frequency

## 1.5 Soft-Start Adjustment

The ISL73847MDEMO2Z is configured for a 2ms soft-start (SS) time by a 22nF bypass capacitor ( $C_2$ ) connected to the SS pin. The SS time can be adjusted from 2ms to 200ms by changing the  $C_2$  capacitor. If a different soft-start time is required, use the CSS equation in the *ISL73847M datasheet* to calculate the capacitance given the required soft-start time. For more information on SS, refer to the *ISL73847M datasheet*.

## 1.6 Droop Regulation

The ISL73847MDEMO2Z minimizes peak-to-peak transient response excursions by using a 604 $\Omega$  resistor ( $R_1$ ) connected between the VREF and DROOP pins. If droop regulation is unnecessary, replace the 604 $\Omega$  with a 0 $\Omega$  resistor to short the VREF and DROOP pins together. For more information about the droop regulation, refer to the *ISL73847M datasheet*.

## 1.7 Enabling/Disabling

The ISL73847MDEMO2Z automatically enables when VDD reaches a certain voltage on power-up by a 4.99k $\Omega$  resistor ( $R_6$ ) connected between EN and VDD. For more information about enabling and disabling the controller, refer to the *ISL73847M datasheet*.

## 2. Board Design

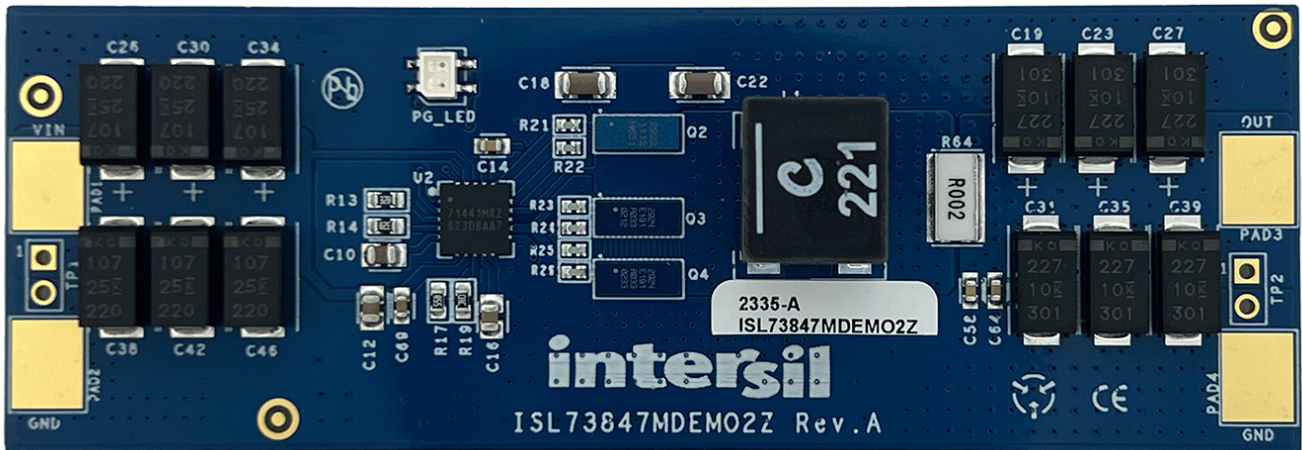


Figure 4. ISL73847MDEMO2Z Evaluation Board (Top)

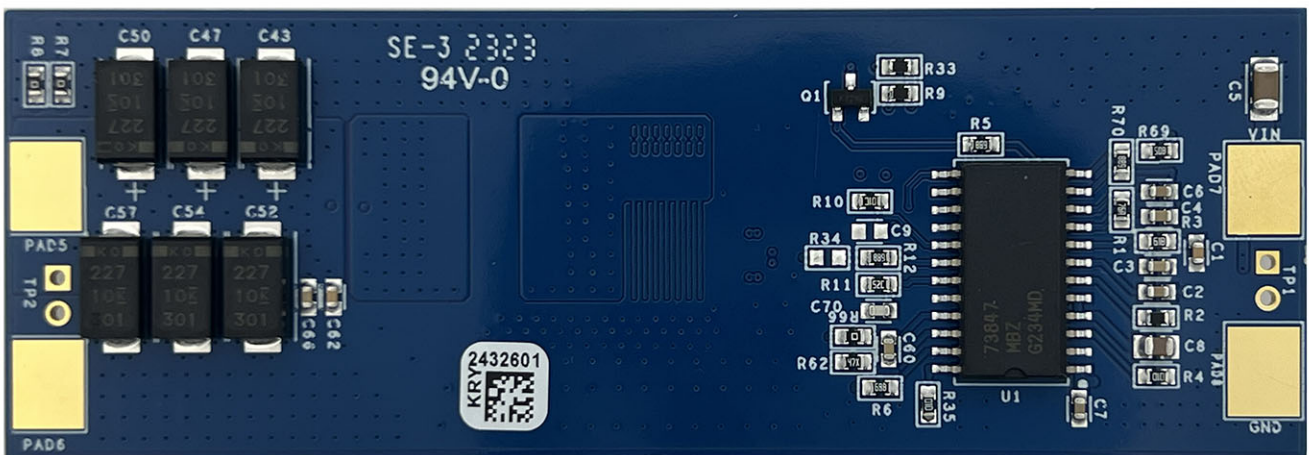


Figure 5. ISL73847MDEMO2Z Evaluation Board (Bottom)

### 2.1 Layout Guidelines

For detailed information about layout guidelines, refer to the *ISL73847M Datasheet*.

## 2.2 Schematic Diagrams

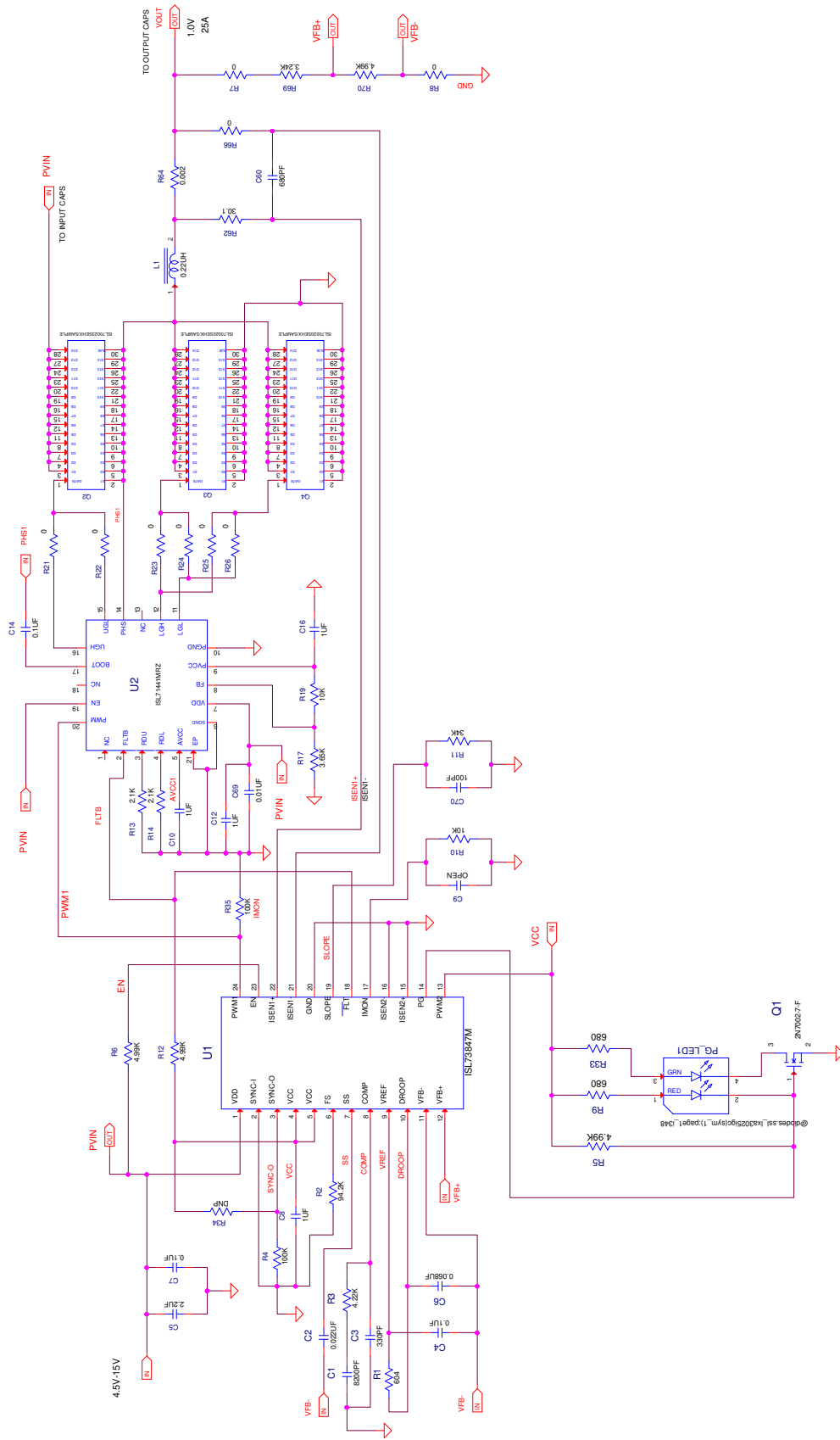


Figure 6. ISL73847MDEMO2Z Schematic (Page 1)

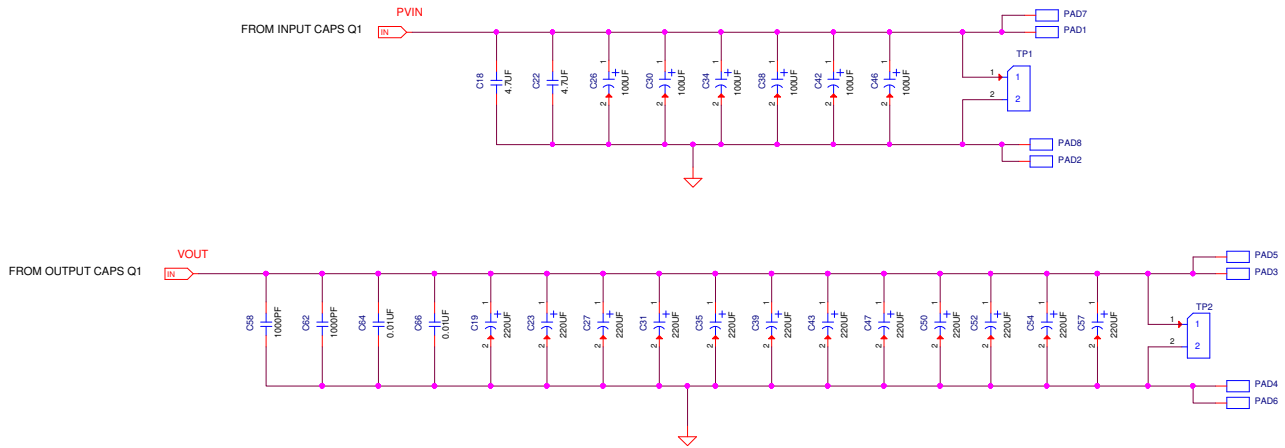


Figure 7. ISL73847MDEMO2Z Schematic (Page 2)

### 2.3 Bill of Materials

Qty	Reference Designator	Description	Manufacturer	Manufacturer Part
1	-	PWB-PCB, ISL73847MDEMO2Z, REVA, ROHS	Imagineering Inc	ISL73847MDEMO2ZREVAPCB
2	C58, C62	CAP, SMD, 0603, 1000pF, 16V, 10%, X7R, ROHS	AVX	0603YC102KAT2A
2	C8, C10	CAP, SMD, 0805, 1.0µF, 25V, 10%, X7R, ROHS	TDK	C2012X7R1E105K125AB
2	C18, C22	CAP, SMD, 1206, 4.7µF, 25V, 10%, X7R, ROHS	TDK	C3216X7R1E475K
2	C64, C66	CAP, SMD, 0603, 0.01µF, 16V, 10%, X7R, ROHS	Yageo	CC0603KRX7R7BB103
1	C2	CAP, SMD, 0603, 0.022µF, 16V, 10%, X7R, ROHS	Yageo	CC0603KRX7R7BB223
1	C70	CAP, SMD, 0603, 100pF, 25V, 10%, X7R, ROHS	Yageo	CC0603KRX7R8BB101
2	C4, C14	CAP, SMD, 0603, 0.1µF, 25V, 10%, X7R, ROHS	Yageo	CC0603KRX7R8BB104
1	C7	CAP, SMD, 0603, 0.1µF, 50V, 10%, X7R, ROHS	Yageo	CC0603KRX7R9BB104
1	C3	CAP, SMD, 0603, 330pF, 50V, 10%, X7R, ROHS	Yageo	CC0603KRX7R9BB331
1	C60	CAP, SMD, 0603, 680pF, 50V, 10%, X7R, ROHS	Yageo	CC0603KRX7R9BB681
1	C6	CAP, SMD, 0603, 0.068µF, 50V, 10%, X7R, ROHS	Yageo	CC0603KRX7R9BB683
2	C12, C16	CAP, SMD, 0805, 1.0µF, 25V, 10%, X7R, ROHS	Samsung	CL21B105KAFNNNE
1	C5	CAP-AEC-Q200, SMD, 1206, 2.2µF, 25V, 10%, X7R, ROHS	Murata	GCJ31MR71E225KA12L



Qty	Reference Designator	Description	Manufacturer	Manufacturer Part
1	C69	CAP, SMD, 0603, 0.01 $\mu$ F, 25V, 10%, X7R, ROHS	Murata	GRM188R71E103KA01D
0	C9	CAP, SMD, 0603, DNP-PLACE HOLDER, ROHS		
6	C26, C30, C34, C38, C42, C46	CAP-TANT, SMD, 7.3 $\times$ 4.3mm, 100 $\mu$ F, 25V, 20%, 30m $\Omega$ at 100MHz, ROHS	Kemet	T521X107M025ATE030
12	C19, C23, C27, C31, C35, C39, C43, C47, C50, C52, C54, C57	CAP-TANT, SMD, 7.3 $\times$ 4.3 $\times$ 2.8, 220 $\mu$ F, 10V, 20%, 6m $\Omega$ , ROHS	Kemet	T530D227M010ATE006
1	C1	CAP, SMD, 0603, 8200pF, 50V, 5%, X7R, ROHS	Vishay/Vitramon	VJ0603Y822JXACW1BC
1	L1	COIL-PWR INDUCT, AEC-Q200, SMD, 11.3 $\times$ 10mm, 0.22 $\mu$ H, 20%, 98.8A, ROHS	Coilcraft	XAL1010-221MEB
1	PG_LED	LED, SMD, 3 $\times$ 2.5mm, 4P, RED/GREEN, 12/20MCD, 2V	Lumex	SSL-LXA3025IGC-TR
2	Q3, Q4	IC-SAMPLE DIE, RAD HARD, 40V GAN FET, ROHS	Renesas Electronics America	ISL70020SEHX/SAMPLE
1	Q2	IC-SAMPLE DIE, RAD HARD, 100V GAN FET, ROHS	Renesas Electronics America	ISL70023SEHX/SAMPLE
1	U2	IC-GAN FET DRIVER, HALF-BRIDGE, 20P, QFN, ROHS	Renesas Electronics America	ISL71441MRZ
1	U1	IC-20V DUAL PHASE CONTROLLER, SMD, 24P, WSOIC, ROHS	Renesas Electronics America	ISL73847MBZ
1	Q1	TRANSISTOR, N-CHANNEL, 3LD, SOT-23, 60V, 115mA, ROHS	Diodes, Inc.	2N7002-7-F
2	R9, R33	RES-AEC-Q200, SMD, 0603, 680 $\Omega$ , 1/10W, 1%, TF, ROHS	Vishay/dale	CRCW0603680RFKEA
0	R34	RES, SMD, 0603, DNP-PLACE HOLDER, ROHS		
1	R64	RES-AEC-Q200, SMD, 2512W, 0.002 $\Omega$ , 3W, 2%, MF, ROHS	Susumu Co., LTD	KRL6432E-M-R002-G-T1
6	R21, R22, R23, R24, R25, R26	RES, SMD, 0402, 0 $\Omega$ , 1/16W, 1%, THINFILM, ANTI-SULFER, ROHS	Vishay/BC Components	MCS04020Z0000ZE000
2	R4, R35	RES, SMD, 0603, 100K, 1/10W, 1%, TF, ROHS	Yageo	RC0603FR-07100KL
2	R10, R19	RES, SMD, 0603, 10K, 1/10W, 1%, TF, ROHS	Yageo	RC0603FR-0710KL



Qty	Reference Designator	Description	Manufacturer	Manufacturer Part
2	R13, R14	RES, SMD, 0603, 2.1K, 1/10W, 1%, TF, ROHS	Yageo	RC0603FR-072K1L
1	R62	RES, SMD, 0603, 30.1Ω, 1/10W, 1%, TF, ROHS	Yageo	RC0603FR-0730R1L
1	R11	RES, SMD, 0603, 34K, 1/10W, 1%, TF, ROHS	Yageo	RC0603FR-0734KL
1	R69	RES, SMD, 0603, 3.24K, 1/10W, 1%, TF, ROHS	Yageo	RC0603FR-073K24L
1	R17	RES, SMD, 0603, 3.65K, 1/10W, 1%, TF, ROHS	Yageo	RC0603FR-073K65L
1	R3	RES, SMD, 0603, 4.22K, 1/10W, 1%, TF, ROHS	Yageo	RC0603FR-074K22L
4	R5, R6, R12, R70	RES, SMD, 0603, 4.99K, 1/10W, 1%, TF, ROHS	Yageo	RC0603FR-074K99L
1	R1	RES, SMD, 0603, 604Ω, 1/10W, 1%, TF, ROHS	Yageo	RC0603FR-07604RL
3	R7, R8, R66	RES, SMD, 0603, 0Ω, 1/10W, TF, ROHS	Yageo	RC0603JR-070RL
1	R2	RES, SMD, 0603, 94.2K, 1/10W, 0.1%, THINFILM, ROHS	Yageo	RT0603BRD0794K2L
0	PAD1-PAD8	DO NOT POPULATE OR PURCHASE	-	-
0	TP1, TP2	DO NOT POPULATE OR PURCHASE	-	-

## 2.4 Board Layout

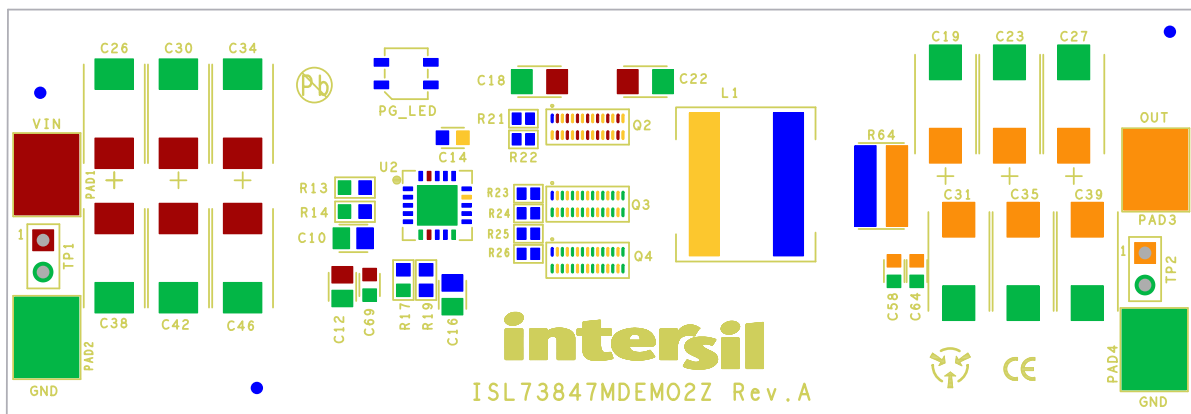


Figure 8. Silkscreen Top Layer

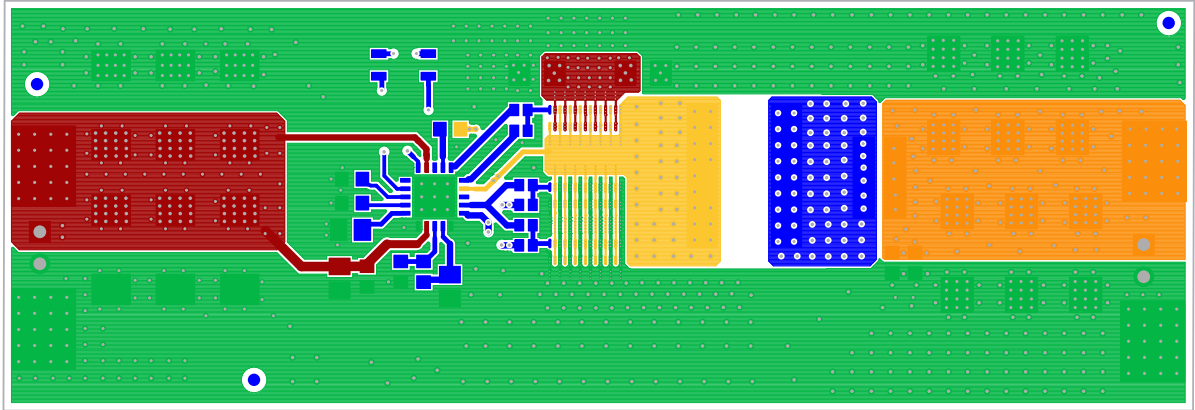


Figure 9. Top Layer

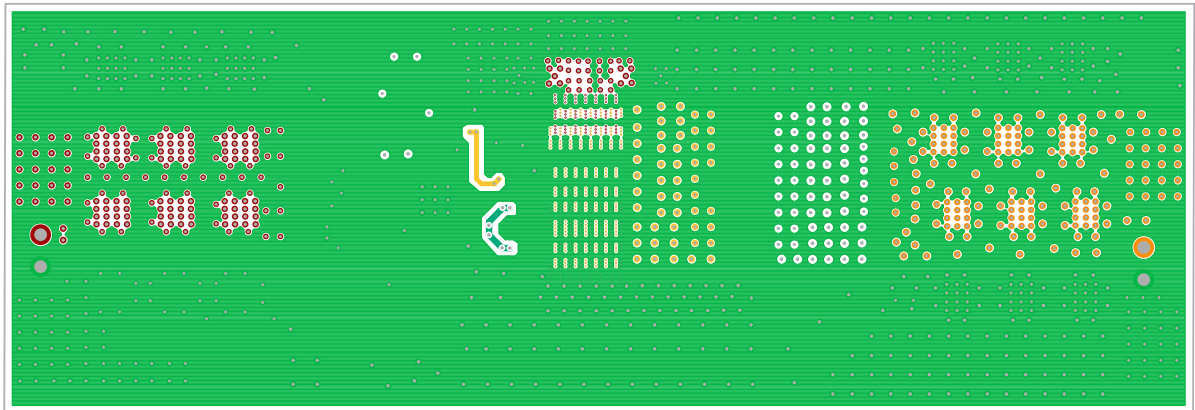


Figure 10. Layer 2

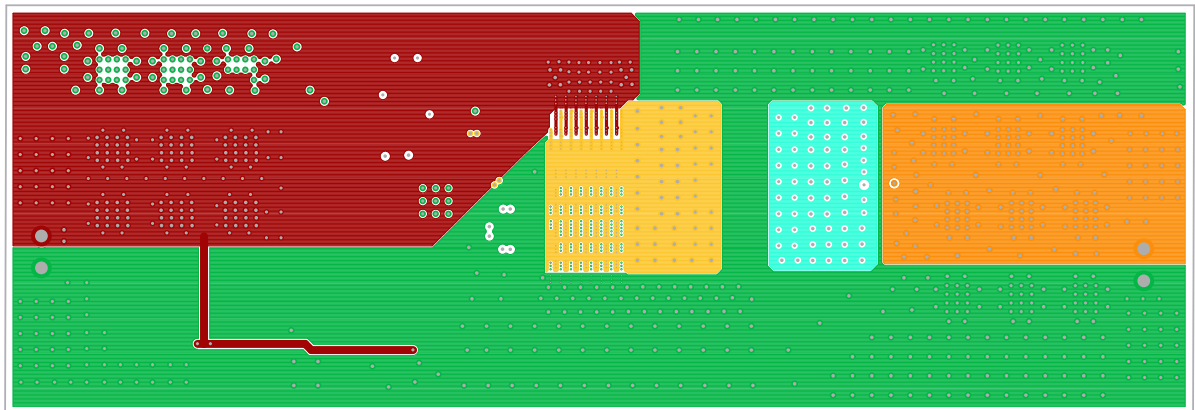


Figure 11. Layer 3

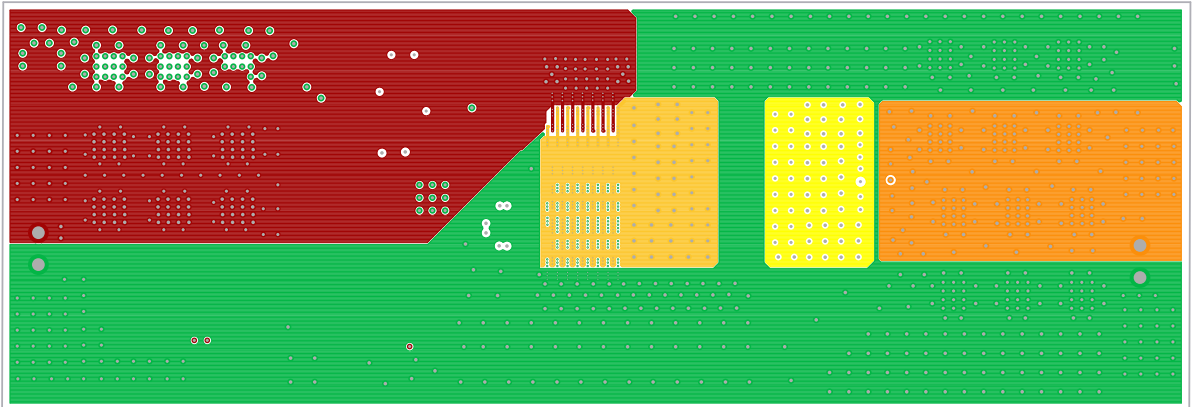


Figure 12. Layer 4

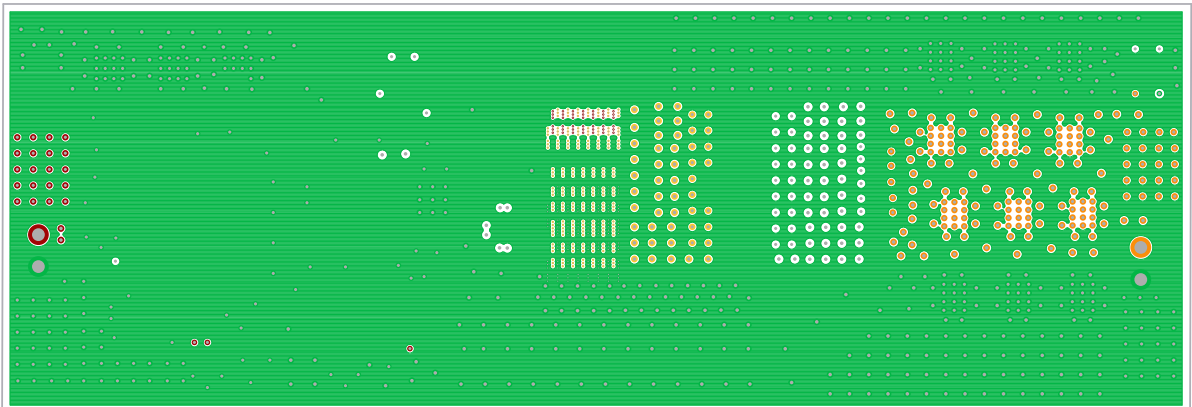


Figure 13. Layer 5

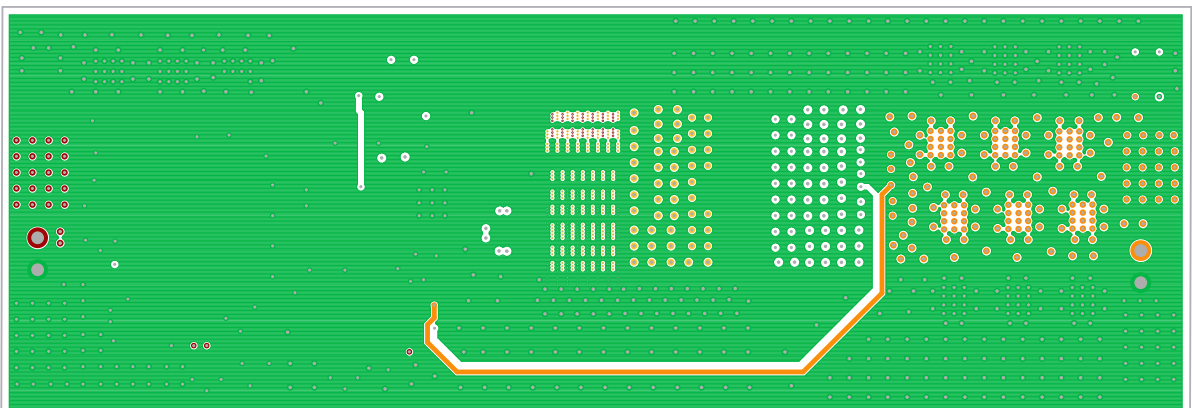


Figure 14. Layer 6

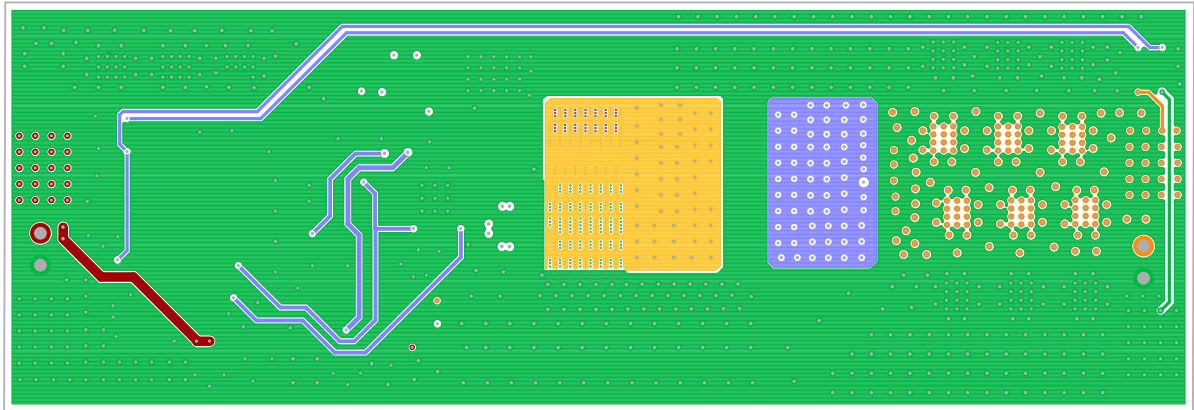


Figure 15. Layer 7

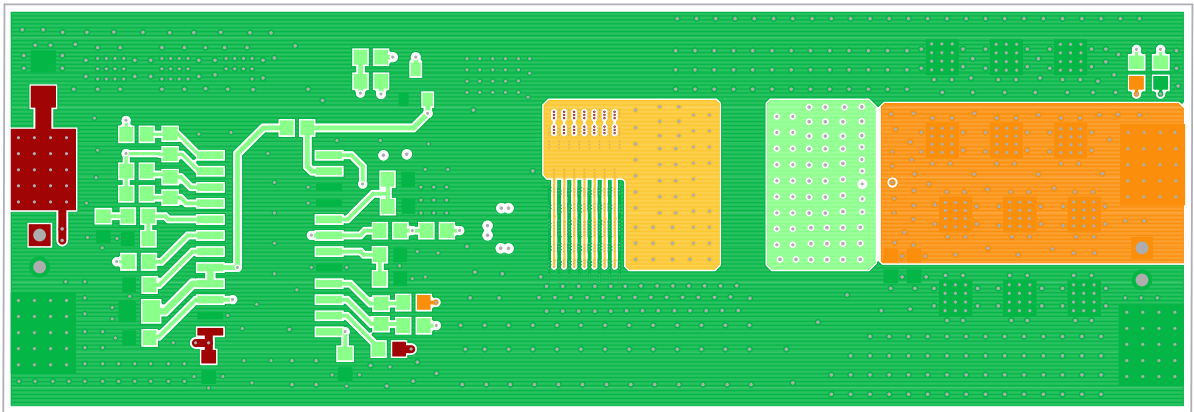


Figure 16. Bottom Layer

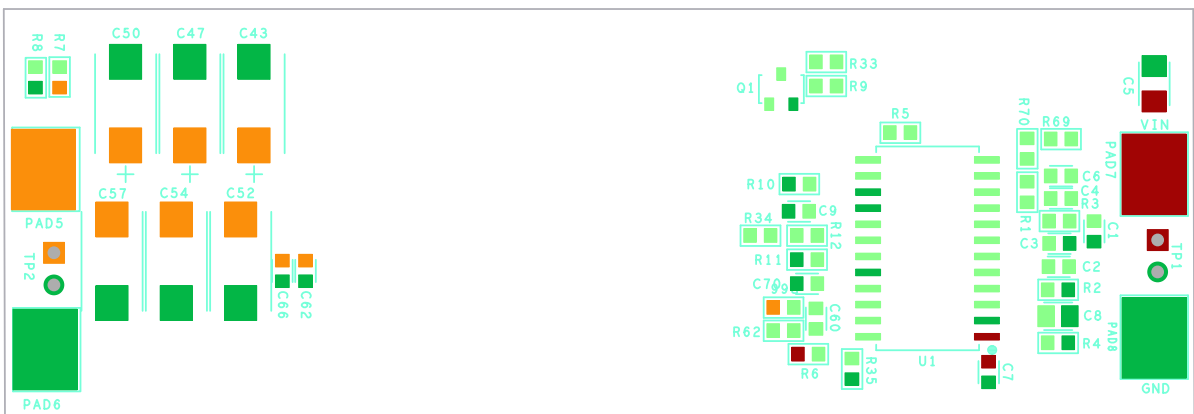


Figure 17. Silkscreen Bottom Layer

### 3. Typical Performance Graphs

Unless otherwise noted,  $V_{OUT} = 1V$ ;  $L_{OUT} = 220nH$ ,  $C_{OUT} = 2.64mF$ ,  $C_{DROOP} = 56nF$ ,  $C_{VREF} = 100nF$ ,  $R_{DROOP} = 604\Omega$ ,  $R_{FS} = 94.2k\Omega$ ,  $C_{SS} = 22nF$ ,  $C_{COMP} = 8.2nF$ ,  $R_{COMP} = 4.22k\Omega$ ,  $C_{POLE} = 330pF$ ,  $C_{VCC} = 1\mu F$ ,  $R_{SLP} = 34.8k\Omega$ ,  $C_{SLP} = 100pF$ ,  $T_A = +25^\circ C$

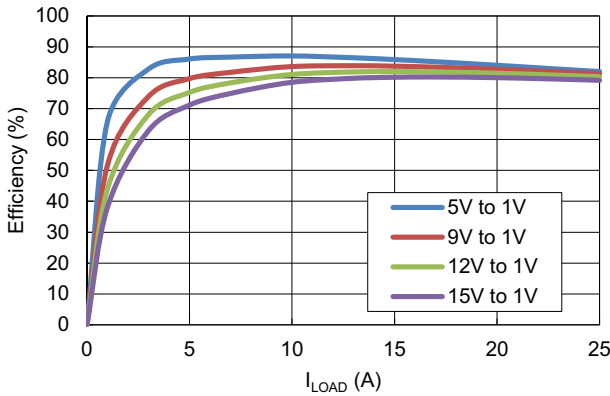


Figure 18. Conversion Efficiency for Various  $V_{IN}$  ( $f_{SW} = 500kHz$ )

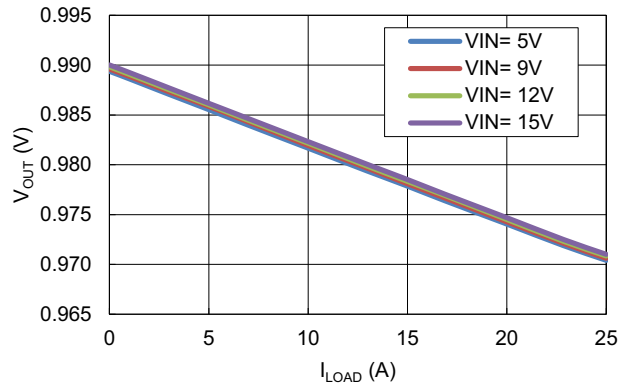


Figure 19. Droop Regulation for Various  $V_{IN}$

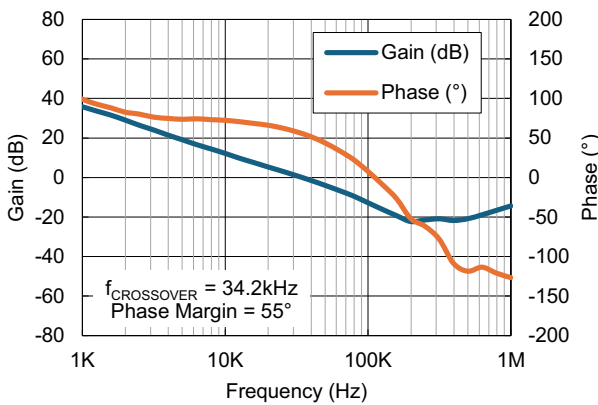


Figure 20. Gain and Phase vs Frequency ( $V_{IN} = 5V$ ,  $I_{LOAD} = 0A$ ,  $f_{SW} = 500kHz$ )

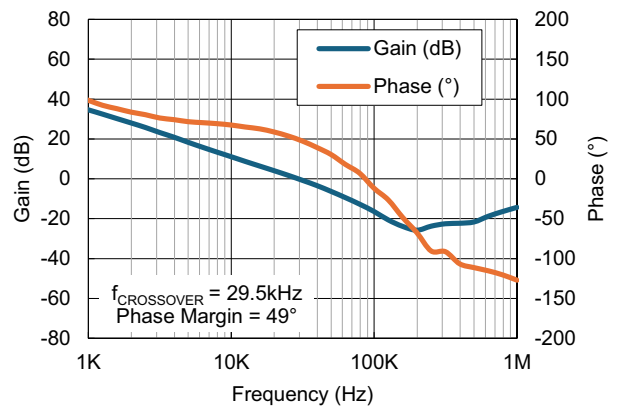


Figure 21. Gain and Phase vs Frequency ( $V_{IN} = 12V$ ,  $I_{LOAD} = 0A$ ,  $f_{SW} = 500kHz$ )

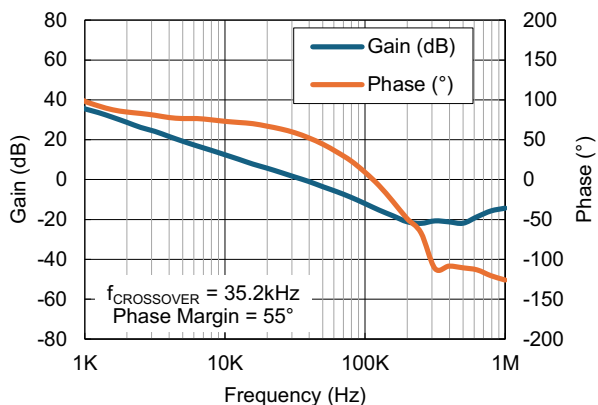


Figure 22. Gain and Phase vs Frequency ( $V_{IN} = 5V$ ,  $I_{LOAD} = 12.5A$ ,  $f_{SW} = 500kHz$ )

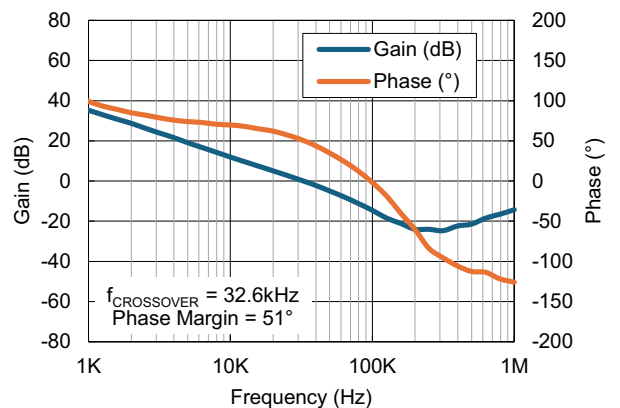


Figure 23. Gain and Phase vs Frequency ( $V_{IN} = 12V$ ,  $I_{LOAD} = 12.5A$ ,  $f_{SW} = 500kHz$ )

Unless otherwise noted,  $V_{OUT} = 1V$ ;  $L_{OUT} = 220nH$ ,  $C_{OUT} = 2.64mF$ ,  $C_{DROOP} = 56nF$ ,  $C_{VREF} = 100nF$ ,  $R_{DROOP} = 604\Omega$ ,  $R_{FS} = 94.2k\Omega$ ,  $C_{SS} = 22nF$ ,  $C_{COMP} = 8.2nF$ ,  $R_{COMP} = 4.22k\Omega$ ,  $C_{POLE} = 330pF$ ,  $C_{VCC} = 1\mu F$ ,  $R_{SLP} = 34.8k\Omega$ ,  $C_{SLP} = 100pF$ ,  $T_A = +25^\circ C$

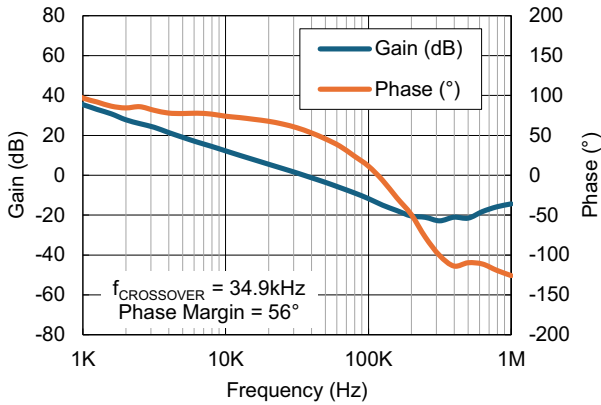


Figure 24. Gain and Phase vs Frequency ( $V_{IN} = 5V$ ,  $I_{LOAD} = 25A$ ,  $f_{SW} = 500kHz$ )

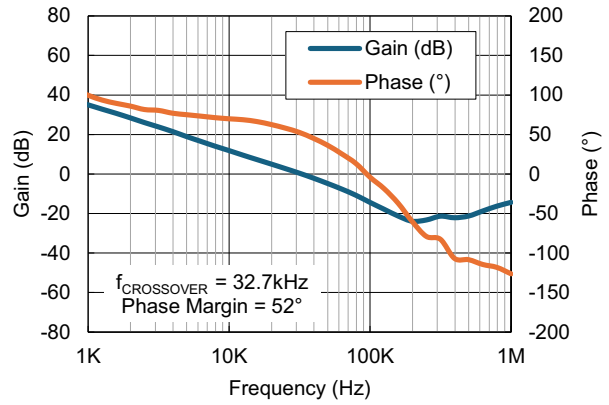


Figure 25. Gain and Phase vs Frequency ( $V_{IN} = 12V$ ,  $I_{LOAD} = 25A$ ,  $f_{SW} = 500kHz$ )

## 4. Ordering Information

Part Number	Description
ISL73847MDEMO2Z	ISL73847M demonstration board

## 5. Revision History

Revision	Date	Description
1.01	May 13, 2024	Added Figures 20 through 25.
1.00	Sep 27, 2023	Initial release

## IMPORTANT NOTICE AND DISCLAIMER

RENESAS ELECTRONICS CORPORATION AND ITS SUBSIDIARIES (“RENESAS”) PROVIDES TECHNICAL SPECIFICATIONS AND RELIABILITY DATA (INCLUDING DATASHEETS), DESIGN RESOURCES (INCLUDING REFERENCE DESIGNS), APPLICATION OR OTHER DESIGN ADVICE, WEB TOOLS, SAFETY INFORMATION, AND OTHER RESOURCES “AS IS” AND WITH ALL FAULTS, AND DISCLAIMS ALL WARRANTIES, EXPRESS OR IMPLIED, INCLUDING, WITHOUT LIMITATION, ANY IMPLIED WARRANTIES OF MERCHANTABILITY, FITNESS FOR A PARTICULAR PURPOSE, OR NON-INFRINGEMENT OF THIRD-PARTY INTELLECTUAL PROPERTY RIGHTS.

These resources are intended for developers who are designing with Renesas products. You are solely responsible for (1) selecting the appropriate products for your application, (2) designing, validating, and testing your application, and (3) ensuring your application meets applicable standards, and any other safety, security, or other requirements. These resources are subject to change without notice. Renesas grants you permission to use these resources only to develop an application that uses Renesas products. Other reproduction or use of these resources is strictly prohibited. No license is granted to any other Renesas intellectual property or to any third-party intellectual property. Renesas disclaims responsibility for, and you will fully indemnify Renesas and its representatives against, any claims, damages, costs, losses, or liabilities arising from your use of these resources. Renesas' products are provided only subject to Renesas' Terms and Conditions of Sale or other applicable terms agreed to in writing. No use of any Renesas resources expands or otherwise alters any applicable warranties or warranty disclaimers for these products.

(Disclaimer Rev.1.01 Jan 2024)

### Corporate Headquarters

TOYOSU FORESIA, 3-2-24 Toyosu,  
Koto-ku, Tokyo 135-0061, Japan  
[www.renesas.com](http://www.renesas.com)

### Trademarks

Renesas and the Renesas logo are trademarks of Renesas Electronics Corporation. All trademarks and registered trademarks are the property of their respective owners.

### Contact Information

For further information on a product, technology, the most up-to-date version of a document, or your nearest sales office, please visit [www.renesas.com/contact-us/](http://www.renesas.com/contact-us/).