

ISL91127IRN-EVZ, ISL91127IRA-EVZ

Evaluation Board User Guide

UG080
Rev 2.00
October 28, 2016

Description

The [ISL91127IR](#) is a high-current buck-boost switching regulator for systems using new battery chemistries. It uses Intersil's proprietary buck-boost algorithm to maintain voltage regulation, while providing excellent efficiency and very low output voltage ripple when the input voltage is close to the output voltage. The ISL91127IRN-EVZ and ISL91127IRA-EVZ platforms allow quick evaluation of the high performance features of the ISL91127IR buck-boost regulator series.

Specifications

The boards are designed to operate at the following operating conditions:

- Input voltage rating from 1.8V to 5.5V
- Resistor programmable output voltage on the ISL91127IRA-EVZ
- Fixed 3.3V output voltage on the ISL91127IRN-EVZ
- Up to 2A output current (PVIN = 2.5V, VOUT = 3.3V)
- 2.5MHz switching frequency
- Operating temperature range: -40°C to +85°C

Key Board Features

- Small, compact design
- Jumper selectable EN (enabled/disabled)
- Jumper selectable MODE (auto-PFM/forced-PWM)
- Connectors, test points and jumpers for easy probing

References

- [ISL91127IR](#) datasheet

Ordering Information

PART NUMBER	DESCRIPTION
ISL91127IRN-EVZ	Evaluation Board for ISL91127IRN
ISL91127IRA-EVZ	Evaluation Board for ISL91127IRA

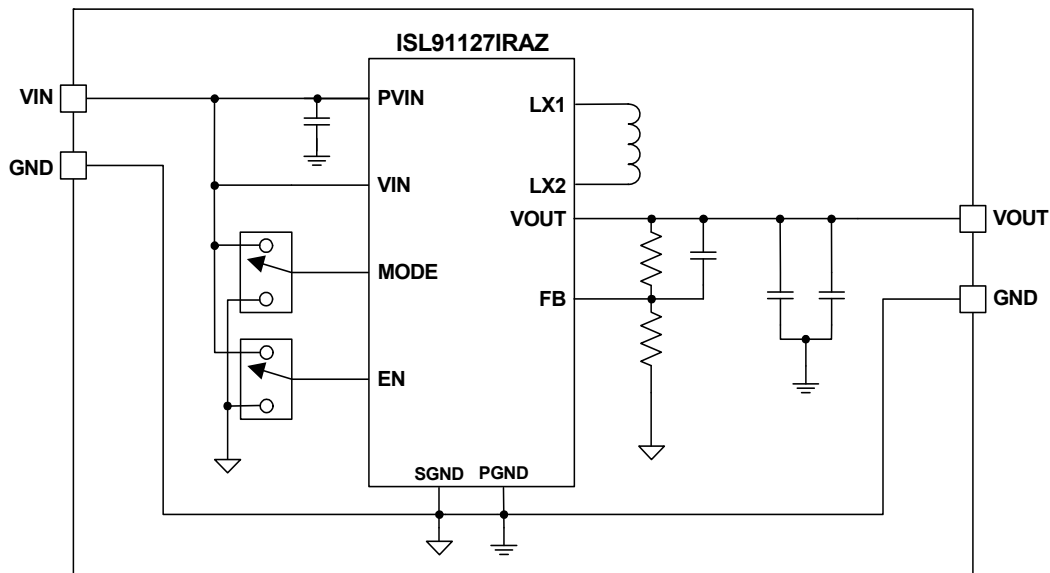


FIGURE 1. ISL91127IRA-EVZ BLOCK DIAGRAM

Functional Description

The ISL91127IRN-EVZ and ISL91127IRA-EVZ provide simple platforms to demonstrate the features of the ISL91127IR buck-boost regulator. The ISL91127IRN-EVZ is for the fixed 3.3V output IC ISL91127IRNZ. The ISL91127IRA-EVZ is for the adjustable output IC ISL91127IRAZ. The evaluation boards have been functionally optimized for best performance of the ISL91127IR IC series. The input power and load connections are provided through multi-pin connectors for high current operation.

The ISL91127IRA-EVZ and ISL91127IRN-EVZ evaluation boards are shown in [Figures 4](#) and [5](#). The board's enable function is controlled by the on-board jumper header J3. Similarly, the Mode function is controlled by the on-board jumper header J4.

The schematic of the ISL91127IRA-EVZ evaluation board is shown in [Figure 6](#) and the schematic of the ISL91127IRN-EVZ is shown in [Figure 7](#). The PCB layout images for all layers are shown in [Figures 8](#) and [9](#). The bill of materials of ISL91127IRA-EVZ is shown in [Table 2](#) and the bill of materials of ISL91127IRN-EVZ is shown in [Table 3](#).

Operating Range

The V_{IN} range of the boards is 1.8V to 5.5V. The V_{OUT} range for the ISL91127IRA-EVZ is 2V to 5V. The I_{OUT} range of the boards is 0A to 2A. The operating ambient temperature range is -40°C to $+85^{\circ}\text{C}$.

Quick Start Guide

For the ISL91127IRA-EVZ board, the default output voltage is set at 3.3V. If other output voltages are desired, resistor R_2 can be set to a desired voltage as shown in [Table 1](#) (use a resistor with 1% accuracy).

Refer to the following Quick Setup Guide to configure and power-up the board for proper operation. During the power-up process, the expected waveforms are shown in [Figures 2](#) and [3](#).

Quick Setup Guide

1. Install jumper on J3, shorting EN to V_{IN} .
2. Install jumper on J4, shorting MODE to V_{IN} .
3. Connect power supply to J2, with voltage setting between 1.8V and 5.5V.
4. Connect electronic load to J1.
5. Place scope probes on the V_{OUT} test point and other test points of interest.
6. Turn on the power supply.
7. Monitor the output voltage start-up sequence on the scope. The waveforms will look similar to that shown in [Figures 2](#) and [3](#).
8. Turn on the electronic load.
9. Measure the output voltage with the voltmeter. The voltage should regulate within datasheet specification limits.

10. To determine efficiency, measure input and output voltages at J1 and J2 headers. The bench power supply can be connected to the P_{VIN} and GND headers on J2. The electronic load can be connected to the V_{OUT} and GND headers on J1. Measure the input and output currents. Calculate efficiency based on these measurements.

TABLE 1. OUTPUT VOLTAGE PROGRAMMING FOR ISL91127IRA-EVZ

DESIRED OUTPUT VOLTAGE (V)	R_2 RESISTOR VALUE (k Ω)
2.0	124
2.5	88.7
3.0	68.1
3.3	60.4
3.4	57.6
4.0	46.4
4.5	40.2
5.0	35.7
5.1	34.8

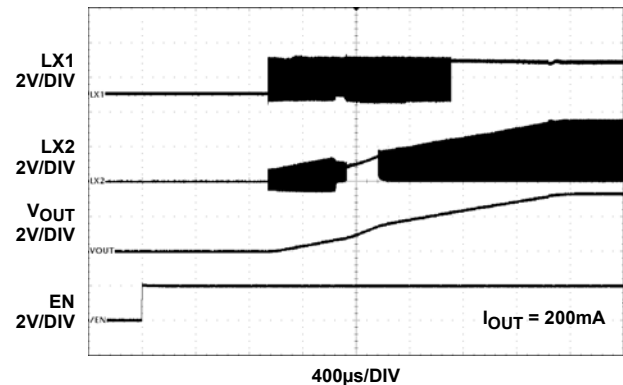


FIGURE 2. ISL91127IR START-UP WITH $V_{IN} = 2\text{V}$ AND $V_{OUT} = 3.3\text{V}$

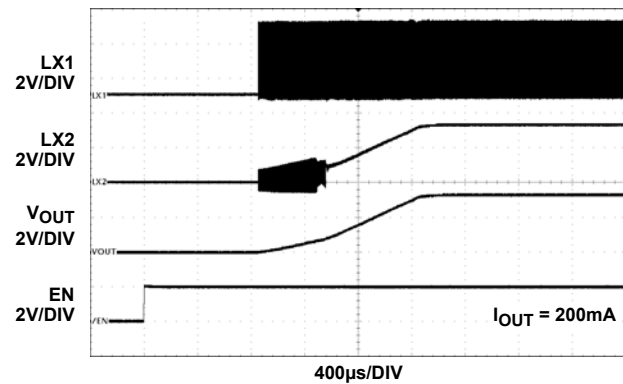


FIGURE 3. ISL91127IR START-UP WITH $V_{IN} = 4\text{V}$ AND $V_{OUT} = 3.3\text{V}$

Evaluation Board Images



FIGURE 4. ISL91127IRA-EVZ TOP VIEW

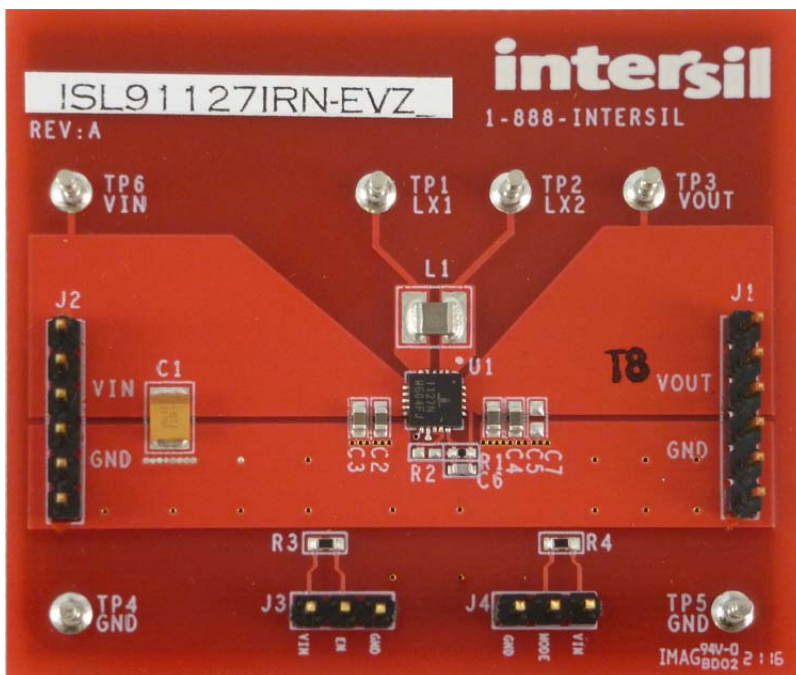


FIGURE 5. ISL91127IRN-EVZ TOP VIEW

TABLE 2. ISL91127IRA-EVZ EVALUATION BOARD BILL OF MATERIALS

ITEM#	QTY	DESIGNATORS	PART TYPE	FOOTPRINT	DESCRIPTION	VENDORS
1	1	U1	ISL91127IRAZ	4mmx4mm QFN	Intersil ISL91127IR Buck-Boost Regulator with Adjustable Output Voltage	INTERSIL
2	1	L1	1 μ H	3.2mmx2.5mmx1.2mm	Power Inductor Toko DFE322512C series, 4.6A (typ), 34m Ω (typ)	TOKO
3	1	C1	150 μ F	7343	Capacitor, Tantalum	ANY
4	2	C2, C3	10 μ F/16V/X5R	0603	Capacitor, Generic	ANY
5	2	C4, C5	22 μ F/10V/X5R	0603	Capacitor, Generic	ANY
6	1	C6	22pF	0402	Capacitor, 56pF 50V 5% NPO 0402	ANY
7	1	C7	DNP	0402		ANY
8	1	R1	187k Ω , 1%	0402	Resistor, Generic	ANY
9	1	R2	60.4k Ω , 1%	0402	Resistor, Generic	ANY
10	2	R3, R4	1M Ω , 5%	0603	Resistor, Generic	ANY
11	2	J1, J2	HDR-6	HDR-6	Vert. Pin Header, 6-Pin, 0.1" Spacing, Generic	ANY
12	2	J3, J4	HDR-3	HDR-3	Vert. Pin Header, 3-Pin, 0.1" Spacing, Generic	ANY
13	6	TP1 to TP6	Power Post		Connectors	ANY

TABLE 3. ISL91127IRN-EVZ EVALUATION BOARD BILL OF MATERIALS

ITEM#	QTY	DESIGNATORS	PART TYPE	FOOTPRINT	DESCRIPTION	VENDORS
1	1	U1	ISL91127IRNZ	4mmx4mm QFN	Intersil ISL91127IR Buck-Boost Regulator with Fixed Output Voltage	INTERSIL
2	1	L1	1 μ H	3.2mmx2.5mmx1.2mm	Power Inductor Toko DFE322512C series, 4.6A (typ), 34m Ω (typ)	TOKO
3	1	C1	150 μ F	7343	Capacitor, Tantalum	ANY
4	2	C2, C3	10 μ F/16V/X5R	0603	Capacitor, Generic	ANY
5	2	C4, C5	22 μ F/10V/X5R	0603	Capacitor, Generic	ANY
6	1	C6	DNP	0402		ANY
7	1	C7	DNP	0402		ANY
8	1	R1	0 Ω	0402	Resistor, Generic	ANY
9	1	R2	DNP	0402		ANY
10	2	R3, R4	1M Ω , 5%	0603	Resistor, Generic	ANY
11	2	J1, J2	HDR-6	HDR-6	Vert. Pin Header, 6-Pin, 0.1" Spacing, Generic	ANY
12	2	J3, J4	HDR-3	HDR-3	Vert. Pin Header, 3-Pin, 0.1" Spacing, Generic	ANY
13	6	TP1 to TP6	Power Post		Connectors	ANY

ISL91127IRA-EVZ, ISL91127IRN-EVZ Schematics

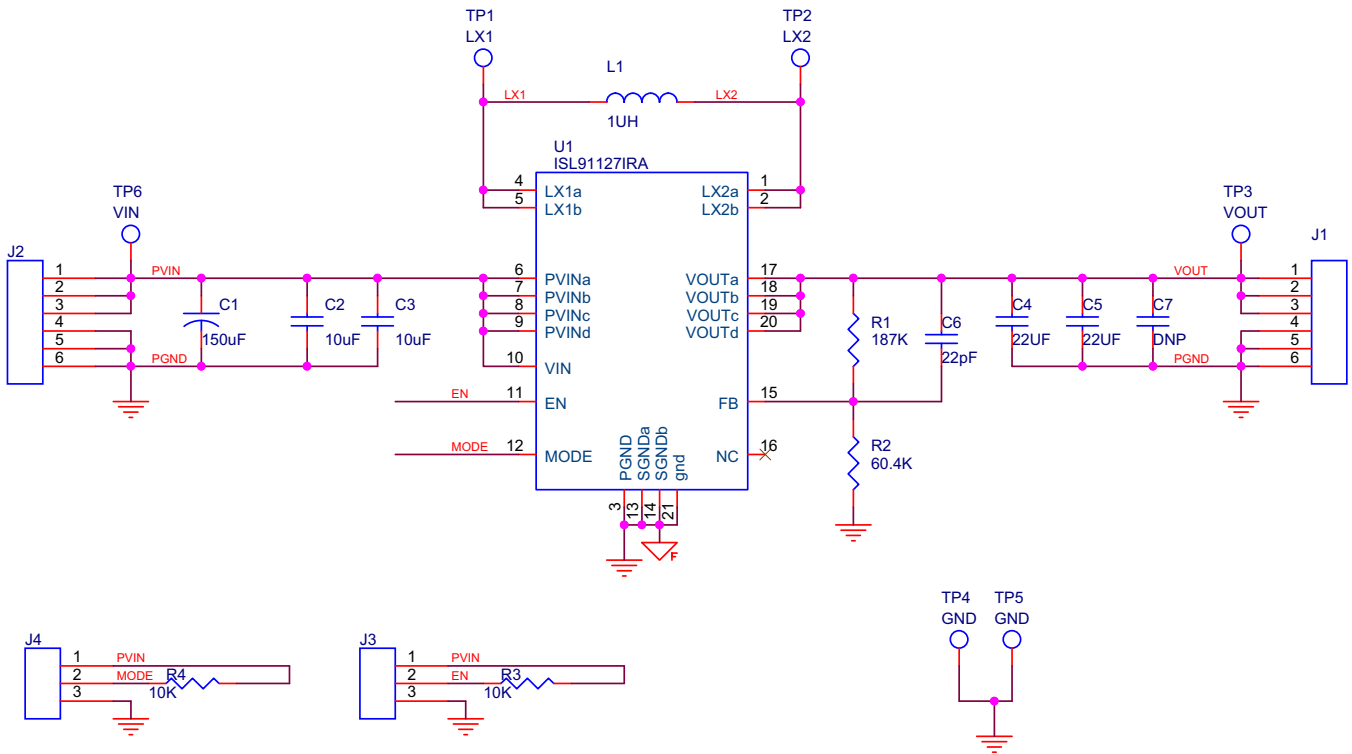


FIGURE 6. ISL91127IRA-EVZ EVALUATION BOARD SCHEMATIC

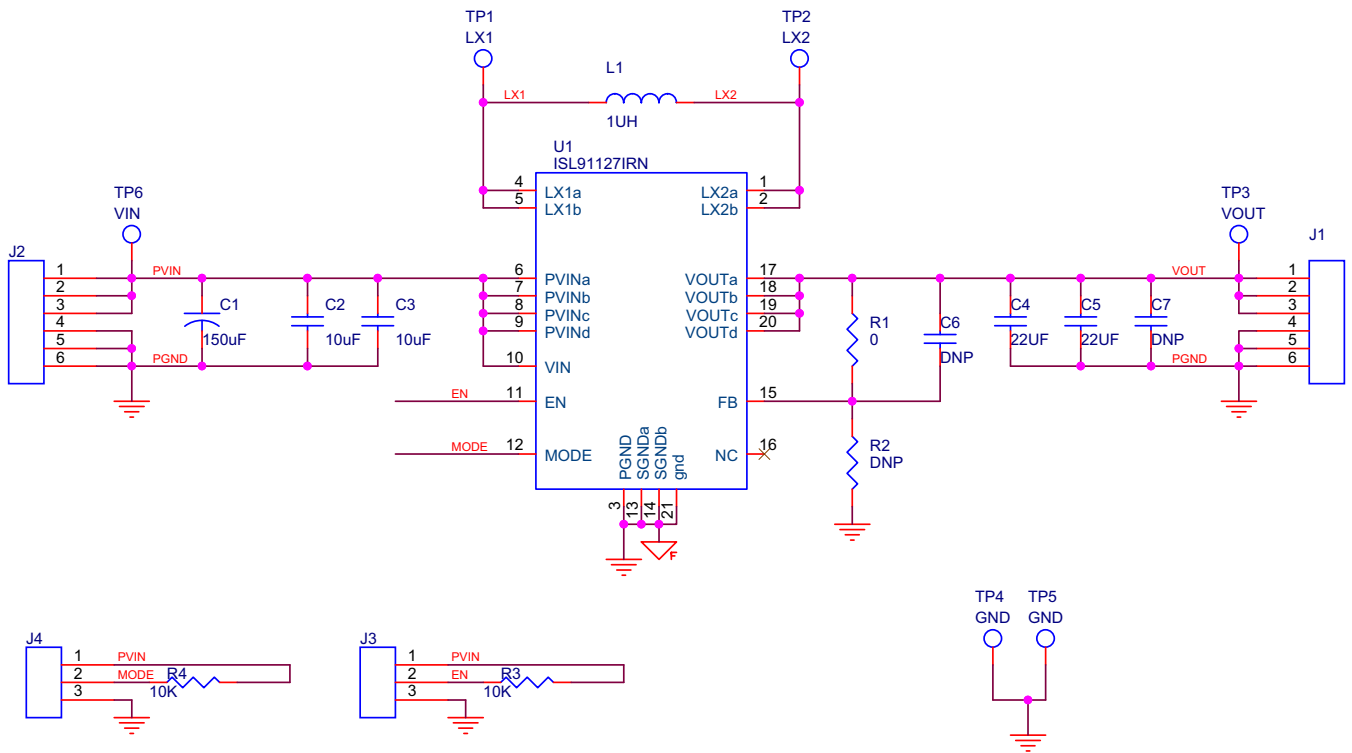


FIGURE 7. ISL91127IRN-EVZ EVALUATION BOARD SCHEMATIC

PCB Layout

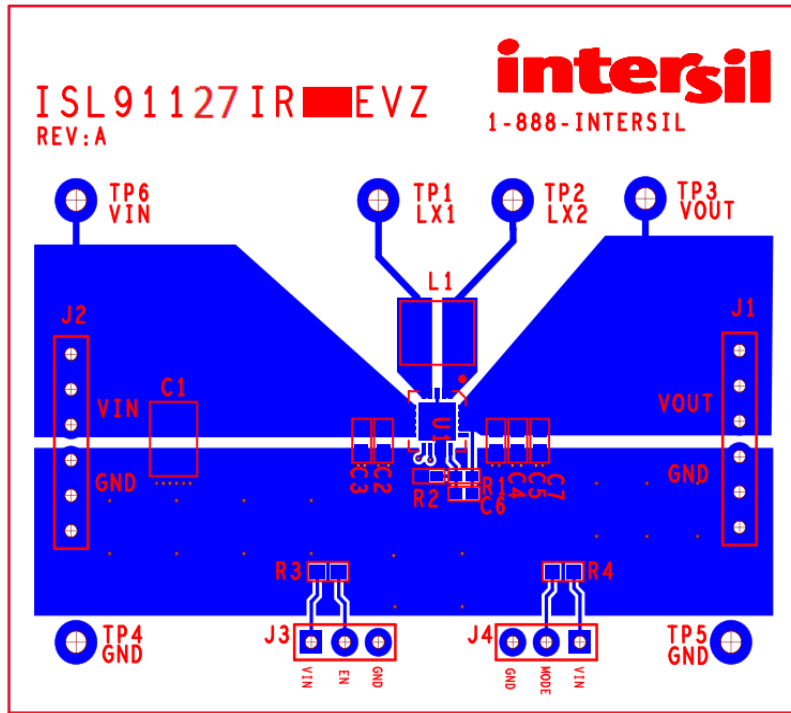


FIGURE 8. TOP LAYER

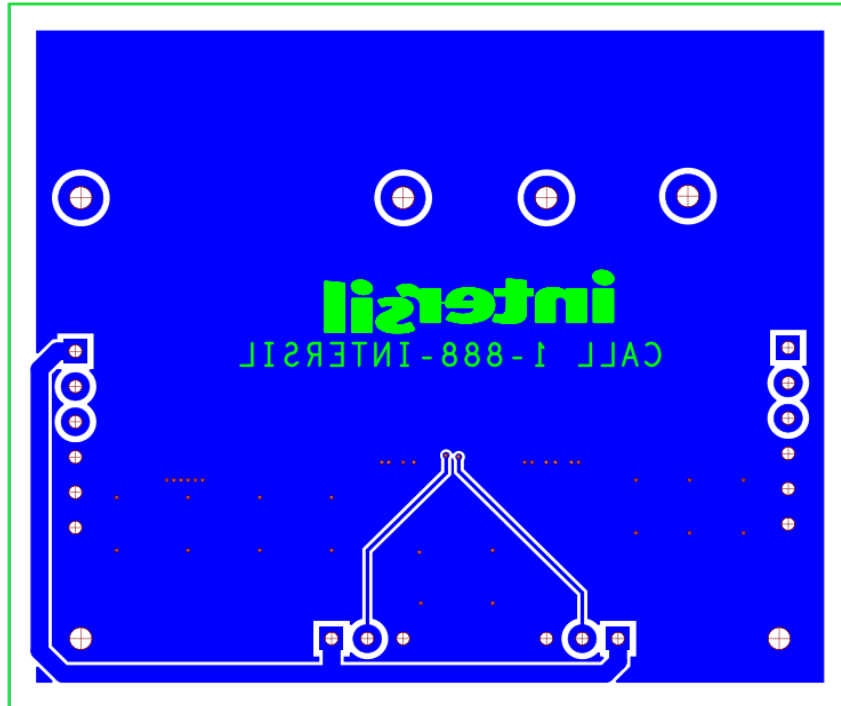


FIGURE 9. BOTTOM LAYER

Notice

1. Descriptions of circuits, software and other related information in this document are provided only to illustrate the operation of semiconductor products and application examples. You are fully responsible for the incorporation or any other use of the circuits, software, and information in the design of your product or system. Renesas Electronics disclaims any and all liability for any losses and damages incurred by you or third parties arising from the use of these circuits, software, or information.
2. Renesas Electronics hereby expressly disclaims any warranties against and liability for infringement or any other claims involving patents, copyrights, or other intellectual property rights of third parties, by or arising from the use of Renesas Electronics products or technical information described in this document, including but not limited to, the product data, drawings, charts, programs, algorithms, and application examples.
3. No license, express, implied or otherwise, is granted hereby under any patents, copyrights or other intellectual property rights of Renesas Electronics or others.
4. You shall not alter, modify, copy, or reverse engineer any Renesas Electronics product, whether in whole or in part. Renesas Electronics disclaims any and all liability for any losses or damages incurred by you or third parties arising from such alteration, modification, copying or reverse engineering.
5. Renesas Electronics products are classified according to the following two quality grades: "Standard" and "High Quality". The intended applications for each Renesas Electronics product depends on the product's quality grade, as indicated below.
"Standard": Computers; office equipment; communications equipment; test and measurement equipment; audio and visual equipment; home electronic appliances; machine tools; personal electronic equipment; industrial robots; etc.
"High Quality": Transportation equipment (automobiles, trains, ships, etc.); traffic control (traffic lights); large-scale communication equipment; key financial terminal systems; safety control equipment; etc.
Unless expressly designated as a high reliability product or a product for harsh environments in a Renesas Electronics data sheet or other Renesas Electronics document, Renesas Electronics products are not intended or authorized for use in products or systems that may pose a direct threat to human life or bodily injury (artificial life support devices or systems; surgical implantations; etc.), or may cause serious property damage (space system; undersea repeaters; nuclear power control systems; aircraft control systems; key plant systems; military equipment; etc.). Renesas Electronics disclaims any and all liability for any damages or losses incurred by you or any third parties arising from the use of any Renesas Electronics product that is inconsistent with any Renesas Electronics data sheet, user's manual or other Renesas Electronics document.
6. When using Renesas Electronics products, refer to the latest product information (data sheets, user's manuals, application notes, "General Notes for Handling and Using Semiconductor Devices" in the reliability handbook, etc.), and ensure that usage conditions are within the ranges specified by Renesas Electronics with respect to maximum ratings, operating power supply voltage range, heat dissipation characteristics, installation, etc. Renesas Electronics disclaims any and all liability for any malfunctions, failure or accident arising out of the use of Renesas Electronics products outside of such specified ranges.
7. Although Renesas Electronics endeavors to improve the quality and reliability of Renesas Electronics products, semiconductor products have specific characteristics, such as the occurrence of failure at a certain rate and malfunctions under certain use conditions. Unless designated as a high reliability product or a product for harsh environments in a Renesas Electronics data sheet or other Renesas Electronics document, Renesas Electronics products are not subject to radiation resistance design. You are responsible for implementing safety measures to guard against the possibility of bodily injury, injury or damage caused by fire, and/or danger to the public in the event of a failure or malfunction of Renesas Electronics products, such as safety design for hardware and software, including but not limited to redundancy, fire control and malfunction prevention, appropriate treatment for aging degradation or any other appropriate measures. Because the evaluation of microcomputer software alone is very difficult and impractical, you are responsible for evaluating the safety of the final products or systems manufactured by you.
8. Please contact a Renesas Electronics sales office for details as to environmental matters such as the environmental compatibility of each Renesas Electronics product. You are responsible for carefully and sufficiently investigating applicable laws and regulations that regulate the inclusion or use of controlled substances, including without limitation, the EU RoHS Directive, and using Renesas Electronics products in compliance with all these applicable laws and regulations. Renesas Electronics disclaims any and all liability for damages or losses occurring as a result of your noncompliance with applicable laws and regulations.
9. Renesas Electronics products and technologies shall not be used for or incorporated into any products or systems whose manufacture, use, or sale is prohibited under any applicable domestic or foreign laws or regulations. You shall comply with any applicable export control laws and regulations promulgated and administered by the governments of any countries asserting jurisdiction over the parties or transactions.
10. It is the responsibility of the buyer or distributor of Renesas Electronics products, or any other party who distributes, disposes of, or otherwise sells or transfers the product to a third party, to notify such third party in advance of the contents and conditions set forth in this document.
11. This document shall not be reprinted, reproduced or duplicated in any form, in whole or in part, without prior written consent of Renesas Electronics.
12. Please contact a Renesas Electronics sales office if you have any questions regarding the information contained in this document or Renesas Electronics products.
(Note 1) "Renesas Electronics" as used in this document means Renesas Electronics Corporation and also includes its directly or indirectly controlled subsidiaries.
(Note 2) "Renesas Electronics product(s)" means any product developed or manufactured by or for Renesas Electronics.

(Rev.4.0-1 November 2017)



SALES OFFICES

Renesas Electronics Corporation

<http://www.renesas.com>

Refer to "<http://www.renesas.com/>" for the latest and detailed information.

Renesas Electronics America Inc.
1001 Murphy Ranch Road, Milpitas, CA 95035, U.S.A.
Tel: +1-408-432-8888, Fax: +1-408-434-5351

Renesas Electronics Canada Limited
9251 Yonge Street, Suite 8309 Richmond Hill, Ontario Canada L4C 9T3
Tel: +1-905-237-2004

Renesas Electronics Europe Limited
Dukes Meadow, Millboard Road, Bourne End, Buckinghamshire, SL8 5FH, U.K.
Tel: +44-1628-651-700, Fax: +44-1628-651-804

Renesas Electronics Europe GmbH
Arcadiastrasse 10, 40472 Düsseldorf, Germany
Tel: +49-211-6503-0, Fax: +49-211-6503-1327

Renesas Electronics (China) Co., Ltd.
Room 1709 Quantum Plaza, No.27 ZhichunLu, Haidian District, Beijing, 100191 P. R. China
Tel: +86-10-8235-1155, Fax: +86-10-8235-7679

Renesas Electronics (Shanghai) Co., Ltd.
Unit 301, Tower A, Central Towers, 555 Langao Road, Putuo District, Shanghai, 200333 P. R. China
Tel: +86-21-2226-0888, Fax: +86-21-2226-0999

Renesas Electronics Hong Kong Limited
Unit 1601-1611, 16/F., Tower 2, Grand Century Place, 193 Prince Edward Road West, Mongkok, Kowloon, Hong Kong
Tel: +852-2265-6688, Fax: +852-2886-9022

Renesas Electronics Taiwan Co., Ltd.
13F, No. 363, Fu Shing North Road, Taipei 10543, Taiwan
Tel: +886-2-8175-9600, Fax: +886-2-8175-9670

Renesas Electronics Singapore Pte. Ltd.
80 Bendemeer Road, Unit #06-02 Hyflux Innovation Centre, Singapore 339949
Tel: +65-6213-0200, Fax: +65-6213-0300

Renesas Electronics Malaysia Sdn.Bhd.
Unit 1207, Block B, Menara Amcorp, Amcorp Trade Centre, No. 18, Jln Persiaran Barat, 46050 Petaling Jaya, Selangor Darul Ehsan, Malaysia
Tel: +60-3-7955-9390, Fax: +60-3-7955-9510

Renesas Electronics India Pvt. Ltd.
No.777C, 100 Feet Road, HAL 2nd Stage, Indiranagar, Bangalore 560 038, India
Tel: +91-80-67208700, Fax: +91-80-67208777

Renesas Electronics Korea Co., Ltd.
17F, KAMCO Yangjae Tower, 262, Gangnam-daero, Gangnam-gu, Seoul, 06265 Korea
Tel: +82-2-558-3737, Fax: +82-2-558-5338