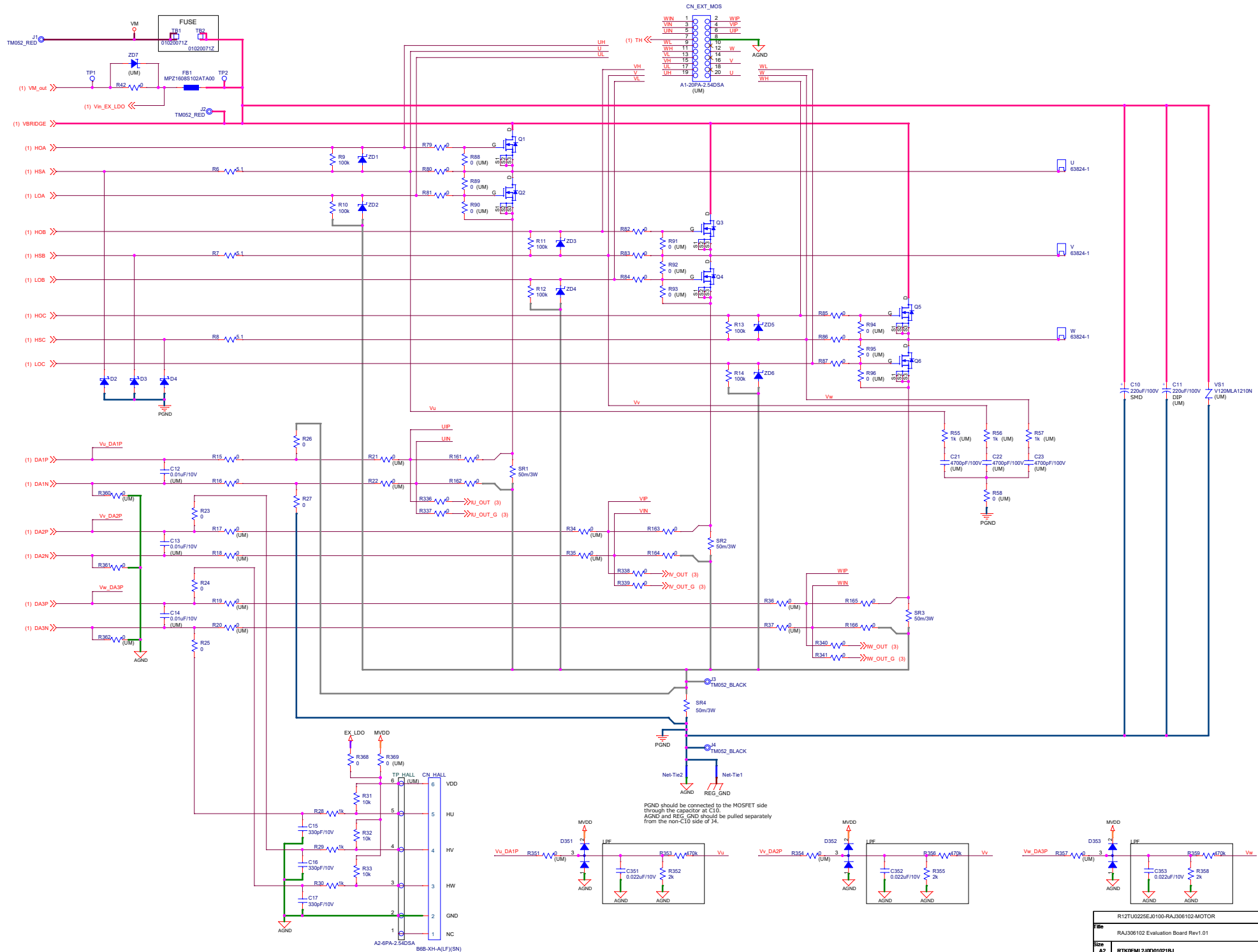
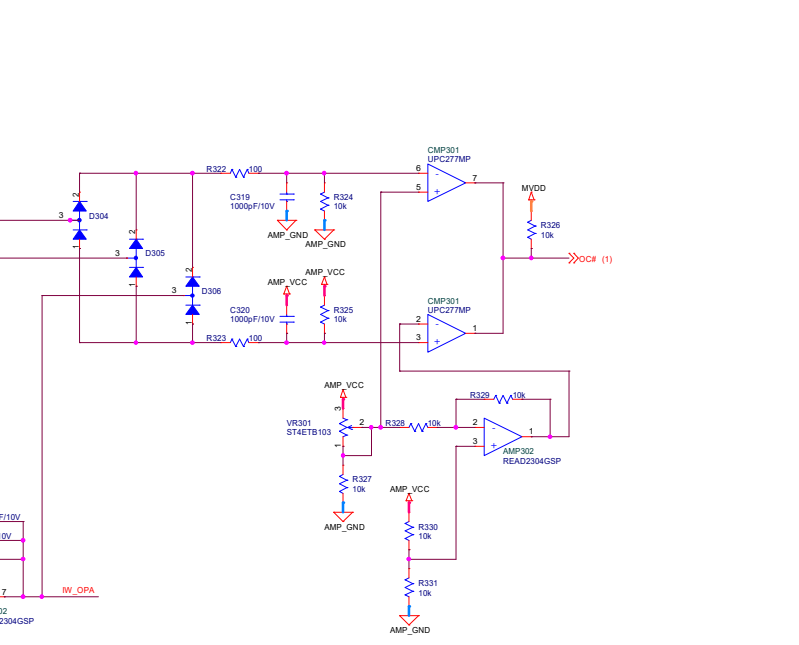
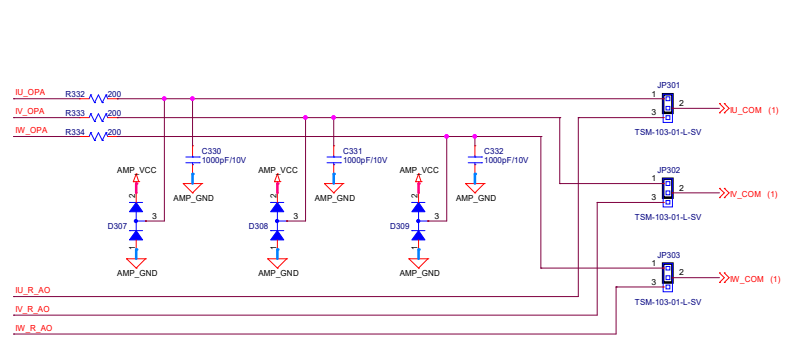
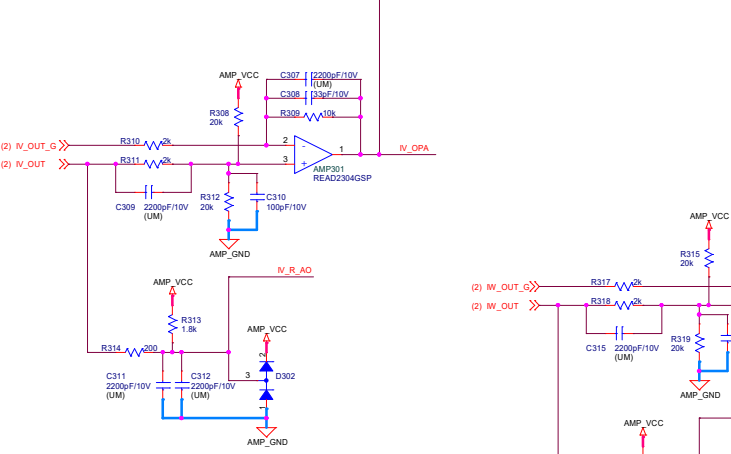
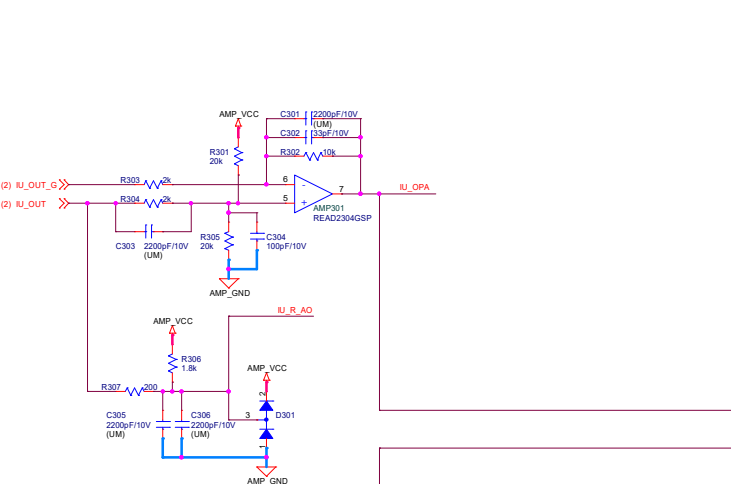
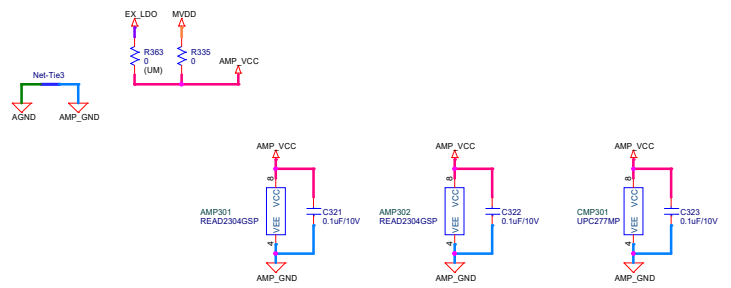


File	R12TU0225EJ0100-RAJ306102-MOTOR	
Size	RAJ306102 Evaluation Board Rev1.01	
A2	RTK0EM2J0D01021BJ	Rev 1.01
Date:	Thursday, November 26, 2021	Sheet 1 of 5



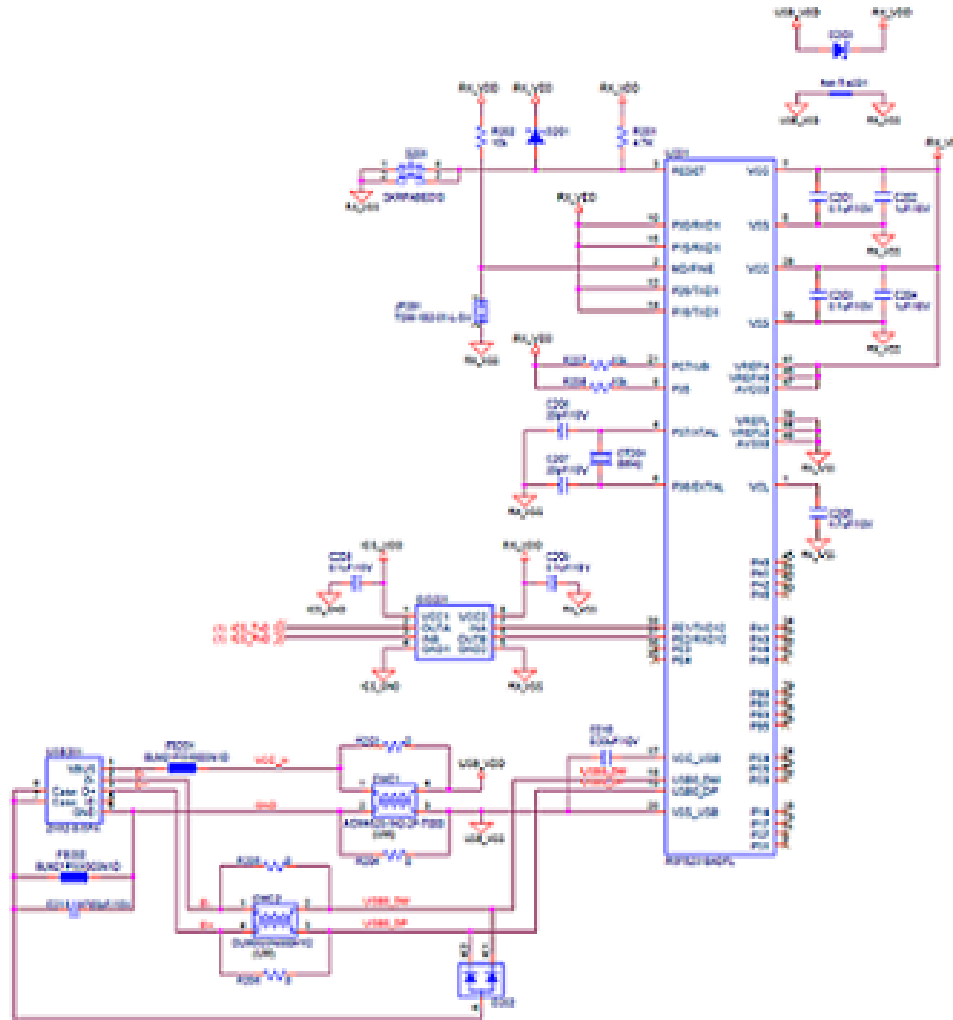
PGND should be connected to the MOSFET side through the capacitor at C10. AGND and REG_GND should be pulled separately from the non-C10 side of J4.

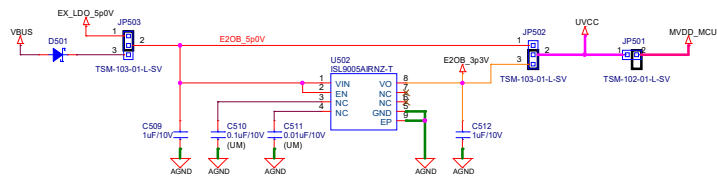
R12TU0225EJ0100-RAJ306102-MOTOR		
File	RAJ306102 Evaluation Board Rev1.01	
Size	RTK0EM12J00D1021BJ	Rev
A2		1.01
Date:	Thursday, November 26, 2021	Sheet
	2	of 5



R12TU0225EJ0100-RAJ306102-MOTOR		
File	RAJ306102 Evaluation Board Rev1.01	
Size	RTK0EM1.2JDD01021BJ	
Rev	1.01	
Date:	Thursday, November 26, 2021	Sheet 3 of 5

The RMWB host circuit is not public.





The E2 Lite host circuit is not public.

