

To our customers,

Old Company Name in Catalogs and Other Documents

On April 1st, 2010, NEC Electronics Corporation merged with Renesas Technology Corporation, and Renesas Electronics Corporation took over all the business of both companies. Therefore, although the old company name remains in this document, it is a valid Renesas Electronics document. We appreciate your understanding.

Renesas Electronics website: <http://www.renesas.com>

April 1st, 2010
Renesas Electronics Corporation

Issued by: Renesas Electronics Corporation (<http://www.renesas.com>)

Send any inquiries to <http://www.renesas.com/inquiry>.

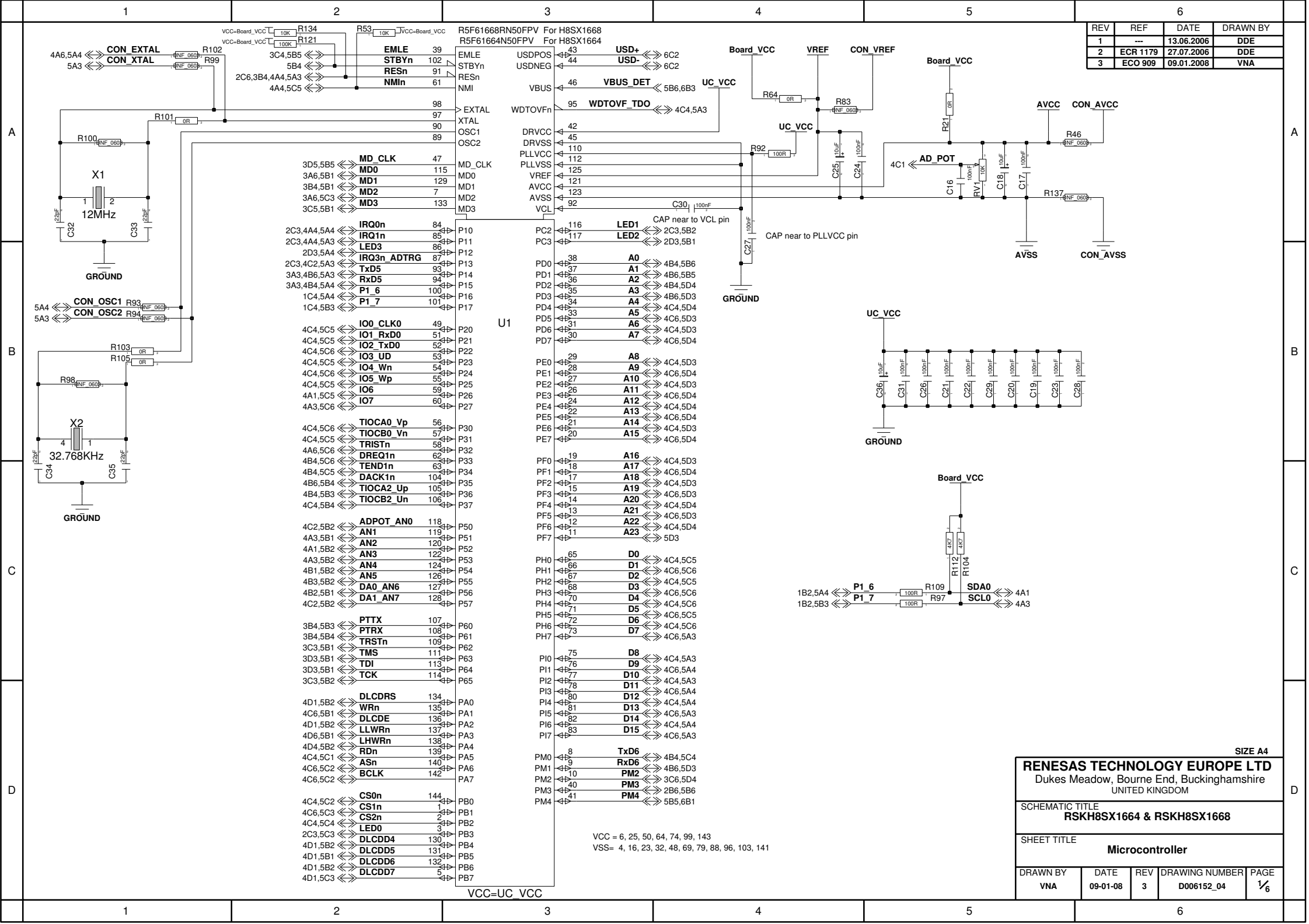
Notice

1. All information included in this document is current as of the date this document is issued. Such information, however, is subject to change without any prior notice. Before purchasing or using any Renesas Electronics products listed herein, please confirm the latest product information with a Renesas Electronics sales office. Also, please pay regular and careful attention to additional and different information to be disclosed by Renesas Electronics such as that disclosed through our website.
2. Renesas Electronics does not assume any liability for infringement of patents, copyrights, or other intellectual property rights of third parties by or arising from the use of Renesas Electronics products or technical information described in this document. No license, express, implied or otherwise, is granted hereby under any patents, copyrights or other intellectual property rights of Renesas Electronics or others.
3. You should not alter, modify, copy, or otherwise misappropriate any Renesas Electronics product, whether in whole or in part.
4. Descriptions of circuits, software and other related information in this document are provided only to illustrate the operation of semiconductor products and application examples. You are fully responsible for the incorporation of these circuits, software, and information in the design of your equipment. Renesas Electronics assumes no responsibility for any losses incurred by you or third parties arising from the use of these circuits, software, or information.
5. When exporting the products or technology described in this document, you should comply with the applicable export control laws and regulations and follow the procedures required by such laws and regulations. You should not use Renesas Electronics products or the technology described in this document for any purpose relating to military applications or use by the military, including but not limited to the development of weapons of mass destruction. Renesas Electronics products and technology may not be used for or incorporated into any products or systems whose manufacture, use, or sale is prohibited under any applicable domestic or foreign laws or regulations.
6. Renesas Electronics has used reasonable care in preparing the information included in this document, but Renesas Electronics does not warrant that such information is error free. Renesas Electronics assumes no liability whatsoever for any damages incurred by you resulting from errors in or omissions from the information included herein.
7. Renesas Electronics products are classified according to the following three quality grades: “Standard”, “High Quality”, and “Specific”. The recommended applications for each Renesas Electronics product depends on the product’s quality grade, as indicated below. You must check the quality grade of each Renesas Electronics product before using it in a particular application. You may not use any Renesas Electronics product for any application categorized as “Specific” without the prior written consent of Renesas Electronics. Further, you may not use any Renesas Electronics product for any application for which it is not intended without the prior written consent of Renesas Electronics. Renesas Electronics shall not be in any way liable for any damages or losses incurred by you or third parties arising from the use of any Renesas Electronics product for an application categorized as “Specific” or for which the product is not intended where you have failed to obtain the prior written consent of Renesas Electronics. The quality grade of each Renesas Electronics product is “Standard” unless otherwise expressly specified in a Renesas Electronics data sheets or data books, etc.
 - “Standard”: Computers; office equipment; communications equipment; test and measurement equipment; audio and visual equipment; home electronic appliances; machine tools; personal electronic equipment; and industrial robots.
 - “High Quality”: Transportation equipment (automobiles, trains, ships, etc.); traffic control systems; anti-disaster systems; anti-crime systems; safety equipment; and medical equipment not specifically designed for life support.
 - “Specific”: Aircraft; aerospace equipment; submersible repeaters; nuclear reactor control systems; medical equipment or systems for life support (e.g. artificial life support devices or systems), surgical implantations, or healthcare intervention (e.g. excision, etc.), and any other applications or purposes that pose a direct threat to human life.
8. You should use the Renesas Electronics products described in this document within the range specified by Renesas Electronics, especially with respect to the maximum rating, operating supply voltage range, movement power voltage range, heat radiation characteristics, installation and other product characteristics. Renesas Electronics shall have no liability for malfunctions or damages arising out of the use of Renesas Electronics products beyond such specified ranges.
9. Although Renesas Electronics endeavors to improve the quality and reliability of its products, semiconductor products have specific characteristics such as the occurrence of failure at a certain rate and malfunctions under certain use conditions. Further, Renesas Electronics products are not subject to radiation resistance design. Please be sure to implement safety measures to guard them against the possibility of physical injury, and injury or damage caused by fire in the event of the failure of a Renesas Electronics product, such as safety design for hardware and software including but not limited to redundancy, fire control and malfunction prevention, appropriate treatment for aging degradation or any other appropriate measures. Because the evaluation of microcomputer software alone is very difficult, please evaluate the safety of the final products or system manufactured by you.
10. Please contact a Renesas Electronics sales office for details as to environmental matters such as the environmental compatibility of each Renesas Electronics product. Please use Renesas Electronics products in compliance with all applicable laws and regulations that regulate the inclusion or use of controlled substances, including without limitation, the EU RoHS Directive. Renesas Electronics assumes no liability for damages or losses occurring as a result of your noncompliance with applicable laws and regulations.
11. This document may not be reproduced or duplicated, in any form, in whole or in part, without prior written consent of Renesas Electronics.
12. Please contact a Renesas Electronics sales office if you have any questions regarding the information contained in this document or Renesas Electronics products, or if you have any other inquiries.

(Note 1) “Renesas Electronics” as used in this document means Renesas Electronics Corporation and also includes its majority-owned subsidiaries.

(Note 2) “Renesas Electronics product(s)” means any product developed or manufactured by or for Renesas Electronics.

REV	REF	DATE	DRAWN BY
1	---	13.06.2006	DDE
2	ECR 1179	27.07.2006	DDE
3	ECO 909	09.01.2008	VNA



R5F61668RN50FPV For H8SX1668		R5F61664N50FPV For H8SX1664	
EMLE	39	USDPOS	43
STBYn	102	USD-	44
RESn	91	USD+	6C2
NMIIn	61	USD-	6C2
		VBUS	46
		VBUS_DET	5B6,6B3
		WDTOVFn	95
		WDTOVF_TDO	4C4,5A3
		DRVCC	42
		DRVSS	45
		PLLVCC	110
		PLLVSS	112
		VREF	125
		AVCC	121
		AVSS	123
		VCL	92
			92
MD_CLK	47	MD_CLK	47
MD0	115	MD0	115
MD1	129	MD1	129
MD2	7	MD2	7
MD3	133	MD3	133
IRQ0n	84	IRQ0n	84
IRQ1n	85	IRQ1n	85
LED3	86	LED3	86
IRQ3n_ADTRG	87	IRQ3n_ADTRG	87
TxD5	93	TxD5	93
RxD5	94	RxD5	94
P1_6	100	P1_6	100
P1_7	101	P1_7	101
		IO0_CLK0	49
		IO1_RxD0	51
		IO2_TxD0	52
		IO3_UD	53
		IO4_Wn	54
		IO5_Wp	55
		IO6	59
		IO7	60
		TIOCA0_Vp	56
		TIOC80_Vn	57
		TRISTn	58
		DREQ1n	62
		TEND1n	63
		DACK1n	104
		TIOCA2_Up	105
		TIOC82_Un	106
		ADPOT_AN0	118
		AN1	119
		AN2	120
		AN3	122
		AN4	124
		AN5	126
		DA0_AN6	127
		DA1_AN7	128
		PTTX	107
		PTRX	108
		TRSTn	109
		TMS	111
		TDI	113
		TCK	114
		DLCDRS	134
		WRn	135
		DLCDE	136
		LLWRn	137
		LHWRn	138
		RDn	139
		ASn	140
		BCLK	142
		CS0n	144
		CS1n	1
		CS2n	2
		LED0	3
		DLCDD4	130
		DLCDD5	131
		DLCDD6	132
		DLCDD7	5
		CS0n	144
		CS1n	1
		CS2n	2
		LED0	3
		DLCDD4	130
		DLCDD5	131
		DLCDD6	132
		DLCDD7	5

VCC = 6, 25, 50, 64, 74, 99, 143
VSS = 4, 16, 23, 32, 48, 69, 79, 88, 96, 103, 141

VCC=UC_VCC

SIZE A4

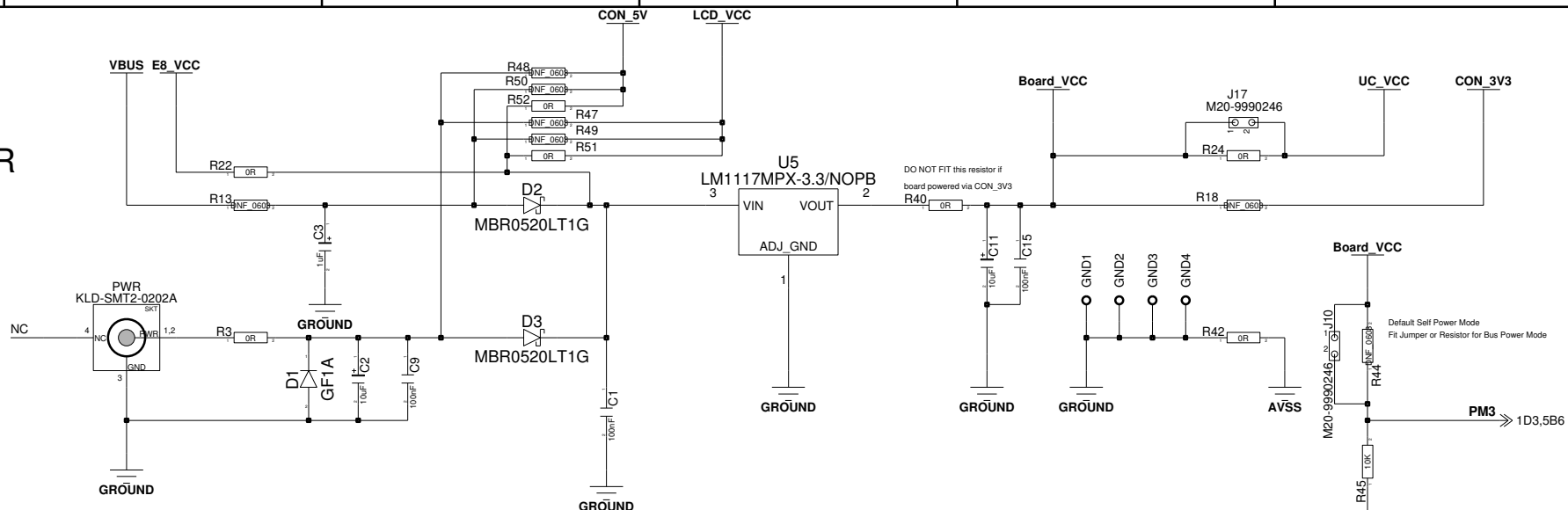
RENESAS TECHNOLOGY EUROPE LTD
Dukes Meadow, Bourne End, Buckinghamshire
UNITED KINGDOM

SCHEMATIC TITLE
RSKH8SX1664 & RSKH8SX1668

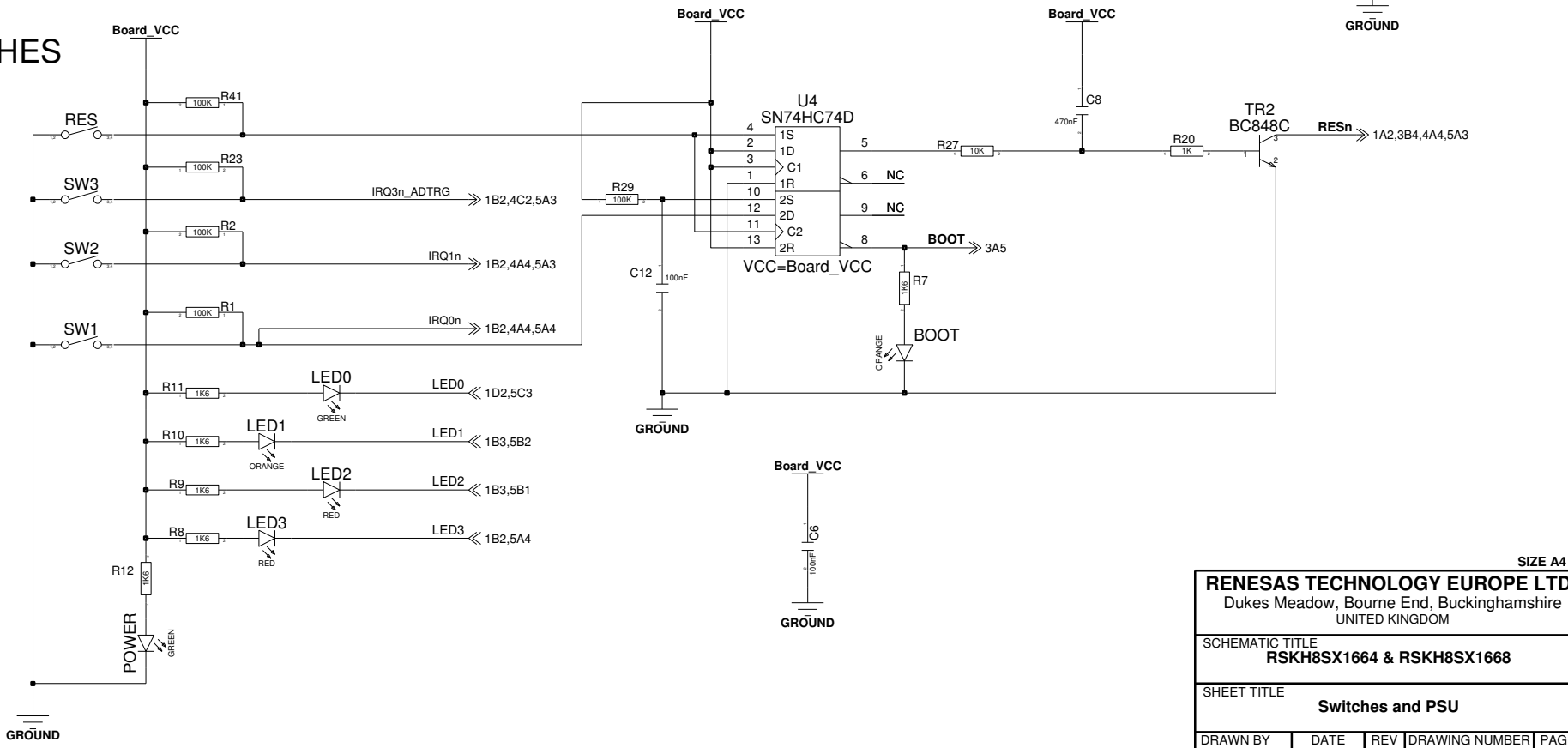
SHEET TITLE
Microcontroller

DRAWN BY VNA	DATE 09-01-08	REV 3	DRAWING NUMBER D006152_04	PAGE 1/6
-----------------	------------------	----------	------------------------------	-------------

POWER



SWITCHES



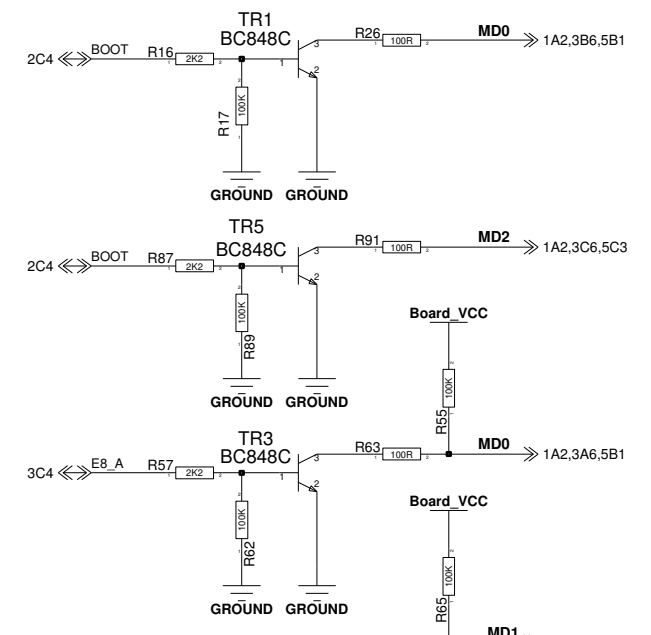
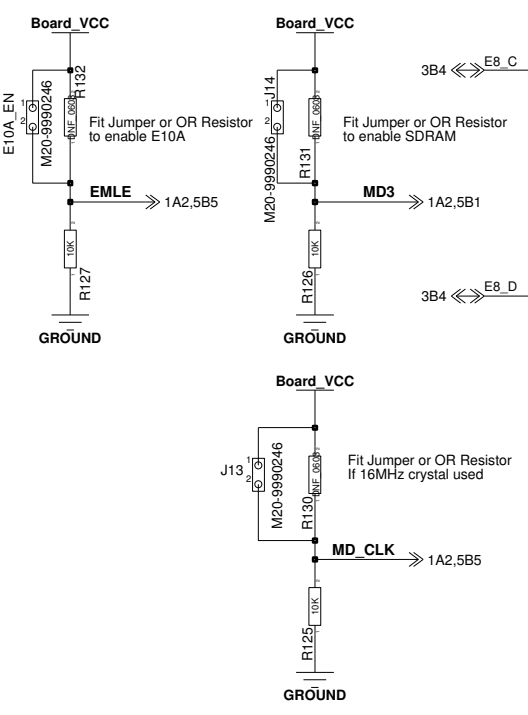
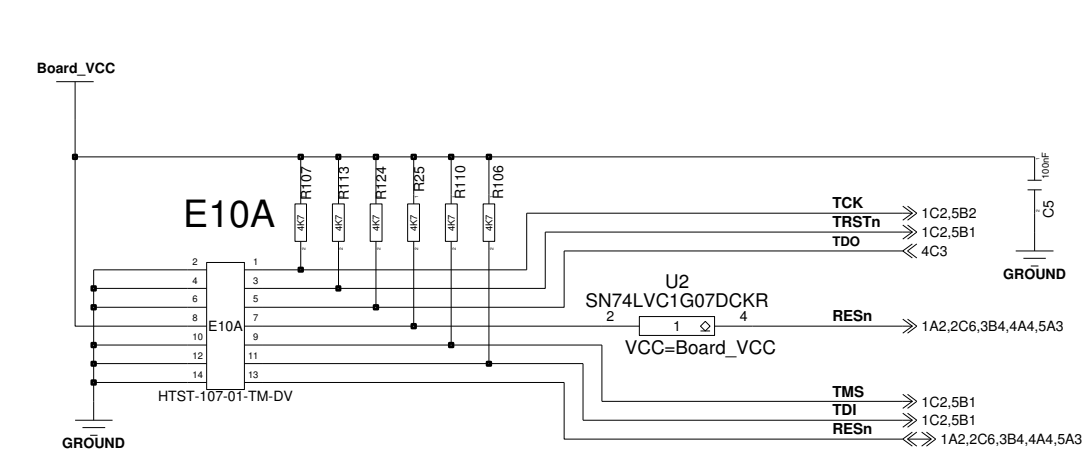
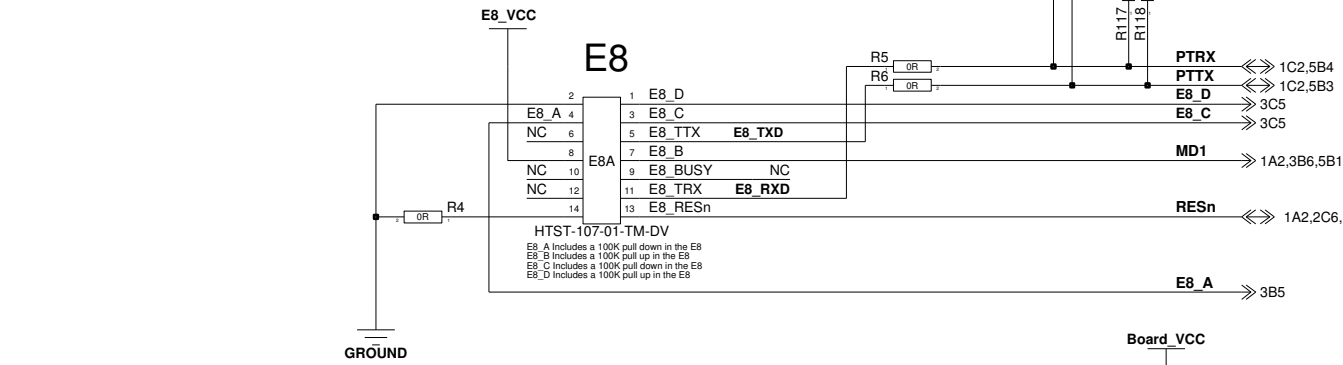
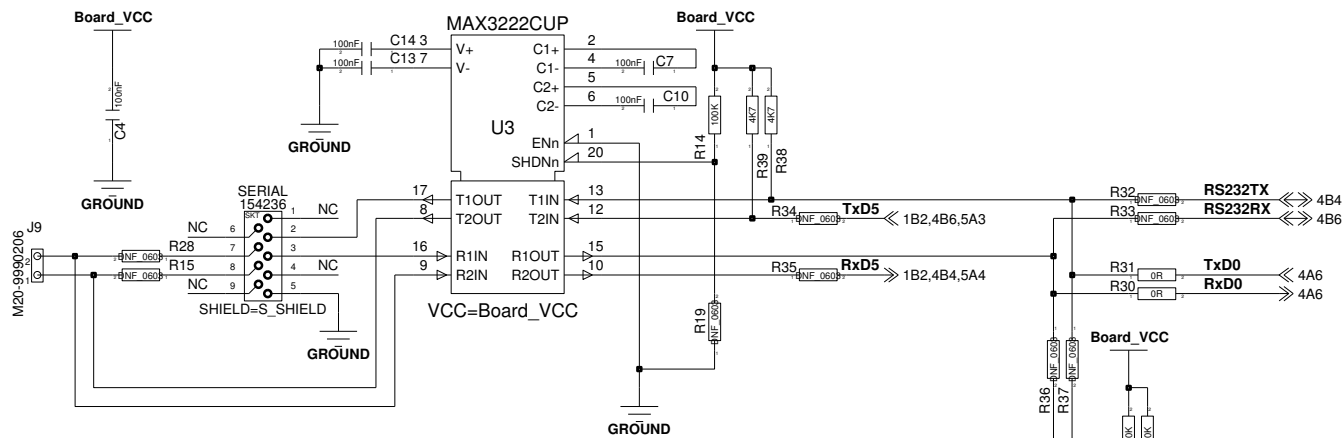
SIZE A4

RENESAS TECHNOLOGY EUROPE LTD
 Dukess Meadow, Bourne End, Buckinghamshire
 UNITED KINGDOM

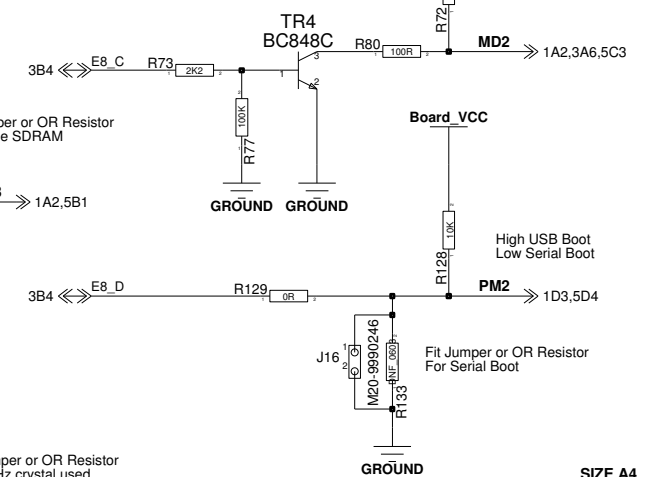
SCHEMATIC TITLE
RSKH8SX1664 & RSKH8SX1668

SHEET TITLE
Switches and PSU

DRAWN BY VNA	DATE 09-01-08	REV 3	DRAWING NUMBER D006152_04	PAGE 2/6
-----------------	------------------	----------	------------------------------	-------------



MD2	MD1	MD0	Boot Mode
0	1	0	Boot Mode
1	1	1	Single Chip Mode



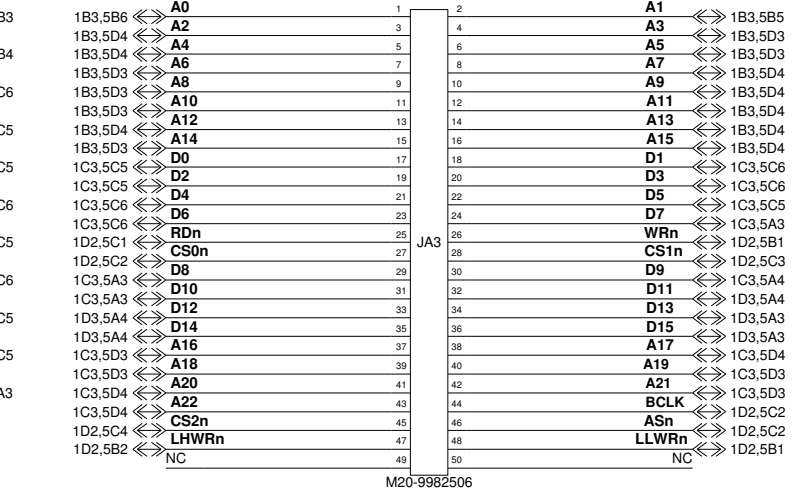
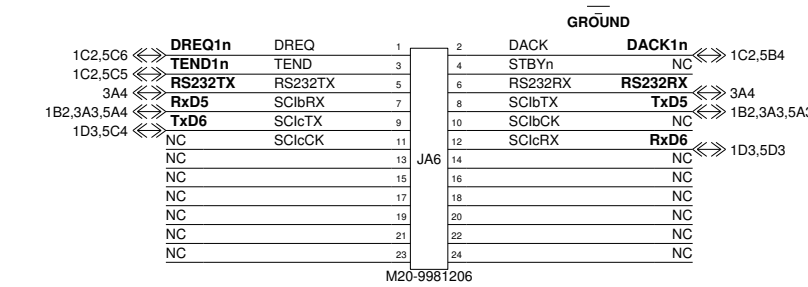
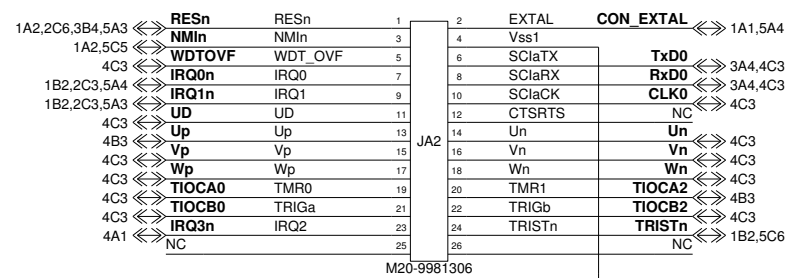
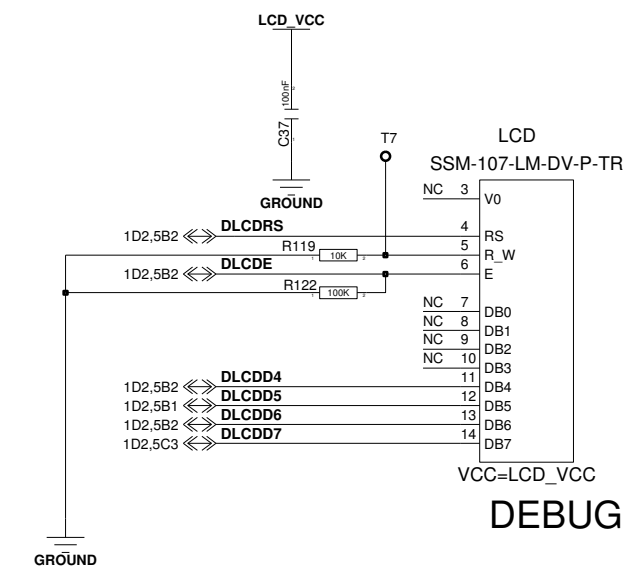
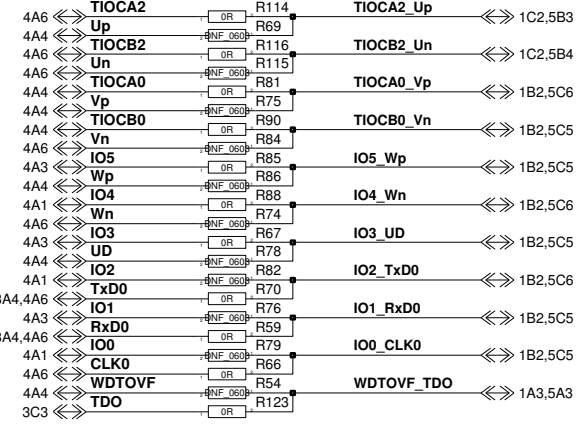
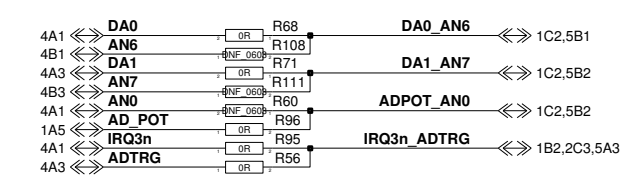
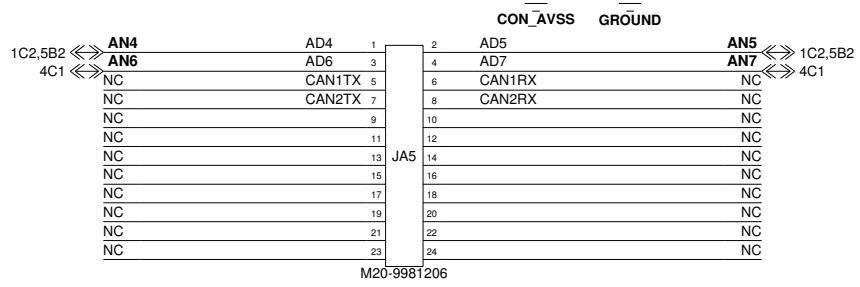
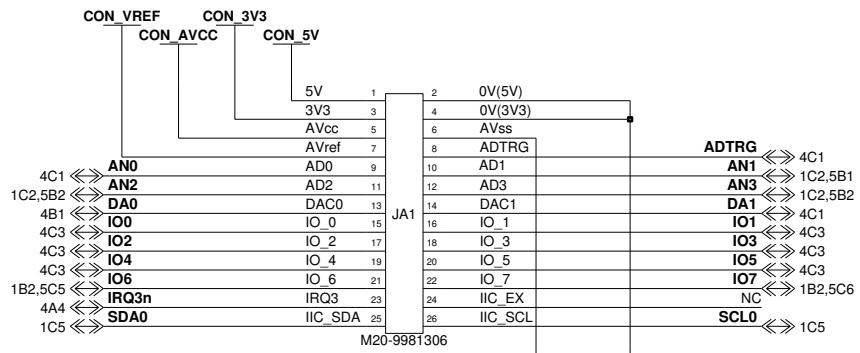
SIZE A4

RENESAS TECHNOLOGY EUROPE LTD
Dukes Meadow, Bourne End, Buckinghamshire
UNITED KINGDOM

SCHEMATIC TITLE
RSKH8SX1664 & RSKH8SX1668

SHEET TITLE
E8 & E10A Debug connectors & Serial Port

DRAWN BY VNA	DATE 09-01-08	REV 3	DRAWING NUMBER D006152_04	PAGE 3/6
-----------------	------------------	----------	------------------------------	-------------



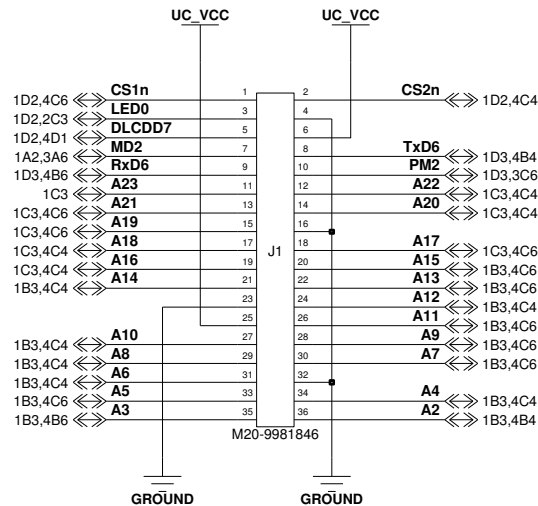
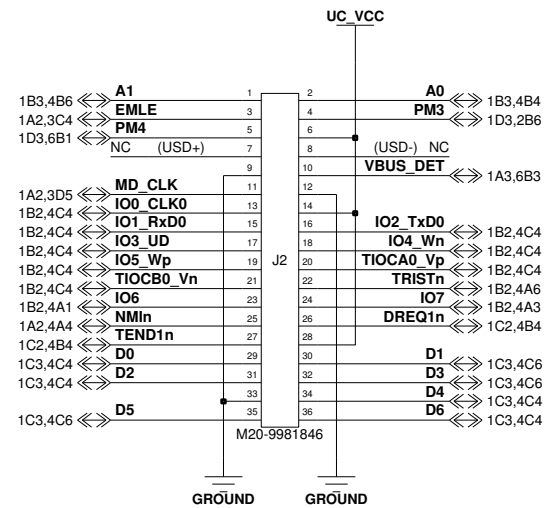
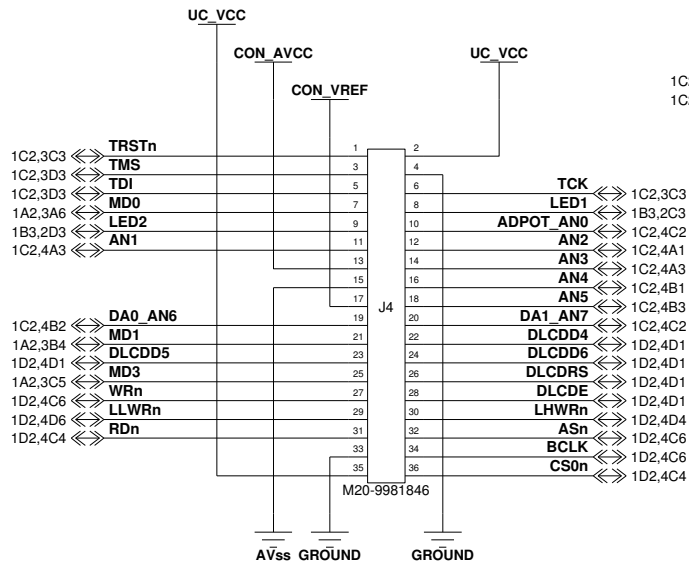
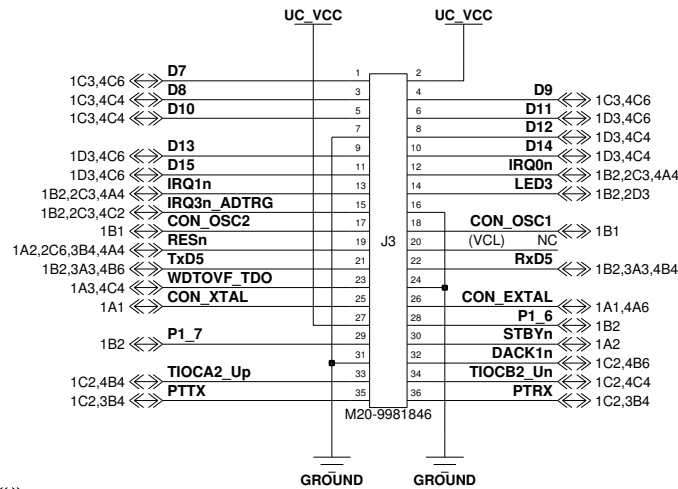
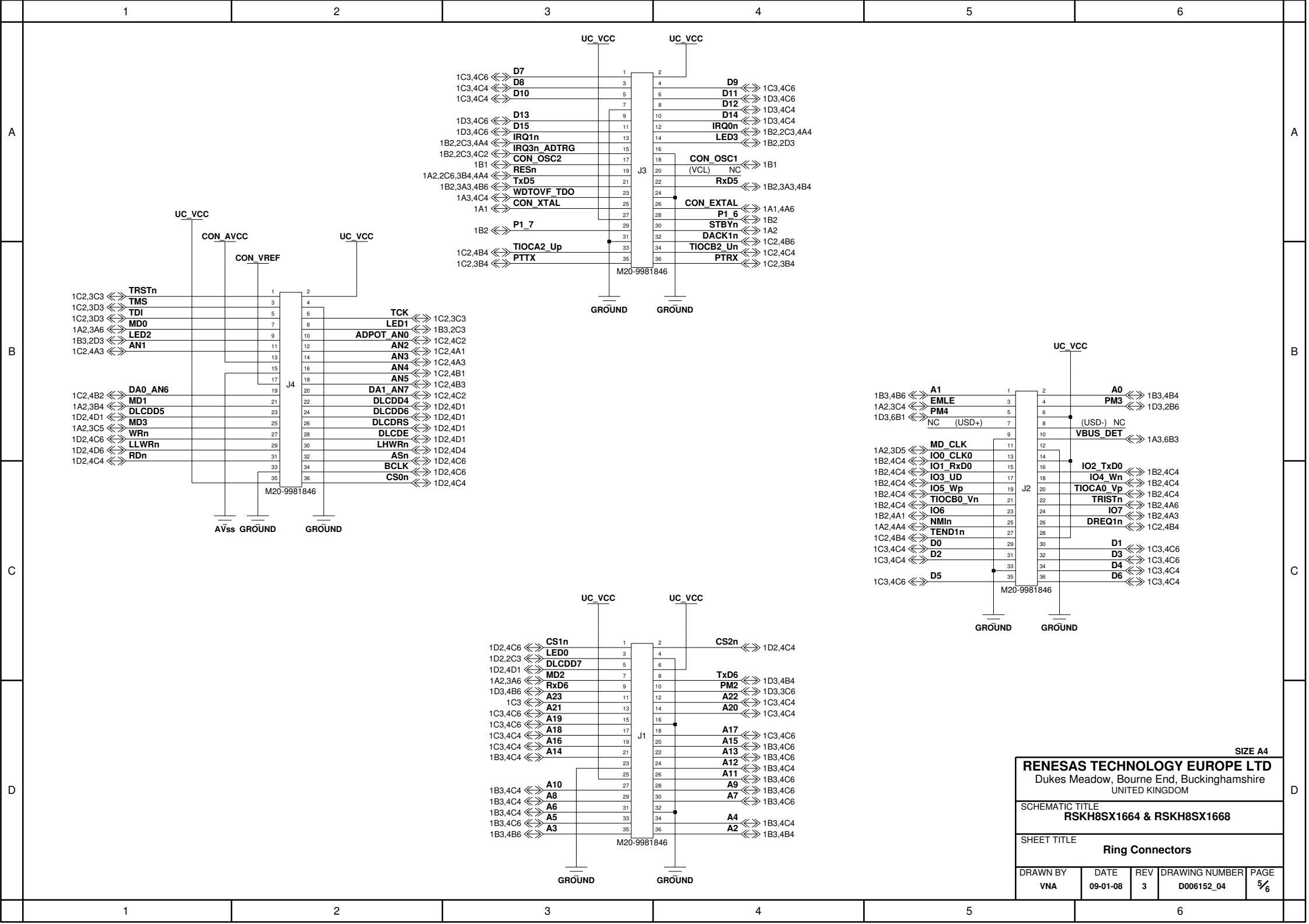
SIZE A4

RENESAS TECHNOLOGY EUROPE LTD
 Dukes Meadow, Bourne End, Buckinghamshire
 UNITED KINGDOM

SCHEMATIC TITLE
RSKH8SX1664 & RSKH8SX1668

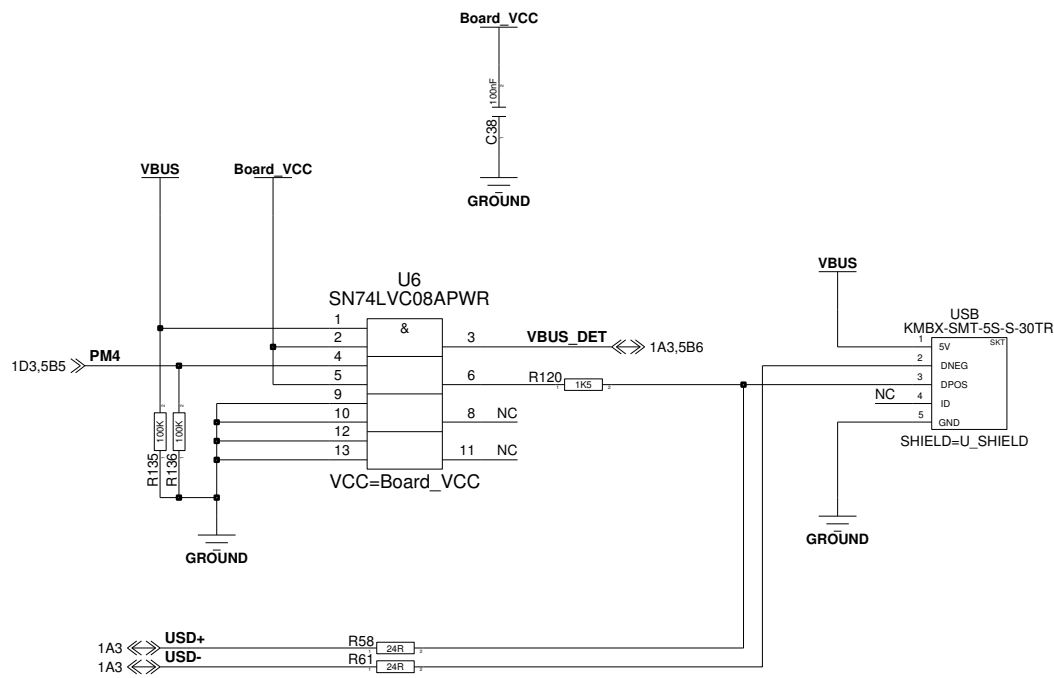
SHEET TITLE
 Application Headers

DRAWN BY VNA	DATE 09-01-08	REV 3	DRAWING NUMBER D006152_04	PAGE 4/6
-----------------	------------------	----------	------------------------------	-------------



SIZE A4

RENESAS TECHNOLOGY EUROPE LTD Dukes Meadow, Bourne End, Buckinghamshire UNITED KINGDOM					
SCHEMATIC TITLE RSKH8SX1664 & RSKH8SX1668					
SHEET TITLE Ring Connectors					
DRAWN BY VNA	DATE 09-01-08	REV 3	DRAWING NUMBER D006152_04	PAGE 5/6	



SIZE A4

RENESAS TECHNOLOGY EUROPE LTD
 Dukas Meadow, Bourne End, Buckinghamshire
 UNITED KINGDOM

SCHEMATIC TITLE
RSKH8SX1664 & RSKH8SX1668

SHEET TITLE
USB

DRAWN BY VNA	DATE 09-01-08	REV 3	DRAWING NUMBER D006152_04	PAGE 6/6
-----------------	------------------	----------	------------------------------	-------------