

Renesas Starter Kit for R8C/LA8A CPU Board Schematics

REV	REF	DATE	DRAWN BY
A1	DRAFT	13.04.2010	YOI
A2	DRAFT	16.04.2010	YOI
A3	DRAFT	20.04.2010	YOI
1.00	Release	12.11.2010	YOI

PAGE	DESCRIPTION
1	INDEX
2	R8C/LA8A Microcontroller
3	PSU, Switches, LEDs, CPU Mode Select
4	E8a Emulator, Serial Port
5	Application Headers, MCU Pin Function Select, Debug LCD
6	Microcontroller Pin Headers

Note:

R : Fixed Resistor
RV : Potentiometer
U : Integrated Circuit
X : Crystal
RES : Reset Switch
SW : Switch
LED : Light Emitting Diode
PWR : Power Jack
J : Connector, Jumper

* "DNF" marking means that component does not fit by default.

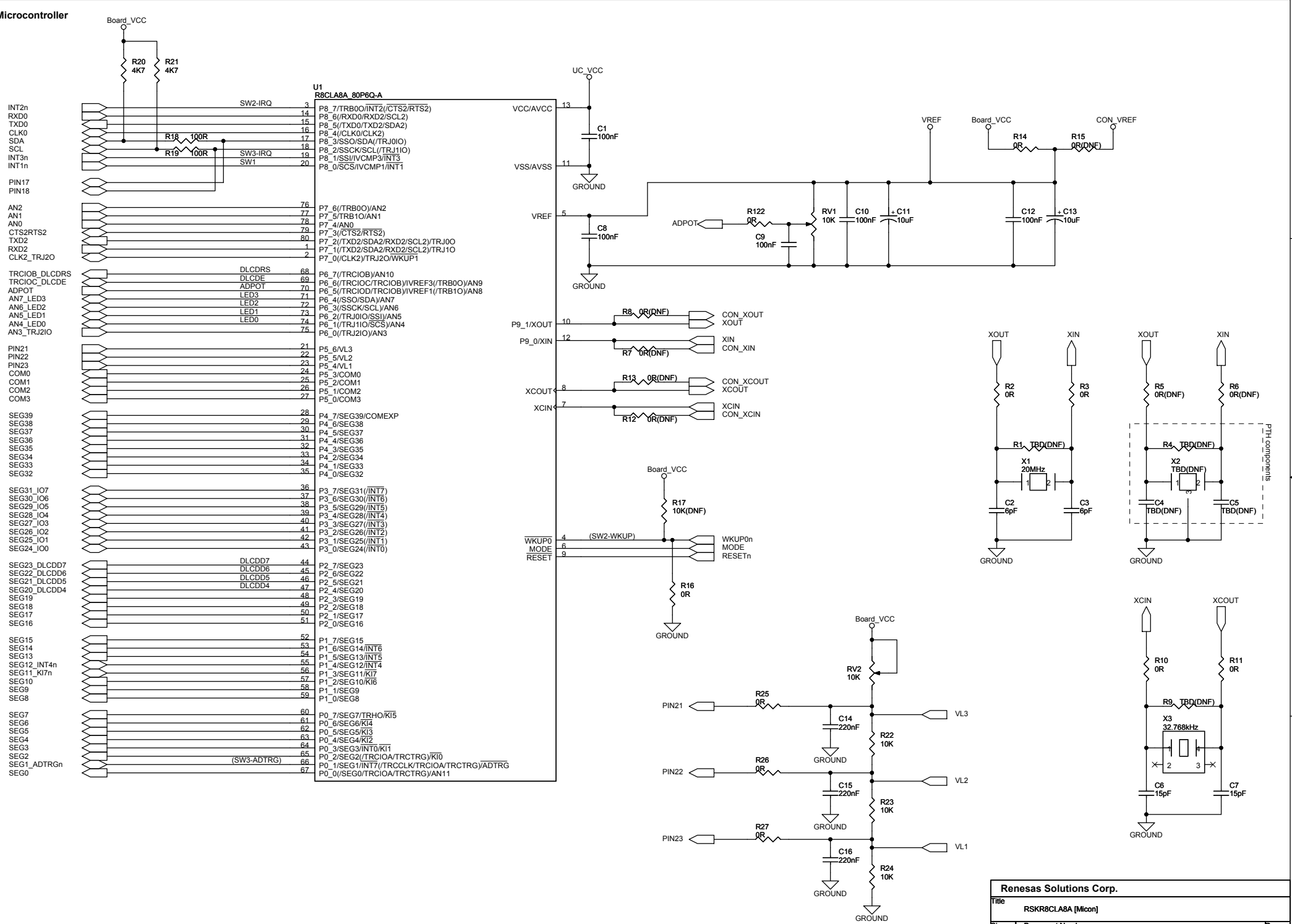
Board Variation:

R0K502LA8C000BE : RSKR8CLA8A MP Board

REE Drawing No. D009952_04
 RSO Drawing No. DK30855

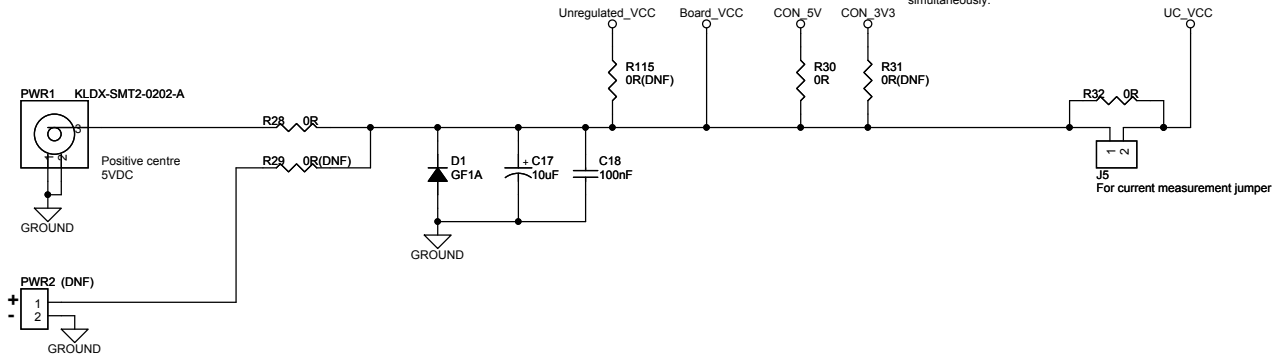
Renesas Solutions Corp.			
Title		RSKR8CLA8A [INDEX]	
Size	Document Number	Rev	
	R20LUT0287EG0100	1.00	
Date:	Friday, November 12, 2010	Sheet	1 of 6

R8C/LA8A Microcontroller



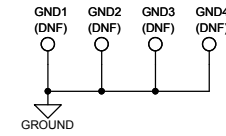
Renesas Solutions Corp.			
Title: RSKR8CLA8A [Micon]			
Size:	Document Number: R20UT0287EG0100		Rev: 1.00
Date:	Friday, November 12, 2010	Sheet: 2	of 6

Power Supply Unit

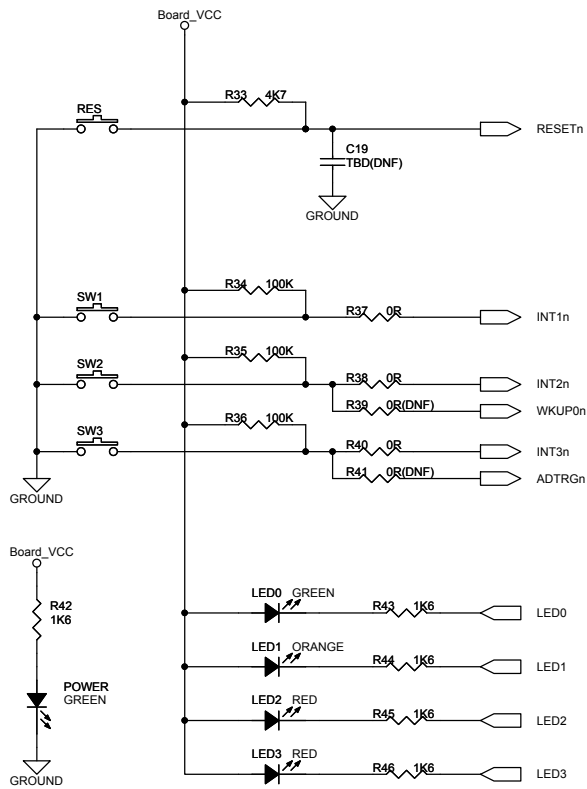


Warning:
NEVER FIT R30 and R31
simultaneously.

Ground Test Points



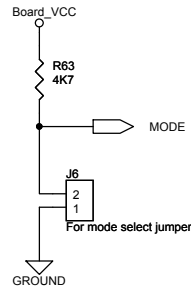
Switches, LEDs



CPU Mode Select

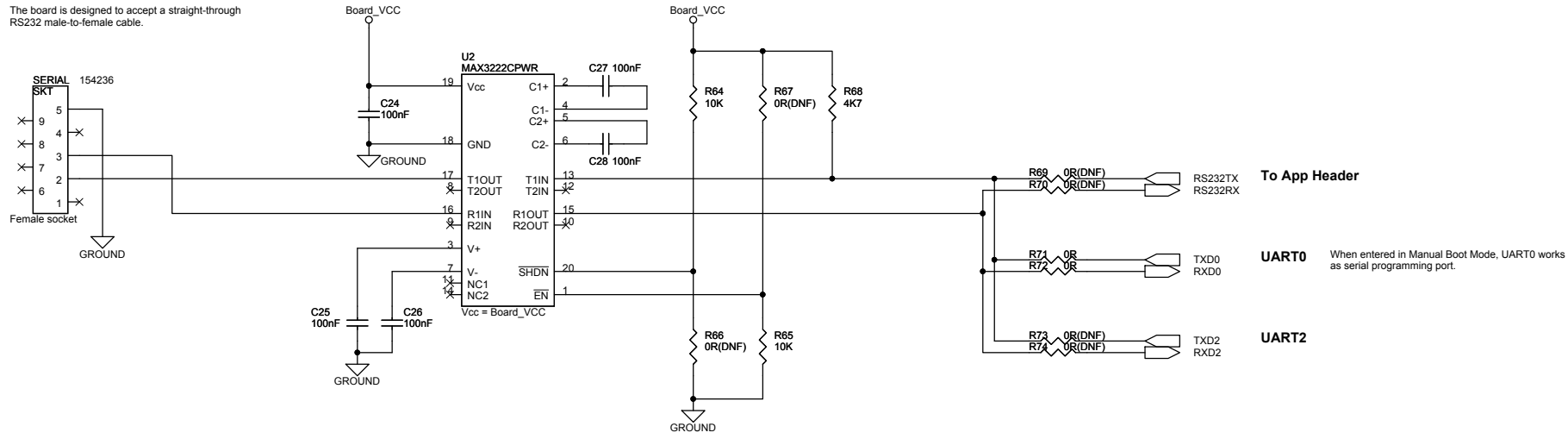
(for Manual Boot Mode Entry)

	MODE pin	J6
Single Chip Mode	H	Open
Standard Serial I/O Mode (Boot Mode)	L	Shorted

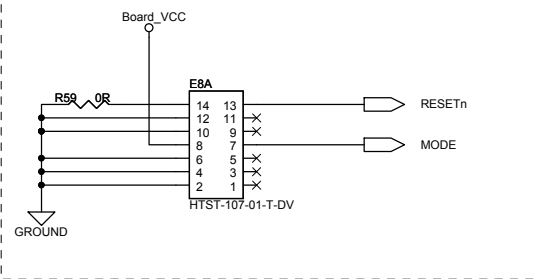


Serial Port

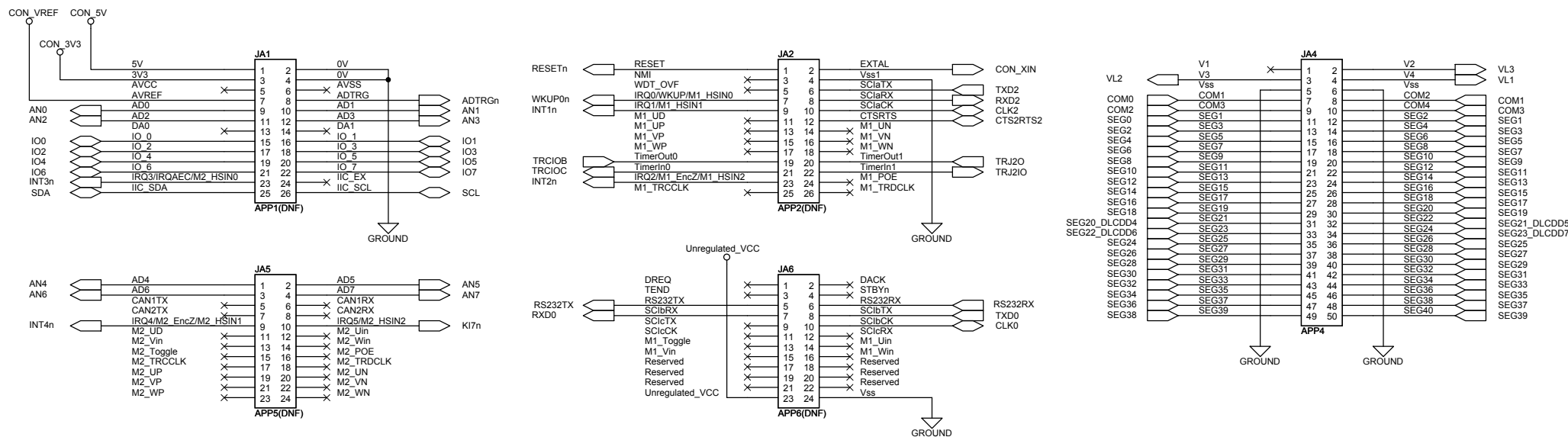
The board is designed to accept a straight-through RS232 male-to-female cable.



E8a Debug Connector

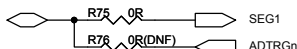


Application Headers

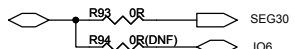


MCU Pin Function Select

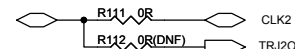
P0_1(Pin66)



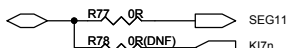
P3_6(Pin37)



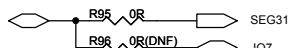
P7_0(Pin2)



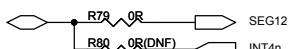
P1_3(Pin56)



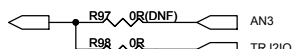
P3_7(Pin36)



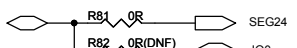
P1_4(Pin55)



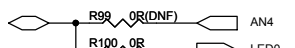
P6_0(Pin75)



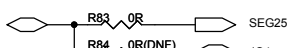
P3_0(Pin43)



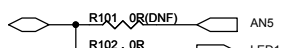
P6_1(Pin74)



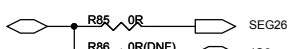
P3_1(Pin42)



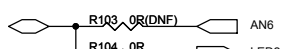
P6_2(Pin73)



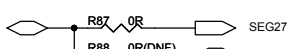
P3_2(Pin41)



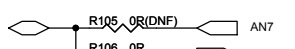
P6_3(Pin72)



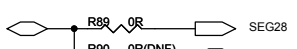
P3_3(Pin40)



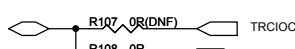
P6_4(Pin71)



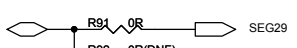
P3_4(Pin39)



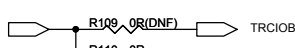
P6_6(Pin69)



P3_5(Pin38)

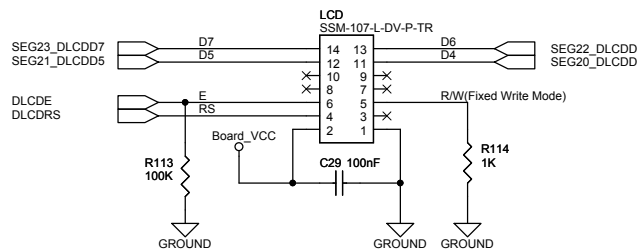


P6_7(Pin68)

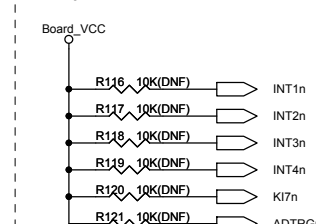


Debug LCD

Do not use if Board_VCC is not equal to 5V.



Pull-up resistor



Microcontroller Pin Headers

