

RX210 Group (B Mask)

Renesas Starter Kit User's Manual

RENESAS MCU
RX Family / RX200 Series

All information contained in these materials, including products and product specifications, represents information on the product at the time of publication and is subject to change by Renesas Electronics Corporation without notice. Please review the latest information published by Renesas Electronics Corporation through various means, including the Renesas Electronics Corporation website (<http://www.renesas.com>).

Notice

1. Descriptions of circuits, software and other related information in this document are provided only to illustrate the operation of semiconductor products and application examples. You are fully responsible for the incorporation of these circuits, software, and information in the design of your equipment. Renesas Electronics assumes no responsibility for any losses incurred by you or third parties arising from the use of these circuits, software, or information.
2. Renesas Electronics has used reasonable care in preparing the information included in this document, but Renesas Electronics does not warrant that such information is error free. Renesas Electronics assumes no liability whatsoever for any damages incurred by you resulting from errors in or omissions from the information included herein.
3. Renesas Electronics does not assume any liability for infringement of patents, copyrights, or other intellectual property rights of third parties by or arising from the use of Renesas Electronics products or technical information described in this document. No license, express, implied or otherwise, is granted hereby under any patents, copyrights or other intellectual property rights of Renesas Electronics or others.
4. You should not alter, modify, copy, or otherwise misappropriate any Renesas Electronics product, whether in whole or in part. Renesas Electronics assumes no responsibility for any losses incurred by you or third parties arising from such alteration, modification, copy or otherwise misappropriation of Renesas Electronics product.
5. Renesas Electronics products are classified according to the following two quality grades: "Standard" and "High Quality". The recommended applications for each Renesas Electronics product depends on the product's quality grade, as indicated below.

"Standard": Computers; office equipment; communications equipment; test and measurement equipment; audio and visual equipment; home electronic appliances; machine tools; personal electronic equipment; and industrial robots etc.

"High Quality": Transportation equipment (automobiles, trains, ships, etc.); traffic control systems; anti-disaster systems; anticrime systems; and safety equipment etc.

Renesas Electronics products are neither intended nor authorized for use in products or systems that may pose a direct threat to human life or bodily injury (artificial life support devices or systems, surgical implantations etc.), or may cause serious property damages (nuclear reactor control systems, military equipment etc.). You must check the quality grade of each Renesas Electronics product before using it in a particular application. You may not use any Renesas Electronics product for any application for which it is not intended. Renesas Electronics shall not be in any way liable for any damages or losses incurred by you or third parties arising from the use of any Renesas Electronics product for which the product is not intended by Renesas Electronics.

6. You should use the Renesas Electronics products described in this document within the range specified by Renesas Electronics, especially with respect to the maximum rating, operating supply voltage range, movement power voltage range, heat radiation characteristics, installation and other product characteristics. Renesas Electronics shall have no liability for malfunctions or damages arising out of the use of Renesas Electronics products beyond such specified ranges.
7. Although Renesas Electronics endeavors to improve the quality and reliability of its products, semiconductor products have specific characteristics such as the occurrence of failure at a certain rate and malfunctions under certain use conditions. Further, Renesas Electronics products are not subject to radiation resistance design. Please be sure to implement safety measures to guard them against the possibility of physical injury, and injury or damage caused by fire in the event of the failure of a Renesas Electronics product, such as safety design for hardware and software including but not limited to redundancy, fire control and malfunction prevention, appropriate treatment for aging degradation or any other appropriate measures. Because the evaluation of microcomputer software alone is very difficult, please evaluate the safety of the final products or systems manufactured by you.
8. Please contact a Renesas Electronics sales office for details as to environmental matters such as the environmental compatibility of each Renesas Electronics product. Please use Renesas Electronics products in compliance with all applicable laws and regulations that regulate the inclusion or use of controlled substances, including without limitation, the EU RoHS Directive. Renesas Electronics assumes no liability for damages or losses occurring as a result of your noncompliance with applicable laws and regulations.
9. Renesas Electronics products and technology may not be used for or incorporated into any products or systems whose manufacture, use, or sale is prohibited under any applicable domestic or foreign laws or regulations. You should not use Renesas Electronics products or technology described in this document for any purpose relating to military applications or use by the military, including but not limited to the development of weapons of mass destruction. When exporting the Renesas Electronics products or technology described in this document, you should comply with the applicable export control laws and regulations and follow the procedures required by such laws and regulations.
10. It is the responsibility of the buyer or distributor of Renesas Electronics products, who distributes, disposes of, or otherwise places the product with a third party, to notify such third party in advance of the contents and conditions set forth in this document, Renesas Electronics assumes no responsibility for any losses incurred by you or third parties as a result of unauthorized use of Renesas Electronics products.
11. This document may not be reproduced or duplicated in any form, in whole or in part, without prior written consent of Renesas Electronics.
12. Please contact a Renesas Electronics sales office if you have any questions regarding the information contained in this document or Renesas Electronics products, or if you have any other inquiries.

(Note 1) "Renesas Electronics" as used in this document means Renesas Electronics Corporation and also includes its majority owned subsidiaries.

(Note 2) "Renesas Electronics product(s)" means any product developed or manufactured by or for Renesas Electronics.

Disclaimer

By using this Renesas Starter Kit (RSK), the user accepts the following terms:

The RSK is not guaranteed to be error free, and the entire risk as to the results and performance of the RSK is assumed by the User. The RSK is provided by Renesas on an "as is" basis without warranty of any kind whether express or implied, including but not limited to the implied warranties of satisfactory quality, fitness for a particular purpose, title and non-infringement of intellectual property rights with regard to the RSK. Renesas expressly disclaims all such warranties. Renesas or its affiliates shall in no event be liable for any loss of profit, loss of data, loss of contract, loss of business, damage to reputation or goodwill, any economic loss, any reprogramming or recall costs (whether the foregoing losses are direct or indirect) nor shall Renesas or its affiliates be liable for any other direct or indirect special, incidental or consequential damages arising out of or in relation to the use of this RSK, even if Renesas or its affiliates have been advised of the possibility of such damages.

Precautions

The following precautions should be observed when operating any RSK product:

This Renesas Starter Kit is only intended for use in a laboratory environment under ambient temperature and humidity conditions. A safe separation distance should be used between this and any sensitive equipment. Its use outside the laboratory, classroom, study area or similar such area invalidates conformity with the protection requirements of the Electromagnetic Compatibility Directive and could lead to prosecution.

The product generates, uses, and can radiate radio frequency energy and may cause harmful interference to radio communications. However, there is no guarantee that interference will not occur in a particular installation. If this equipment causes harmful interference to radio or television reception, which can be determined by turning the equipment off or on, you are encouraged to try to correct the interference by one or more of the following measures;

- ensure attached cables do not lie across the equipment
- reorient the receiving antenna
- increase the distance between the equipment and the receiver
- connect the equipment into an outlet on a circuit different from that which the receiver is connected
- power down the equipment when not in use
- consult the dealer or an experienced radio/TV technician for help NOTE: It is recommended that wherever possible shielded interface cables are used.

The product is potentially susceptible to certain EMC phenomena. To mitigate against them it is recommended that the following measures be undertaken;

- The user is advised that mobile phones should not be used within 10m of the product when in use.
- The user is advised to take ESD precautions when handling the equipment.

The Renesas Starter Kit does not represent an ideal reference design for an end product and does not fulfil the regulatory standards for an end product.

How to Use This Manual

1. Purpose and Target Readers

This manual is designed to provide the user with an understanding of the RSK hardware functionality, and electrical characteristics. It is intended for users designing sample code on the RSK platform, using the many different incorporated peripheral devices.

The manual comprises of an overview of the capabilities of the RSK product, but does not intend to be a guide to embedded programming or hardware design. Further details regarding setting up the RSK and development environment can found in the tutorial manual.

Particular attention should be paid to the precautionary notes when using the manual. These notes occur within the body of the text, at the end of each section, and in the Usage Notes section.

The revision history summarizes the locations of revisions and additions. It does not list all revisions. Refer to the text of the manual for details.

The following documents apply to this RSK and the RX210 Group. Make sure to refer to the latest versions of these documents. The newest versions of the documents listed may be obtained from the Renesas Electronics Web site.

Document Type	Description	Document Title	Document No.
User's Manual	Describes the technical details of the RSK hardware.	RSKRX210B User's Manual	R20UT2604EG
Software Manual	Describes the functionality of the sample code, and its interaction with the Renesas Peripheral Driver Library (RPDL)	RSKRX210B Software Manual	R20UT2607EG
Tutorial	Provides a guide to setting up RSK environment, running sample code and debugging programs.	RSKRX210B Tutorial Manual	R20UT2605EG
Quick Start Guide	Provides simple instructions to setup the RSK and run the first sample, on a single A4 sheet.	RSKRX210B Quick Start Guide	R20UT2606EG
Schematics	Full detail circuit schematics of the RSK.	RSKRX210B Schematics	R20UT2603EG
Hardware Manual	Provides technical details of the RX210 microcontroller.	RX210 Group Hardware Manual	R01UH0037EJ

2. List of Abbreviations and Acronyms

Abbreviation	Full Form
ADC	Analog-to-Digital Converter
bps	bits per second
CPU	Central Processing Unit
CRC	Cyclic Redundancy Check
DIP	Dual In-line Package
DMA	Direct Memory Access
DMAC	Direct Memory Access Controller
E1	On-chip Debugger
EEPROM	Electrically Erasable Programmable Read Only Memory
EMC	Electromagnetic Compatibility
ESD	Electrostatic Discharge
HEW	High-performance Embedded Workshop
IIC	Philips™ Inter-Integrated Circuit Connection Bus
IRQ	Interrupt Request
LCD	Liquid Crystal Display
LED	Light Emitting Diode
MCU	Micro-controller Unit
MTU	Multifunction Timer Unit
NMI	Non Maskable Interrupt
PC	Personal Computer
PWM	Pulse Width Modulation
RSK	Renesas Starter Kit
RSPI	Renesas Serial Peripheral Interface
SFR	Special Function Register
SPI	Serial Peripheral Interface
UART	Universal Asynchronous Receiver/Transmitter

Table of Contents

1. Overview.....	7
1.1 Purpose.....	7
1.2 Features.....	7
2. Power Supply	8
2.1 Requirements.....	8
2.2 Power-Up Behaviour.....	8
3. Board Layout	9
3.1 Component Layout.....	9
3.2 Board Dimensions.....	10
3.3 Component Placement	11
4. Connectivity	12
4.1 Internal RSK Connections.....	12
4.2 Debugger Connections	13
5. User Circuitry	14
5.1 Reset Circuit	14
5.2 Clock Circuit.....	14
5.3 Switches.....	14
5.4 LEDs	15
5.5 Potentiometer.....	15
5.6 Debug LCD Module	15
5.7 RS232 Serial Port	16
5.8 I ² C Bus (Inter-IC Bus)	16
6. Configuration	17
6.1 Modifying the RSK	17
6.2 MCU Operating Modes	17
6.3 ADC Configuration	18
6.4 E1 Debugger Interface.....	19
6.5 RS232 Serial Port Configuration.....	20
6.6 IRQ & General I/O Pin Configuration.....	21
6.7 User Switch Configuration	25
6.8 Power Supply Configuration	26
6.9 Clock Configuration.....	27
6.10 Debug LCD Configuration.....	27
6.11 IIC EEPROM Configuration	28
7. Headers	29
7.1 Microcontroller Pin Headers	29
7.2 Application Headers.....	29
8. Code Development	36
8.1 Overview	36
8.2 Compiler Restrictions.....	36
8.3 Mode Support	36
8.4 Debugging Support.....	36
8.5 Address Space.....	37
9. Additional Information	38

1. Overview

1.1 Purpose

This RSK is an evaluation tool for Renesas microcontrollers. This manual describes the technical details of the RSK hardware. The Quick Start Guide and Tutorial Manual provide details of the software installation and debugging environment.

1.2 Features

This RSK provides an evaluation of the following features:

- Renesas microcontroller programming
- User code debugging
- User circuitry such as switches, LEDs and a potentiometer
- Sample application
- Sample peripheral device initialisation code

The RSK board contains all the circuitry required for microcontroller operation.

2. Power Supply

2.1 Requirements

This RSK is supplied with an E1 debugger. The debugger is able to power the RSK board with up to 200mA. When the RSK is connected to another system then that system should supply power to the RSK. All RSK and RSK+ boards have an optional centre positive supply connector using a 2.0mm barrel power jack.

Details of the external power supply requirements for the RSK, and configuration options are shown in **Table 2-1** below.

J17 Setting	J15 Setting	Supply Source	Supply Input Voltages	Regulator IC Output
Pin1-2 shorted	shorted / open	E1	5V / 3.3V	None
Pin1-2 shorted	shorted / open	PWR connector	5V	None
Pin2-3 shorted	open			3.3V
Pin2-3 shorted	shorted			1.62V

Table 2-1: Main Power Supply Requirements

The main power supply connected to PWR should supply a minimum of 5W to ensure full functionality.
--

2.2 Power-Up Behaviour

When the RSK is purchased, the RSK board has the 'Release' or stand-alone code from the example tutorial software pre-programmed into the Renesas microcontroller. On powering up the board the user LEDs will start to flash. After 200 flashes or after pressing any switch, the LEDs will flash at a rate controlled by the potentiometer.

3. Board Layout

3.1 Component Layout

Figure 3-1 below shows the top component layout of the board.

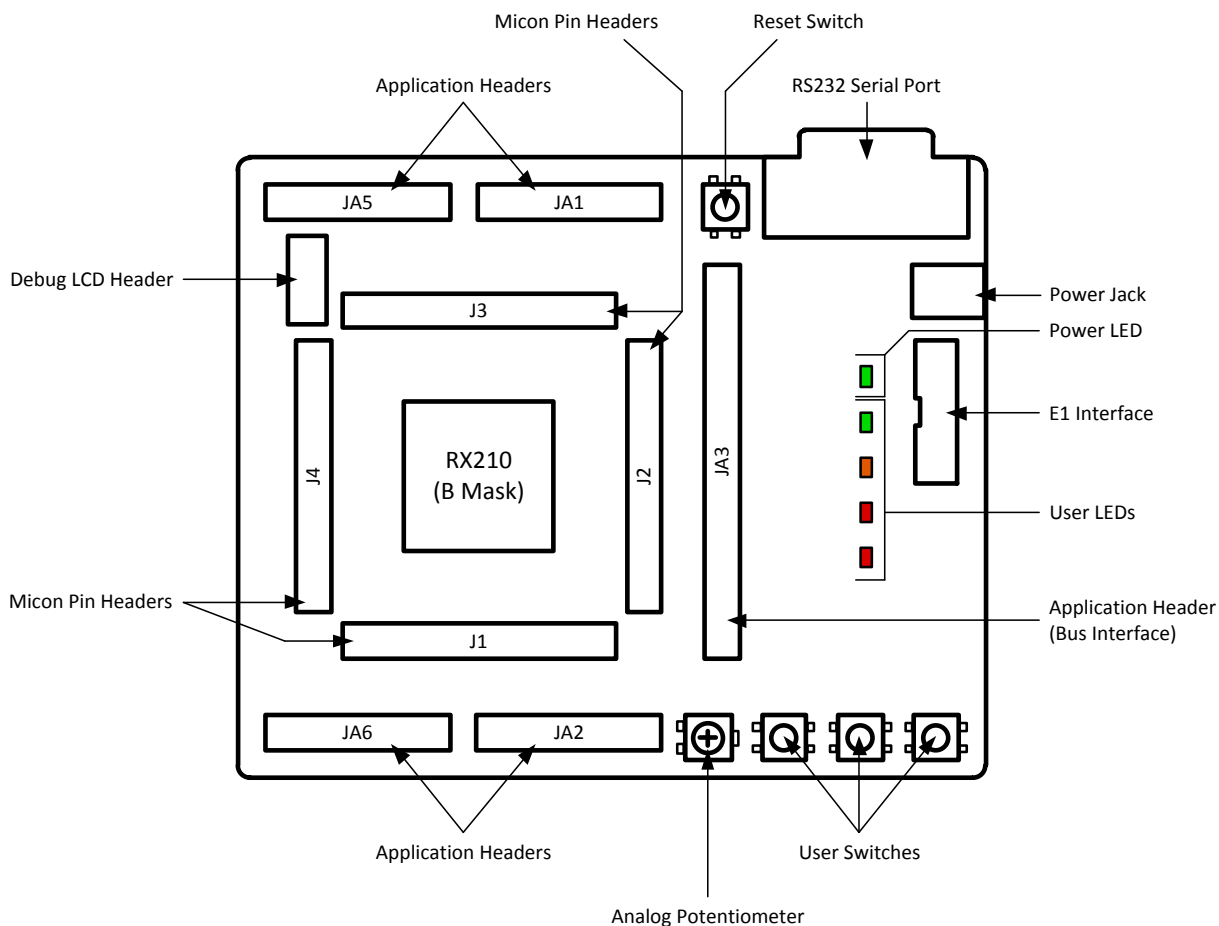


Figure 3-1: Board Layout

3.2 Board Dimensions

Figure 3-2 below gives the board dimensions and connector positions. All the through-hole connectors are on a common 0.1 inch grid for easy interfacing.

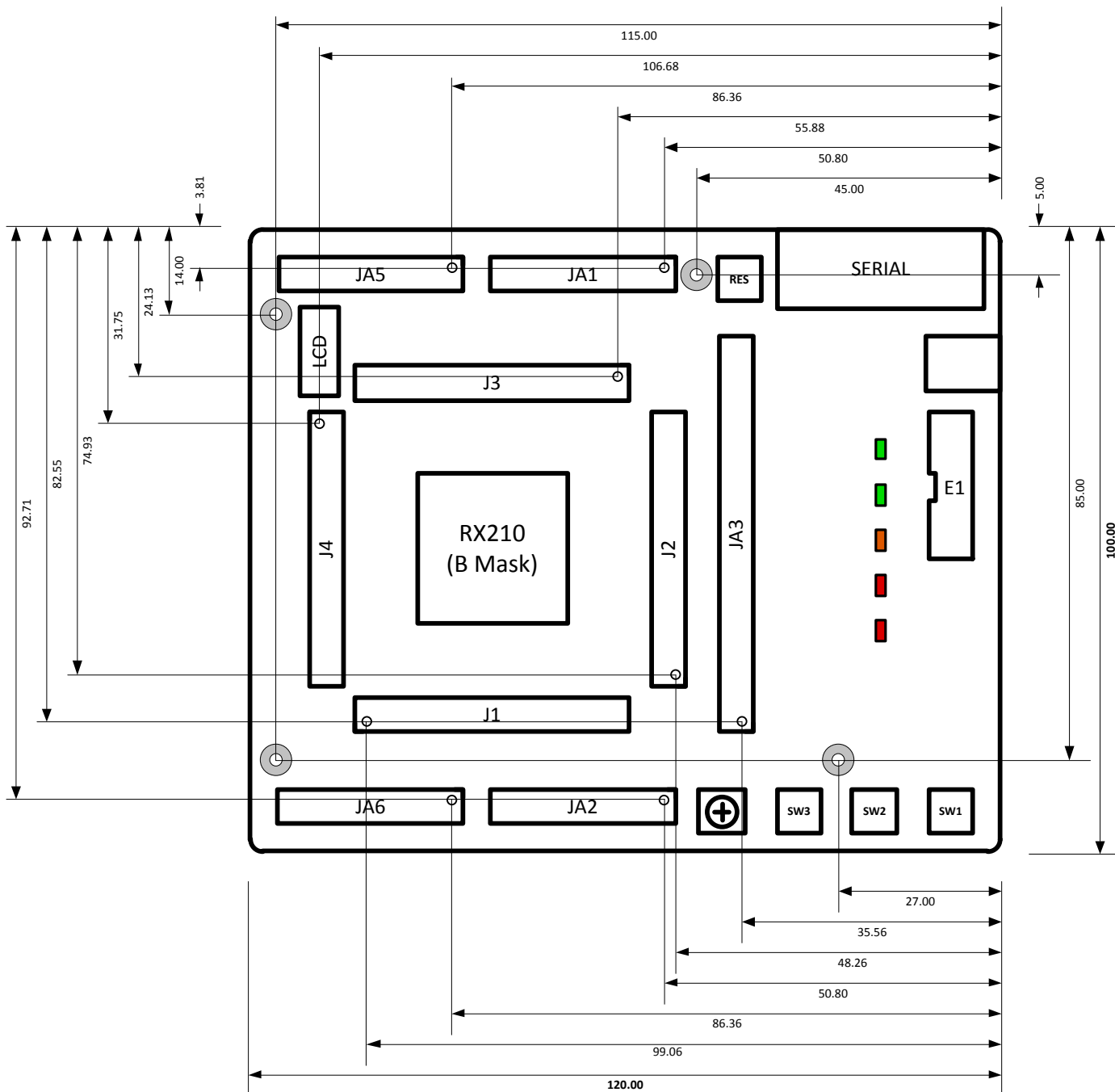
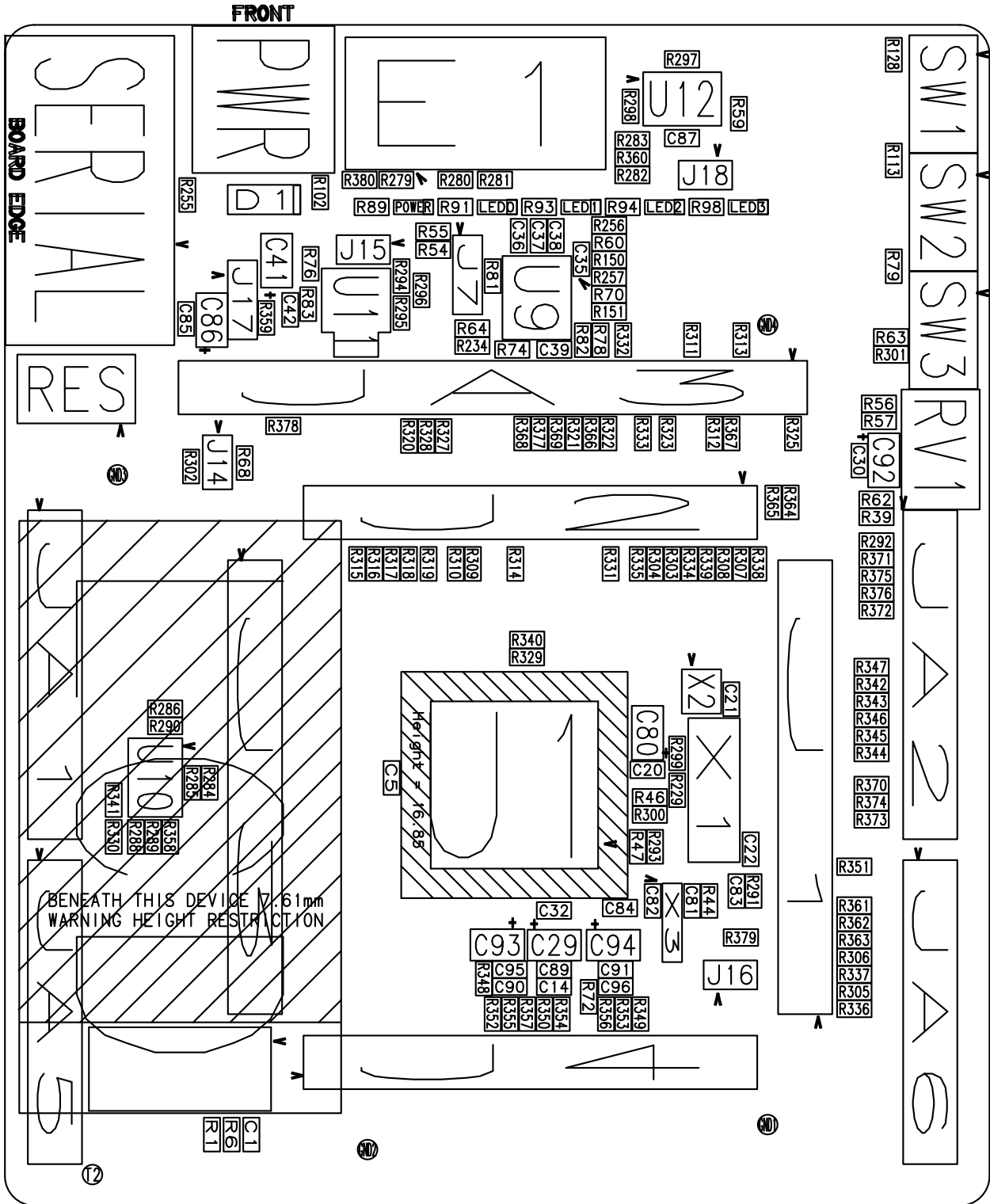


Figure 3-2: Board Dimensions

3.3 Component Placement

Figure 3-3 below shows placement of individual components on the top-side PCB. Component types and values can be looked up using the board schematics.



4. Connectivity

4.1 Internal RSK Connections

The diagram below shows the RSK board components and their connectivity to the MCU.

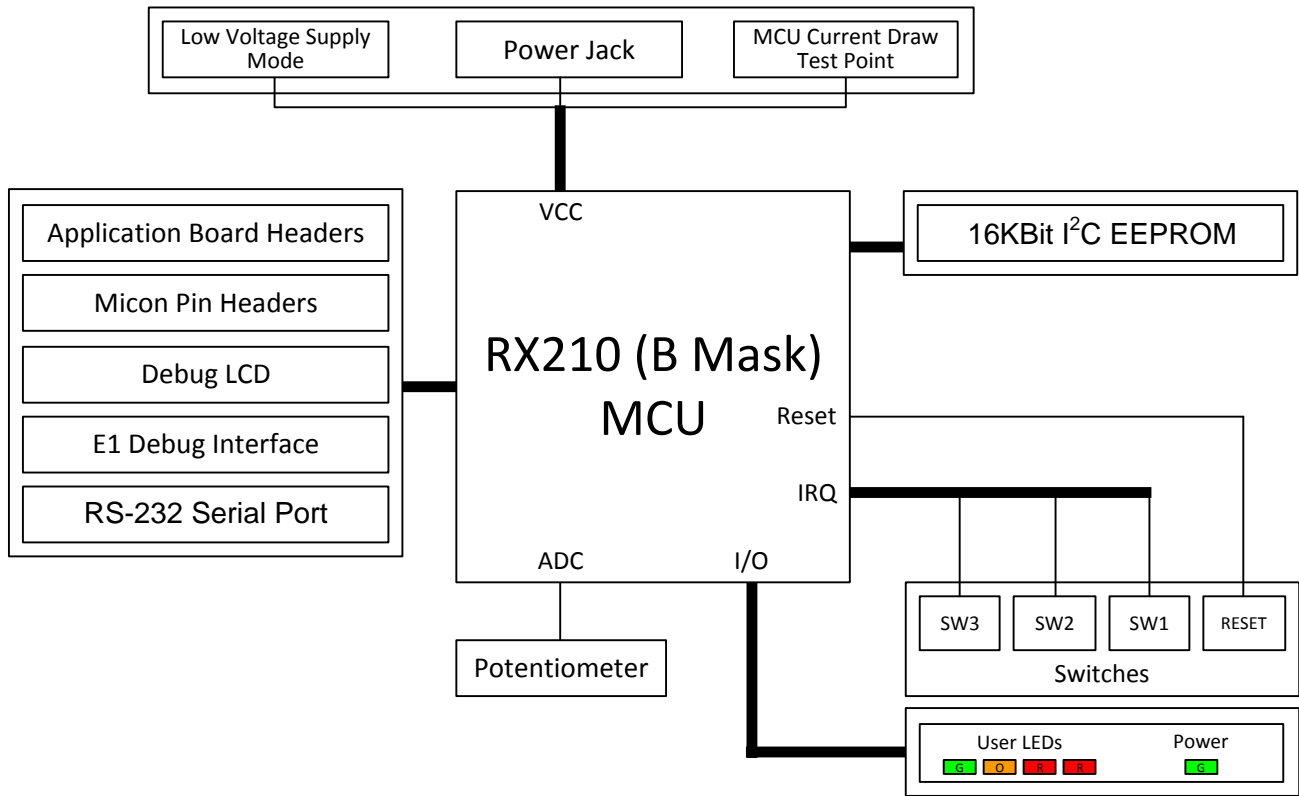


Figure 4-1: Internal RSK Block Diagram

4.2 Debugger Connections

The diagram below shows the connections between the RSK, E1 debugger and the host PC.

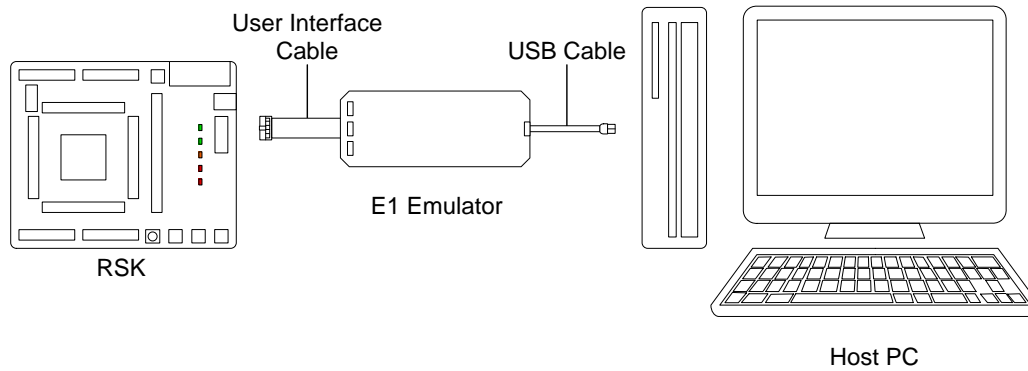


Figure 4-2: Debugger Connection Diagram

5. User Circuitry

5.1 Reset Circuit

A reset control circuit is not fitted to the RSK, as the MCU is capable of voltage and power-on detection. Resets are handled internally, and reset switch is connected directly to nRES on the MCU (pin 10).

5.2 Clock Circuit

A clock circuit is fitted to the RSK to generate the required clock signal to drive the MCU, and associated peripherals. Refer to the RX210 Group Hardware Manual for details regarding the clock signal requirements, and the RSKRX210B board schematics for information regarding the clock circuitry in use on the RSK. Details of the oscillators fitted to the RSK are listed in **Table 5-1** below.

Crystal	Function	Default Placement	Frequency	Device Package
X1	Main MCU crystal.	Fitted	20MHz	Encapsulated, SMT
X2	External clock oscillator	Not fitted	20MHz	Encapsulated, SMT
X3	Real time Clock	Fitted	32.768kHz	Encapsulated, SMT

Table 5-1: Oscillators

5.3 Switches

There are four switches located on the RSK board. The function of each switch and its connection is shown in **Table 5-2**. For further information regarding switch connectivity, refer to the RSKRX210B board schematics.

Switch	Function	MCU Connection
RES	When pressed, the microcontroller is reset.	nRES, Pin 10
SW1	Connects to an IRQ input for user controls.	IRQ1, Pin 19
SW2	Connects to an IRQ input for user controls.	IRQ3, Pin 17
SW3/ADTRG	Connects to an IRQ input for user controls. The switch is also connected to an ADTRG input, and is used to trigger AD conversions.	IRQ4, Pin 16 & ADTRG0n*, Pin 98

Table 5-2: Switch Connections

* Connected via link resistor R301

5.4 LEDs

There are five LEDs on the RSK board. The function of each LED, its colour, and its connections are shown in **Table 5-3**.

LED	Colour	Function	MCU Connection
POWER	Green	Indicates the power status	No connection
LED0	Green	User operated LED.	P14, Pin 32
LED1	Orange	User operated LED.	P15, Pin 31
LED2	Red	User operated LED.	P16, Pin 30
LED3	Red	User operated LED.	P17, Pin 29

Table 5-3: LED Connections

5.5 Potentiometer

A single-turn potentiometer is connected as a potential divider to analog input AN000, pin 95. The potentiometer can be used to create a voltage between AVCC and ground (by default, AVCC is connected to the board power supply Board_VCC).

The potentiometer is fitted to offer an easy method of supplying a variable analog input to the microcontroller. It does not necessarily reflect the accuracy of the controller's ADC. Refer to the RX210 Group Hardware Manual for further details.

5.6 Debug LCD Module

A debug LCD module is supplied with the RSK, and should be connected to the LCD header.

Care should be taken when installing the LCD module to ensure pins are not bent or damaged. The LCD module is vulnerable to electrostatic discharge (ESD); therefore appropriate ESD protection should be used.

The debug LCD module uses a 4-bit interface to reduce pin allocation. No contrast control is provided, as this is set by a resistor supplied on the display module. Connection information for the debug LCD module is provided in **Table 5-4** below.

Debug LCD Header					
Pin	Circuit Net Name	MCU Pin	Pin	Circuit Net Name	MCU Pin
1*	Ground	-	2*	5V	-
3	No Connection	-	4	DLCDRS	PJ1, Pin 6
5	R/W (pulled to ground)	-	6	DLCDE (pulled to ground)	PJ3, Pin 4
7	No Connection	-	8	No Connection	-
9	No Connection	-	10	No Connection	-
11	DLCD4	PH0, Pin 38	12	DLCD5	PH1, Pin 37
13	DLCD6	PH2, Pin 36	14	DLCD7	PH3, Pin 35

Table 5-4: LCD Header Connections

* These pins are omitted from the schematic symbol to reduce clutter.

5.7 RS232 Serial Port

Connections between the RS232 header and the microcontroller are listed in **Table 5-5** below.

SCI Signal	Function	MCU Connection	RS232 Connection
TXD0	SCI0 Transmit Signal.	P20, pin 28	Pin 2
RXD0	SCI0 Receive Signal.	P21, pin 27	Pin 3
TXD1	SCI1 Transmit Signal.	P26, pin 22	Pin 2*
RXD1	SCI1 Receive Signal.	P30, pin 20	Pin 3*
TXD9	SCI9 Transmit Signal.	PB7, pin 53	Pin 8*
RXD9	SCI9 Receive Signal.	PB6, pin 54	Pin 7*
RS232TX	External SCI Transmit Signal.	n/a	Pin 2*
RS232RX	External SCI Receive Signal.	n/a	Pin 3*

Table 5-5: Serial Port Connections

* This connection is not available in the default RSK configuration - refer to §6 for the required modifications.

5.8 I²C Bus (Inter-IC Bus)

The RX210 (B Mask) features one I²C (Inter-IC Bus) interface module, which is connected to a 16Kbit EEPROM (Electrically-Erasable Programmable Read Only Memory). Specific details of the EEPROM device and the connections can be found in the board schematics.

This EEPROM only supports one concurrent device on a single I2C bus, as it responds to all possible addresses.

6. Configuration

6.1 Modifying the RSK

This section lists the option links that are used to modify the way RSK operates in order to access different configurations. Configurations are made by modifying link resistors or headers with movable jumpers or by configuration DIP switches

A link resistor is a 0Ω surface mount resistor, which is used to short or isolate parts of a circuit. Option links are listed in the following sections, detailing their function when fitted or removed. Bold, blue text indicates the default configuration that the RSK is supplied with. Refer to the component placement diagram (§3) to locate the option links, jumpers and DIP switches.

When removing soldered components, always ensure that the RSK is not exposed to a soldering iron for intervals greater than 5 seconds. This is to avoid damage to nearby components mounted on the RSK.

When modifying a link resistor, always check the related option links to ensure there is no possible signal contention or short circuits. Because some of the MCU's pins are multiplexed, some of the peripherals must be used exclusively. Refer to the RX210 Group Hardware Manual and RSKRX210B board schematics for further information.

6.2 MCU Operating Modes

Table 6-1 below details the function of the jumpers associated with the MCU operating modes.

Reference	Position One	Position Two	Position Three	Related Ref.
J16	All pins open. MCU starts in normal mode.	All pins closed. MCU starts in CPU boot mode.	n/a	-
J18	All pins open. Disconnects UB (MCU, pin 45) to Board_VCC. Puts the MCU into Boot Mode (SCI).	All pins closed. Connects UB (MCU, pin 45) to Board_VCC. Puts the MCU into User Boot Mode.	n/a	R283

Table 6-1: MCU Operating Mode Jumper Settings

6.3 ADC Configuration

Table 6-2 below details the function of the option links associated with the Analog-to-Digital circuit.

Reference	Link Fitted Configuration	Link Removed Configuration	Related Ref.
R39	Connects the MCU (AVSS0, pin 99) to CON_AVSS.	Disconnects the MCU (AVSS0, pin 99) from CON_AVSS.	R62
R56	Connects the potentiometer (RV1, pin 3) to Board_VCC.	Disconnects the potentiometer (RV1, pin 3) from Board_VCC.	R57
R57	Connects the potentiometer (RV1, pin 3) to CON_AVCC.	Disconnects the potentiometer (RV1, pin 3) from CON_AVCC.	R56
R62	Connects the MCU (AVSS0, pin 99) to GROUND.	Disconnects the MCU (AVSS0, pin 99) from GROUND.	R39
R72	Connects the MCU (VREFH, pin 1) to UC_VCC	Disconnects the MCU (VREFH, pin 1) from UC_VCC	R356
R348	Connects the MCU (VREFL0, pin 94) to GROUND.	Disconnects the MCU (VREFL0, pin 94) from GROUND.	R352
R349	Connects the MCU (VREFL, pin 3) to GROUND.	Disconnects the MCU (VREFL, pin 3) from GROUND.	R353
R350	Connects the MCU (AVCC0, pin 97) to UC_VCC.	Disconnects the MCU (AVCC0, pin 97) from UC_VCC.	R354
R352	Connects the MCU (VREFL0, pin 94) to CON_VREFL0.	Disconnects the MCU (VREFL0, pin 94) from CON_VREFL0.	R348
R353	Connects the MCU (VREFL, pin 3) to CON_VREFL.	Disconnects the MCU (VREFL, pin 3) from CON_VREFL.	R349
R354	Connects the MCU (AVCC0, pin 97) to CON_AVCC.	Disconnects the MCU (AVCC0, pin 97) from CON_AVCC.	R350
R355	Connects the MCU (VREFH0, pin 96) to CON_VREFH0.	Disconnects MCU (VREFH0, pin 96) from CON_VREFH0.	R357
R356	Connects the MCU (VREFH, pin 1) to CON_VREFH.	Disconnects the MCU (VREFH, pin 1) from CON_VREFH.	R72
R357	Connects the MCU (VREFH0, pin 96) to UC_VCC.	Disconnects the MCU (VREFH0, pin 96) from UC_VCC.	R355

Table 6-2: ADC Option Links

6.4 E1 Debugger Interface

Table 6-3 below details the function of the option links associated with serial port configuration.

Reference	Link Fitted Configuration	Link Removed Configuration	Related Ref.
R279	Connects SCK1 (MCU, pin 21) to the E1 connector (pin 1).	Disconnects SCK1 (MCU, pin 21) from the E1 connector (pin 1).	R363, R380
R280	Connects TXD1 (MCU, pin 22) to the E1 connector (pin 5).	Disconnects TXD1 (MCU, pin 22) from the E1 connector (pin 5).	R60, R362, R344, R378, R345
R281	Connects MODE (MCU, pin 7) to the E1 connector (pin 7).	Disconnects MODE (MCU, pin 7) from the E1 connector (pin 7).	J16
R282	Connects RXD1 (MCU, pin 20) to the E1 connector (pin 11).	Disconnects RXD1 (MCU, pin 20) from the E1 connector (pin 11).	R70, R361
R283	Connects UB (MCU, pin 45) to the E1 connector (pin 10).	Disconnects UB (MCU, pin 45) from the E1 connector (pin 10).	J18

Table 6-3: E1 Debugger Interface Option Links

6.5 RS232 Serial Port Configuration

Table 6-4 below details the function of the option links associated with serial port configuration.

Reference	Link Fitted Configuration	Link Removed Configuration	Related Ref.
R54	Connects the RS232 IC (U9, pin 9) to the serial port (pin 7).	Disconnects the RS232 IC (U9, pin 9) from the serial port (pin 7).	R55, J7
R55	Connects the RS232 IC (U9, pin 8) to the serial port (pin 8).	Disconnects the RS232 IC (U9, pin 8) from the serial port (pin 8).	R54, J7
R60	Connects TXD1 (MCU, pin 22) to the RS232 IC (U9, pin 13).	Disconnects TXD1 (MCU, pin 22) from the RS232 IC (U9, pin 13).	R150, R256, R280, R344, R345, R362, R378
R64	Connects TXD9 (MCU, pin 53) to the RS232 IC (U9, pin 12).	Disconnects TXD9 (MCU, pin 53) to the RS232 IC (U9, pin 12).	R331
R70	Connects RXD1 (MCU, pin 20) to the RS232 IC (U9, pin 15).	Disconnects RXD1 (MCU, pin 22) from the RS232 IC (U9, pin 13).	R151, R257, R282, R361
R78	Connects the RS232 IC (U9, pin 20) to GROUND.	Disconnects the RS232 IC (U9, pin 20) from GROUND.	R82*
R81	Connects RXD9 (MCU, pin 54) to the RS232 IC (U9, pin 10).	Disconnects RXD9 (MCU, pin 54) to the RS232 IC (U9, pin 10).	R332
R82	Connects SHDNn (U9, pin 20) to Board_VCC.	Disconnects SHDNn (U9, pin 20) from Board_VCC.	R78*
R150	Connects TXD0 (MCU, pin 28) to the RS232 IC (U9, pin 13).	Disconnects TXD0 (MCU, pin 28) from the RS232 IC (U9, pin 13).	R60, R256
R151	Connects RXD0 (MCU, pin 27) to the RS232 IC (U9, pin 15) via R365.	Disconnects RXD0 (MCU, pin 27) from the RS232 IC (U9, pin 15).	R70, R257, R365
R255	Connects the serial port connector shield to ground.	Disconnects the serial port connector shield from ground.	-
R256	Connects RS232TX (JA6, pin 5) to the RS232 IC (U9, pin 13).	Disconnects RS232TX (JA6, pin 5) from the RS232 IC (U9, pin 13).	R60, R150
R257	Connects RS232RX (JA6, pin 6) to the RS232 IC (U9, pin 15).	Disconnects RS232RX (JA6, pin 6) from the RS232 IC (U9, pin 15).	R70, R151

Table 6-4: RS232 Serial Port Option Links

* Caution: Do not fit both R78 and R82.

6.6 External Bus Configuration

Table 6-5 below details the function of option links related to configuring the MCU's external bus.

Reference	Link Fitted Configuration	Link Removed Configuration	Related Ref.
R309	Connects A19_MTI0C4D (MCU, pin 49) to the application header (JA2, pin 18).	Disconnects A19_MTI0C4D (MCU, pin 49) from the application header (JA2, pin 18).	-
R310	Connects A18_MTI0C4B (MCU, pin 50) to the application header (JA2, pin 17).	Disconnects A18_MTI0C4B (MCU, pin 50) from the application header (JA2, pin 17).	-
R311	Connects A8_MTI0C5W (MCU, pin 61) to the application header (JA6, pin 16).	Disconnects A8_MTI0C5W (MCU, pin 61) from the application header (JA6, pin 16).	-
R312	Connects A9_MTI0C0C (MCU, pin 59) to the application header (JA2, pin 23) via R370.	Disconnects A9_MTI0C0C (MCU, pin 59) from the application header (JA2, pin 23).	R370
R313	Connects A4_MTI0C5U (MCU, pin 66) to the application header (JA6, pin 14).	Disconnects A4_MTI0C5U (MCU, pin 66) from the application header (JA6, pin 14).	-
R314	Connects D7_POE0 (MCU, pin 79) to the application header (JA2, pin 24).	Disconnects D7_POE0 (MCU, pin 79) from the application header (JA2, pin 24).	-
R315	Connects D15_IO7 (MCU, pin 71) to the application header (JA1, pin 22).	Disconnects D15_IO7 (MCU, pin 71) from the application header (JA1, pin 22).	-
R316	Connects D14_IO6 (MCU, pin 72) to the application header (JA1, pin 21).	Disconnects D14_IO6 (MCU, pin 72) from the application header (JA1, pin 21).	-
R317	Connects D13_IO5 (MCU, pin 73) to the application header (JA1, pin 20).	Disconnects D13_IO5 (MCU, pin 73) from the application header (JA1, pin 20).	-
R318	Connects D12_IO4 (MCU, pin 74) to the application header (JA1, pin 19).	Disconnects D12_IO4 (MCU, pin 74) from the application header (JA1, pin 19).	-
R319	Connects D11_IO3 (MCU, pin 75) to the application header (JA1, pin 18).	Disconnects D11_IO3 (MCU, pin 75) from the application header (JA1, pin 18).	-
R320	Connects D10_IO2 (MCU, pin 76) to the application header (JA1, pin 17).	Disconnects D10_IO2 (MCU, pin 76) from the application header (JA1, pin 17).	-
R321	Connects D2_IRQ2 (MCU, pin 84) to the application header (JA2, pin 23).	Disconnects D2_IRQ2 (MCU, pin 84) from the application header (JA2, pin 23).	-
R322	Connects D0_IRQ0 (MCU, pin 86) to the application header (JA2, pin 7).	Disconnects D0_IRQ0 (MCU, pin 86) from the application header (JA2, pin 7).	-
R323	Connects A11_MTI0C0A (MCU, pin 57) to the application header (JA2, pin 7) via R371.	Disconnects A11_MTI0C0A (MCU, pin 57) from the application header (JA2, pin 7).	R371
R325	Connects A1_MTI0C0B (MCU, pin 69) to the application header (JA2, pin 9) via R372.	Disconnects A1_MTI0C0B (MCU, pin 69) from the application header (JA2, pin 9).	R372

Table 6-5: External Bus Option Links (continued overleaf)

Reference	Link Fitted Configuration	Link Removed Configuration	Related Ref.
R327	Connects D9_IO1 (MCU, pin 77) to the application header (JA1, pin 16).	Disconnects D9_IO1 (MCU, pin 77) from the application header (JA1, pin 16).	-
R328	Connects D8_IO0 (MCU, pin 78) to the application header (JA1, pin 15).	Disconnects D8_IO0 (MCU, pin 78) from the application header (JA1, pin 15).	-
R331	Connects A15_TXD9 (MCU, pin 53) to the RS232 IC (U9, pin 12) via R64.	Disconnects A15_TXD9 (MCU, pin 53) from the RS232 IC (U9, pin 12) via R64.	R64
R332	Connects A14_RXD9 (MCU, pin 54) to the RS232 IC (U9, pin 10) via R81.	Disconnects A14_RXD9 (MCU, pin 54) from the RS232 IC (U9, pin 10) via R81.	R81
R333	Connects A13_SCK9 (MCU, pin 55) to the application header (JA6, pin 11).	Disconnects A13_SCK9 (MCU, pin 55) from the application header (JA6, pin 11).	-
R342	Connects MTIOC4A_CS0n (MCU, pin 24) to the application header (JA2, pin 15).	Disconnects MTIOC4A_CS0n (MCU, pin 24) from the application header (JA2, pin 15).	R347
R343	Connects MTIOC4C_CS1n (MCU, pin 23) to the application header (JA2, pin 16).	Disconnects MTIOC4C_CS1n (MCU, pin 23) from the application header (JA2, pin 16).	R346
R344	Connects TXD1_CS2n (MCU, pin 22) to RS232 IC (U9, pin 13) via R60.	Disconnects TXD1_CS2n (MCU, pin 22) from RS232 IC (U9, pin 13).	R60, R150, R256, R280, R378, R345
R366	Connects D1_IRQ1 (MCU, pin 85) to the application header (JA2, pin 9).	Disconnects D1_IRQ1 (MCU, pin 85) from the application header (JA2, pin 9).	-
R367	Connects A6_MTIC5V (MCU, pin 64) to the application header (JA6, pin 15).	Disconnects A6_MTIC5V (MCU, pin 64) from the application header (JA6, pin 15).	-
R368	Connects D5_IRQ5 (MCU, pin 81) to the application header (JA5, 10).	Disconnects D5_IRQ5 (MCU, pin 81) from the application header (JA5, 10).	-
R369	Connects D3_IRQ3 (MCU, pin 83) to the application header (JA1, pin 23).	Disconnects D3_IRQ3 (MCU, pin 83) from the application header (JA1, pin 23).	-
R377	Connects D4_IRQ4 (MCU, pin 82) to the application header (JA5, pin 9).	Disconnects D4_IRQ4 (MCU, pin 82) from the application header (JA5, pin 9).	-

Table 6-5: External Bus Option Links (continuation)

6.7 IRQ & General I/O Pin Configuration

Table 6-6 below details the function of the option links associated with IRQ and general I/O pin configuration.

Reference	Link Fitted Configuration	Link Removed Configuration	Related Ref.
R303	Connects LED1_MTCLKB (MCU, pin 31) to the application header (JA2, pin 26).	Disconnects LED1_MTCLKB (MCU, pin 31) from the application header (JA2, pin 26).	R334
R304	Connects LED0_MTCLKA (MCU, pin 32) to the application header (JA2, pin 25).	Disconnects LED0_MTCLKA (MCU, pin 32) from the application header (JA2, pin 25).	R335
R305	Connects DLCDE_MTIIOC3C (MCU, pin 4) to the application header (JA2, pin 11).	Disconnects DLCDE_MTIIOC3C (MCU, pin 4) from the application header (JA2, pin 11).	R336
R306	Connects DLCDRS_MTIIOC3A (MCU, pin 6) to the application header (JA6, pin 13).	Disconnects DLCDRS_MTIIOC3A (MCU, pin 6) from the application header (JA6, pin 13).	R337
R307	Connects LED3_MTIIOC3B (MCU, pin 29) to the application header (JA2, pin 13).	Disconnects LED3_MTIIOC3B (MCU, pin 29) from the application header (JA2, pin 13).	R338
R308	Connects LED2_MTIIOC3D (MCU, pin 30) to the application header (JA2, pin 14).	Disconnects LED2_MTIIOC3D (MCU, pin 30) from the application header (JA2, pin 14).	R339
R329	Connects DLCD5_TMO0 (MCU, pin 37) to the TMO0 (JA2, pin 19).	Disconnects DLCD5_TMO0 (MCU, pin 37) from the TMO0 (JA2, pin 19).	R340
R330	Connects SDA_TMO3 (MCU, pin 33) to the TMO3 (JA2, pin 20).	Disconnects SDA_TMO3 (MCU, pin 33) from TMO3 (JA2, pin 20).	R341
R334	Connects LED1_MTCLKB (MCU, pin 31) to LED1.	Disconnects LED1_MTCLKB (MCU, pin 31) from LED1.	R303
R335	Connects LED0_MTCLKA (MCU, pin 32) to LED0.	Disconnects LED0_MTCLKA (MCU, pin 32) from LED0.	R304
R336	Connects DLCDE_MTIIOC3C (MCU, pin 4) to DLCDE (LCD, pin 6).	Disconnects DLCDE_MTIIOC3C (MCU, pin 4) from DLCDE (LCD, pin 6).	R305
R337	Connects DLCDRS_MTIIOC3A (MCU, pin 6) to DLCDRS (LCD, pin 4).	Disconnects DLCDRS_MTIIOC3A (MCU, pin 6) from DLCDRS (LCD, pin 4).	R306
R338	Connects LED3_MTIIOC3B (MCU, pin 29) to LED3.	Disconnects LED3_MTIIOC3B (MCU, pin 29) from LED3.	R307
R339	Connects LED2_MTIIOC3D (MCU, pin 30) to LED2.	Disconnects LED2_MTIIOC3D (MCU, pin 30) from LED2.	R308
R340	Connects DLCD5_TMO0 (MCU, pin 37) to the DLCD5 (LCD, pin 12).	Disconnects DLCD5_TMO0 (MCU, pin 37) from the DLCD5 (LCD, pin 12).	R329
R341	Connects SDA_TMO3 (MCU, pin 33) to the SDA (U10, pin 5).	Disconnects SDA_TMO3 (MCU, pin 33) from SDA (U10, pin 5).	R330
R345	Connects TXD1_CS2n (MCU, pin 22) to Board_VCC.	Disconnects TXD1_CS2n (MCU, pin 22) from Board_VCC.	-
R346	Connects MTIOC4C_CS1n (MCU, pin 23) to Board_VCC.	Disconnects MTIOC4C_CS1n (MCU, pin 23) from Board_VCC.	-
R347	Connects MTIOC4A_CS0N (MCU, pin 24) to Board_VCC.	Disconnects MTIOC4A_CS0N (MCU, pin 24) from Board_VCC.	

Table 6-6 IRQ & General I/O Option Links (continued overleaf)

Reference	Link Fitted Configuration	Link Removed Configuration	Related Ref.
R351	Connects NMIIn (MCU, pin 15) to GROUND.	Disconnects NMIIn (MCU, pin 15) from GROUND.	-
R361	Connects RXD1 (MCU, pin 20) to the application header (JA6, pin 7).	Disconnects RXD1 (MCU, pin 20) from the application header (JA6, pin 7).	-
R362	Connects TXD1 (MCU, pin 22) to the application header (JA6, pin 8).	Disconnects TXD1 (MCU, pin 22) from the application header (JA6, pin 8).	-
R363	Connects SCK1 (MCU, pin 21) to the application header (JA6, pin 10).	Disconnects SCK1 (MCU, pin 21) from the application header (JA6, pin 10).	-
R364	Connects RXD0_MTI0C1B (MCU, pin 27) to the application header (JA2, pin 23) via R373.	Disconnects RXD0_MTI0C1B (MCU, pin 27) from the application header (JA2, pin 23) via R373.	R373, R365
R365	Connects RXD0_MTI0C1B (MCU, pin 27) to the RS232 IC (U9, pin 15) via R151.	Disconnects RXD0_MTI0C1B (MCU, pin 27) from the RS232 IC (U9, pin 15) via R150.	R150, R364
R370	Connects MTI0C0C (MCU, pin 59), via R312, to the application header (JA2, pin 23).	Disconnects MTI0C0C (MCU, pin 59) from the application header (JA2, pin 23).	R312, R373, R374
R371	Connects MTI0C0A (MCU, pin 57), via R323, to the application header (JA2, pin 7).	Disconnects MTI0C0A (MCU, pin 57) from the application header (JA2, pin 7).	R323, R375
R372	Connects A1_MTI0C0B (MCU, pin 69) to the application header (JA2, pin 9) via R325.	Disconnects A1_MTI0C0B (MCU, pin 69) from the application header (JA2, pin 9).	R325, R376
R373	Connects RXD0_MTI0C1B (MCU, pin 27) to the application header (JA2, pin 23) via R364.	Disconnects RXD0_MTI0C1B (MCU, pin 27) from the application header (JA2, pin 23).	R364, R370, R374
R374	Connects D2_IRQ2 (MCU, pin 84) to the application header (JA2, pin 23) via R321.	Disconnects D2_IRQ2 (MCU, pin 84) from the application header (JA2, pin 23).	R321, R370, R373
R375	Connects D0_IRQ0 (MCU, pin 86) to the application header (JA2, pin 7) via R322.	Disconnects D0_IRQ0 (MCU, pin 86) from the application header (JA2, pin 7).	R322, R371
R376	Connects D1_IRQ1 (MCU, pin 85) to the application header (JA2, pin 9) via R366.	Disconnects D1_IRQ1 (MCU, pin 85) from the application header (JA2, pin 9).	R366, R372
R378	Connects TXD1_CS2n (MCU, pin 22) to the application header (JA3, pin 45).	Disconnects TXD1_CS2n (MCU, pin 22) from the application header (JA3, pin 45).	-
R380	Connects SCK1 (MCU, pin 21) to Board_VCC.	Disconnects SCK1 (MCU, pin 21) from Board_VCC.	-

Table 6-6: IRQ & General I/O Option Links (continuation)

6.8 User Switch Configuration

Table 6-7 below details the function of the option links associated with user switches.

Reference	Link Fitted Configuration	Link Removed Configuration	Related Ref.
R59	Connects the MCU (nRES, pin 10) directly to the RES switch.	Disconnects the MCU (nRES, pin 10) from the RES switch.	-
R63	Connects the switch SW3 to SW3_IRQ4 (MCU, pin 16).	Disconnects the switch SW3 from SW3_IRQ4 (MCU, pin 16).	R301
R301	Connects the switch SW3 to ADTRG0n (MCU, pin 98).	Disconnects the switch SW3 from ADTRG0n (P07, pin 98).	R63

Table 6-7: User Switch Option Links

6.9 Power Supply Configuration

Table 6-8 below details the function of the option links associated with power supply configuration.

Reference	Link Fitted Configuration	Link Removed Configuration	Related Ref.
R68	Bypasses current measurement jumper J14.	Allows the current consumption of the MCU to be measured across J14.	J14
R76	Connects CON_5V to the power socket, via R102.	Disconnects CON_5V from the power socket (PWR pin).	J17, R83, R102
R83	Connects 5V to the power socket, via R102.	Disconnects 5V from the power socket (PWR pin).	J17, R76, R102
R102	Connects the power socket (PWR pin) to the voltage regulator (U11, pin 3).	Disconnects the Power socket (PWR pin) from the voltage regulator (U11, pin 3).	J17, R76, R83
R302	Connects CON_3V3 to J17, pin 2.	Disconnects CON_3V3 from J17, pin 2.	J17, R359
R359	Connects the voltage regulator output (U11, pin 2) to Board_VCC (bypassing J17).	Disconnects the voltage regulator output (U11, pin 2) from Board_VCC (still connectable via J17).	J17, R302

Table 6-8: Power Supply Option Links

Table 6-9 below details the function of the jumpers associated with power supply configuration.

Reference	Position One	Position Two	Position Three	Related Ref.
J15*	All pins open. The voltage regulator U11 is set to supply Board_VCC with 3.3V.	All pins closed. The voltage regulator U11 is set to supply Board_VCC with 1.62V.**	n/a	-
J17	All pins open. Disconnects Board_VCC from the voltage regulator U11. (bypassed by R359 when fitted, unfitted by default)	Pins 1 and 2 connected. The voltage regulator U11 is bypassed, and Board_VCC is supplied directly from the power socket (5V).	Pins 2 and 3 connected. Board_VCC is connected to the voltage regulator U11, supplying either 3.3V or 1.62V.	R359

Table 6-9: Power Supply Jumpers

* By default, this jumper is not fitted to the RSK. The default position is therefore all pins open.

** This option will disable the debug LCD. Refer to the power supply section, §2, for further information.

6.10 Clock Configuration

Table 6-10 below details the function of the option links associated with clock configuration.

Reference	Link Fitted Configuration	Link Removed Configuration	Related Ref.
R44	Connects CON_XCOUT (J1, pin 9) to the MCU (XCOUT, pin 9).	Disconnects CON_XCOUT (J1, pin 9) to the MCU (XCOUT, pin 9).	R47, R293
R46	Connects the crystal X1 to the MCU (XTAL, pin 11).	Disconnects the crystal X1 from the MCU (XTAL, pin 11).	R299, R300, R229*
R47	Connects CON_XCIN (J1, pin 8) to the MCU (XCIN, pin 8).	Disconnects CON_XCIN (J1, pin 8) to the MCU (XCIN, pin 8).	R44, R293
R293	Connects the crystal X3 to the MCU (XCOUT, pin 9).	Disconnects the crystal X3 from the MCU (XCOUT, pin 9).	R44, R47
R299	Connects CON_EXTAL (J1, pin 13) to the MCU (EXTAL, pin 13).	Disconnects CON_EXTAL (J1, pin 13) from the MCU (EXTAL, pin 13).	R46, R300
R300	Connects CON_XTAL (J1, pin 11) to the MCU (XTAL, pin 11).	Disconnects CON_XTAL (J1, pin 13) from the MCU (EXTAL, pin 13).	R46, R299

Table 6-10: Clock Option Links

* R229 enables fitting of a feedback resistor, as described on page 165 of the RX210 Group Hardware Manual. This is not normally required for usual RSK operation.

6.11 Debug LCD Configuration

Table 6-11 below details the function of the option links associated with debug LCD configuration.

Reference	Link Fitted Configuration	Link Removed Configuration	Related Ref.
R305	Connects DLCDE_MTIOC3C (MCU, pin 4) to the application header (JA2, pin 11).	Disconnects DLCDE_MTIOC3C (MCU, pin 4) from the application header (JA2, pin 11).	R336
R306	Connects DLCDRS_MTIOC3A (MCU, pin 6) to the application header (JA6, pin 13).	Disconnects DLCDRS_MTIOC3A (MCU, pin 6) from the application header (JA6, pin 13).	R337
R329	Connects DLCD5_TMO0 (MCU, pin 37) to the TMO0 (JA2, pin 19).	Disconnects DLCD5_TMO0 (MCU, pin 37) from the TMO0 (JA2, pin 19).	R340
R330	Connects SDA_TMO3 (MCU, pin 33) to the TMO3 (JA2, pin 20).	Disconnects SMA_TMO3 (MCU pin 33) from TMO3 (JA2, pin 20).	R341
R336	Connects DLCDE_MTIOC3C (MCU, pin 4) to DLCDE (LCD, pin 6).	Disconnects DLCDE_MTIOC3C (MCU, pin 4) from DLCDE (LCD, pin 6).	R305
R337	Connects DLCDRS_MTIOC3A (MCU, pin 6) to DLCDRS (LCD, pin 4).	Disconnects DLCDRS_MTIOC3A (MCU, pin 6) from DLCDRS (LCD, pin 4).	R306
R340	Connects DLCD5_TMO0 (MCU, pin 37) to the DLCD5 (LCD, pin 12).	Disconnects DLCD5_TMO0 (MCU, pin 37) from the DLCD5 (LCD, pin 12).	R329
R341	Connects SDA_TMO3 (MCU, pin 33) to SDA (U10, pin 5)	Disconnects SDA_TMO3 (MCU, pin 33) from SDA (U10, pin 5).	R330

Table 6-11: Debug LCD Option Links

6.12 IIC EEPROM Configuration

Table 6-12 below details the function of the option links associated with debug LCD configuration.

Reference	Link Fitted Configuration	Link Removed Configuration	Related Ref.
R285	Connects the EEPROM IC (U10, pin 7) to Board_VCC (enable write-protection)	Disconnects the EEPROM IC (U10, pin 7) from Board_VCC.	-
R286	Connects the EEPROM IC (U10, pin 1) to GROUND.	Disconnects the EEPROM IC (U10, pin 1) from GROUND.	R290*
R290	Connects the EEPROM IC (U10, pin 1) to Board_VCC	Disconnects the EEPROM IC (U10, pin 1) from Board_VCC	R286*
R358	Connects the MCU (SCL, pin 34) to the EEPROM IC (U10, pin 6).	Disconnects the MCU (SCL, pin 34) from the EEPROM IC (U10, pin 6).	-

Table 6-12: Debug LCD Option Links

* Caution: Do not fit both R286 and R290.

7. Headers

7.1 Application Headers

This RSK is fitted with application headers, which can be used to connect compatible Renesas application devices or as easy access to MCU pins.

Table 7-1 below lists the connections of the application header, JA1.

Application Header JA1					
Pin	Circuit Net Name	MCU Pin	Pin	Circuit Net Name	MCU Pin
1	5V	-	2	0V	-
3	3V3	-	4	0V	-
5	AVCC	-	6	AVSS	-
7	AVREF	-	8	ADTRG	-
9	AD0	95	10	AD1	93
11	AD2	92	12	AD3	91
13	DAC0	2	14	DAC1	100
15	IO_0	78	16	IO_1	77
17	IO_2	76	18	IO_3	75
19	IO_4	74	20	IO_5	73
21	IO_6	72	22	IO_7	71
23	IRQ3	83	24	IIC_EX	NC
25	IIC_SDA	33*	26	IIC_SCL	34*

Table 7-1: Application Header JA1 Connections

Table 7-2 below lists the connections of the application header, JA2.

Application Header JA2					
Pin	Circuit Net Name	MCU Pin	Pin	Circuit Net Name	MCU Pin
1	RESn	10	2	EXTAL	13*
3	NMIIn	15	4	Vss1	-
5	WDT_OVF	NC	6	SClATX	28
7	IRQ0	86	8	SClARX	27
9	IRQ1	85	10	SClACK	26
11	M1_UD	4	12	CTSRTS	25
13	M1_UP	29	14	M1_UN	30
15	M1_VP	24	16	M1_VN	23
17	M1_WP	50	18	M1_WN	49
19	TMR0	37*	20	TMR1	33*
21	TRIGa	98	22	TRIGb	NC
23	IRQ2	84/59/27*	24	M1_POE	79
25	M1_TRCCLK	32	26	M1_TRDCLK	31

Table 7-2: Application Header JA2 Connections

* Connection made through option link

Table 7-3 below lists the connections of the BUS application header, JA3

Bus Application Header JA3					
Pin	Circuit Net Name	MCU Pin	Pin	Circuit Net Name	MCU Pin
1	A0	70	2	A1	69
3	A2	68	4	A3	67
5	A4	66	6	A5	65
7	A6	64	8	A7	63
9	A8	61	10	A9	59
11	A10	58	12	A11	57
13	A12	56	14	A13	55
15	A14	54	16	A15	53
17	D0	86	18	D1	85
19	D2	84	20	D3	83
21	D4	82	22	D5	81
23	D6	80	24	D7	79
25	RDn	42	26	WRn	44
27	CSan	24	28	CSbn	23
29	D8	78	30	D9	77
31	D10	76	32	D11	75
33	D12	74	34	D13	73
35	D14	72	36	D15	71
37	A16	52	38	A17	51
39	A18	50	40	A19	49
41	A20	48	42	A21	47
43	A22	46	44	-	NC
45	CScn	22	46	ALE	40
47	HWRn	43	48	LWRn	44
49	CAS	NC	50	RAS	NC

Table 7-3: Bus Application Header JA3 Connections

Table 7-4 below lists the connections of the application header, JA5.

Application Header JA5					
Pin	Circuit Net Name	MCU Pin	Pin	Circuit Net Name	MCU Pin
1	AD4	90	2	AD5	89
3	AD6	88	4	AD7	87
5	CAN1TX	NC	6	CAN1RX	NC
7	CAN2TX	NC	8	CAN2RX	NC
9	IRQ4	82	10	IRQ5	81
11	M2_UD	NC	12	M2_Uin	NC
13	M2_Vin	NC	14	M2_Win	NC
15	M2_Toggle	NC	16	M2_POE	NC
17	M2_TRCCLK	NC	18	M2_TRDCLK	NC
19	M2_Up	NC	20	M2_Un	NC
21	M2_Vp	NC	22	M2_Vn	NC
23	M2_WP	NC	24	M2_Wn	NC

Table 7-4: Application Header JA5 Connections

Table 7-5 below lists the connections of the application header, JA6.

Application Header JA6					
Pin	Circuit Net Name	MCU Pin	Pin	Circuit Net Name	MCU Pin
1	DREQ	NC	2	DACK	NC
3	TEND	NC	4	STBYn	NC
5	RS232TX	-	6	RS232RX	-
7	SCIbRX	20	8	SCIbTX	22
9	SClclTX	53	10	SClclCK	21
11	SClclCK	55	12	SClclRX	54
13	M1_Toggle	6	14	M1_Uin	66
15	M1_Vin	64	16	M1_Win	61
17	Reserved	NC	18	Reserved	NC
19	Reserved	NC	20	Reserved	NC
21	Reserved	NC	22	Reserved	NC
23	Unregulated_VCC	NC	24	GROUND	-

Table 7-5: Application Header JA6 Connections

7.2 Microcontroller Pin Headers

This RSK is fitted with MCU pin headers, which are used to access all the MCU's pins.

Table 7-6 below lists the connections of the pin header, J1.

Pin Header J1					
Pin	Circuit Net Name	MCU Pin	Pin	Circuit Net Name	MCU Pin
1	CON_VREFH	NC	2	DA0	2
3	CON_VREFL	NC	4	DLCDE_MTIOC3C	4
5	NC	NC	6	DLCDRS_MTIOC3A	6
7	MODE	7	8	CON_XCIN	8*
9	CON_XCOUT	9*	10	RESET_N	10
11	CON_XTAL	11*	12	GROUND	-
13	CON_EXTAL	13*	14	UC_VCC	-
15	NMIIn	15	16	SW3_IRQ4	16
17	SW2_IRQ3	17	18	P32	18
19	SW1_IRQ1	19	20	RXD1	20
21	SCK1	21	22	TXD1_CS2n	22
23	MTIOC4C_CS1n	23	24	MTIOC4A_CS0n	24
25	CTS0RTS0	25	26	NC	NC
27	NC	NC	28	NC	NC
29	NC	NC	30	NC	NC
31	NC	NC	32	NC	NC
33	NC	NC	34	NC	NC
35	NC	NC	36	NC	NC

Table 7-6: Pin Header J1 Connections

* Connection made through option link

Table 7-7 below lists the connections of the pin header, J2.

Pin Header J2					
Pin	Circuit Net Name	MCU Pin	Pin	Circuit Net Name	MCU Pin
1	SCK0	26	2	RXD0_MTIOC1B	27
3	TXD0	28	4	LED3_MTIOC3B	29
5	LED2_MTIOC3D	30	6	LED1_MTCLKB	31
7	LED0_MTCLKA	32	8	SDA_TMO3	33
9	SCL	34	10	DLCD7	35
11	DLCD6	36	12	DLCD5_TMO0	37
13	DLCD4	38	14	nWAIT	39
15	ALE	40	16	BCLK_P53	41
17	nRD	42	18	nWR1	43
19	nWR	44	20	UB	45
21	A22	46	22	A21	47
23	A20	48	24	A19_MTIOC4D	49
25	A18_MTIOC4B	50	26	NC	NC
27	NC	NC	28	NC	NC
29	NC	NC	30	NC	NC
31	NC	NC	32	NC	NC
33	NC	NC	34	NC	NC
35	NC	NC	36	NC	NC

Table 7-7: Pin Header J2 Connections

Table 7-8 below lists the connections of the pin header, J3.

Pin Header J3					
Pin	Circuit Net Name	MCU Pin	Pin	Circuit Net Name	MCU Pin
1	A17	51	2	A16	52
3	A15_TXD9	53	4	A14_RXD9	54
5	A13_SCK9	55	6	A12	56
7	A11_MTI0C0A	57	8	A10	58
9	A9_MTI0C0C	59	10	UC_VCC	-
11	A8_MTI0C5W	61	12	GROUND	-
13	A7	63	14	A6_MTI0C5V	64
15	A5	65	16	A4_MTI0C5U	66
17	A3	67	18	A2	68
19	A1_MTI0C0B	69	20	A0	70
21	D15_IO7	71	22	D14_IO6	72
23	D13_IO5	73	24	D12_IO4	74
25	D11_IO3	75	26	NC	NC
27	NC	NC	28	NC	NC
29	NC	NC	30	NC	NC
31	NC	NC	32	NC	NC
33	NC	NC	34	NC	NC
35	NC	NC	36	NC	NC

Table 7-8: Pin Header J3 Connections

Table 7-9 below lists the connections of the pin header, J4.

Pin Header J4					
Pin	Circuit Net Name	MCU Pin	Pin	Circuit Net Name	MCU Pin
1	D10_IO2	76	2	D9_IO1	77
3	D8_IO0	78	4	D7_POE0	79
5	D6	80	6	D5_IRQ5	81
7	D4_IRQ4	82	8	D3_IRQ3	83
9	D2_IRQ2	84	10	D1_IRQ1	85
11	D0_IRQ0	86	12	AN007	87
13	AN006	88	14	AN005	89
15	AN004	90	16	AN003	91
17	AN002	92	18	AN001	93
19	CON_VREFL0	94*	20	AD_POT	95
21	CON_VREFH0	96*	22	AVCC	-
23	ADTRG0n	98	24	GROUND	-
25	DA1	100	26	NC	NC
27	NC	NC	28	NC	NC
29	NC	NC	30	NC	NC
31	NC	NC	32	NC	NC
33	NC	NC	34	NC	NC
35	NC	NC	36	NC	NC

Table 7-9: Pin Header J4 Connections

8. Code Development

8.1 Overview

For all code debugging using Renesas software tools, the RSK board must be connected to a PC via an E1/E20 debugger. An E1 debugger is supplied with this RSK product.

For further information regarding the debugging capabilities of the E1/E20 debuggers, refer to E1/E20 Emulator Additional Document for User's Manual (R20UT0399EJ).

8.2 Compiler Restrictions

The compiler supplied with this RSK is fully functional for a period of 60 days from first use. After the first 60 days of use have expired, the compiler will default to a maximum of 128k code and data. To use the compiler with programs greater than this size you need to purchase the full tools from your distributor.

The protection software for the compiler will detect changes to the system clock. Changes to the system clock back in time may cause the trial period to expire prematurely.

8.3 Mode Support

The MCU supports Single Chip, Boot and USB Boot modes, which are configured on the RSK board. Details of the modifications required can be found in §6. All other MCU operating modes are configured within the MCU's registers, which are listed in the RX210 Group Hardware Manual.

Only ever change the MCU operating mode whilst the RSK is in reset, or turned off; otherwise the MCU may become damaged as a result.

8.4 Debugging Support

The E1 emulator (as supplied with this RSK) supports break points, event points (including mid-execution insertion) and basic trace functionality. It is limited to a maximum of 8 on-chip event points, 256 software breaks and 256 branch/cycle trace. For further details, refer RX Family E1/E20 Emulator User's Manual (R20UT0398EJ).

8.5 Address Space

Figure 8-1 below details the address space of the MCU. The MCU fitted to the RSK has 1MB of ROM. For further details, refer to the RX210 Group Hardware Manual.

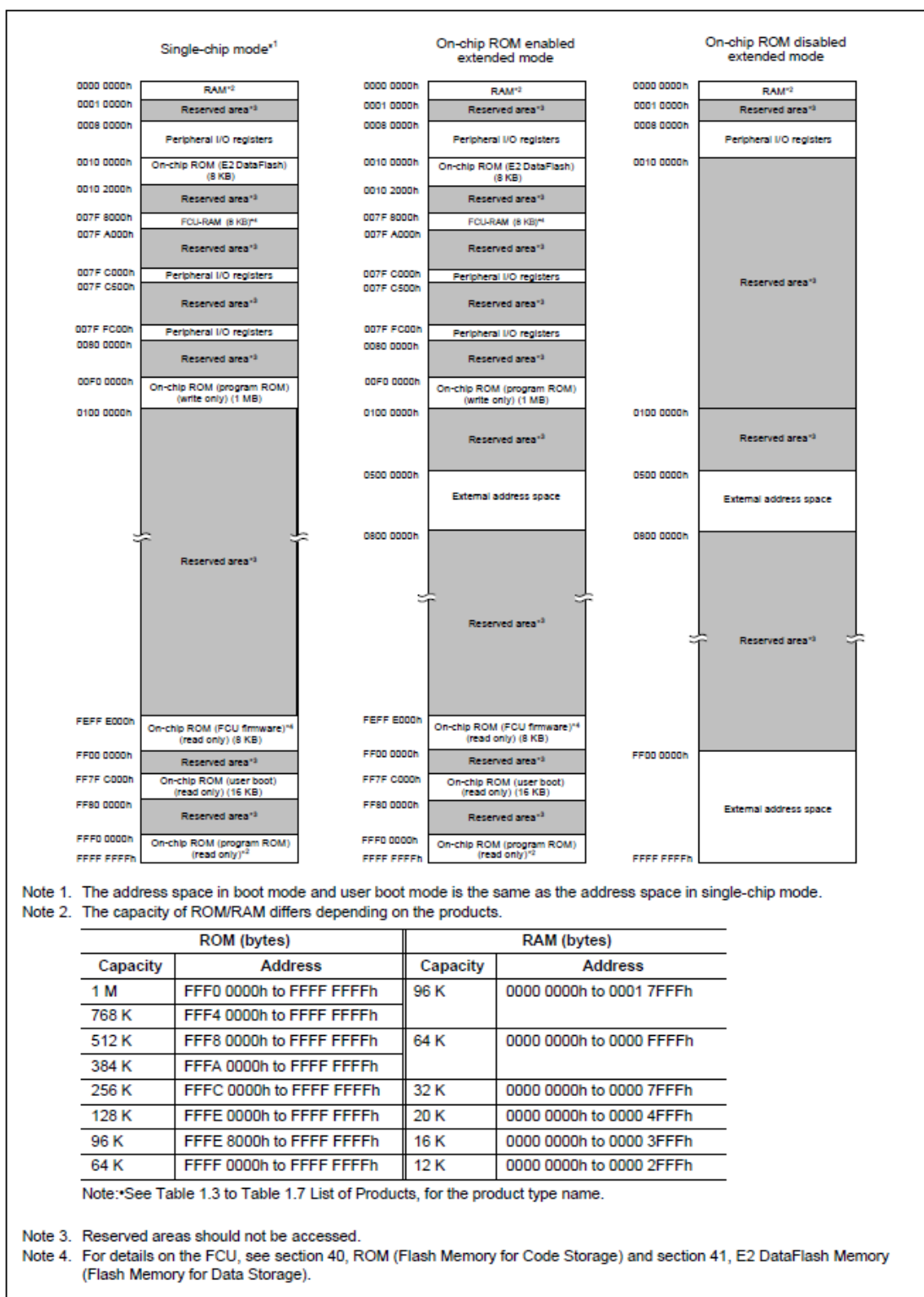


Figure 8-1: MCU Address Space Diagram

9. Additional Information

Technical Support

For details on how to use High-performance Embedded Workshop (HEW), refer to the HEW manual available on the CD or from the web site.

For information about the RX210 series microcontrollers refer to the RX210 Group Hardware Manual.

For information about the RX assembly language, refer to the RX200 Series Software Manual.

Online technical support and information is available at: <http://www.renesas.com/rskrx210b>

Technical Contact Details

Please refer to the contact details listed in section 7 of the “Quick Start Guide”

General information on Renesas Microcontrollers can be found on the Renesas website at: <http://www.renesas.com/>

Trademarks

All brand or product names used in this manual are trademarks or registered trademarks of their respective companies or organisations.

Copyright

This document may be, wholly or partially, subject to change without notice. All rights reserved. Duplication of this document, either in whole or part is prohibited without the written permission of Renesas Electronics Europe Limited.

© 2013 Renesas Electronics Europe Limited. All rights reserved.

© 2013 Renesas Electronics Corporation. All rights reserved.

© 2013 Renesas Solutions Corp. All rights reserved.

REVISION HISTORY	RSK RX210B User's Manual
-------------------------	---------------------------------

Rev.	Date	Description	
		Page	Summary
1.00	May 02, 2013	—	First Edition issued

Renesas Starter Kit User's Manual: User's Manual

Publication Date: Rev. 1.00 May 02, 2013

Published by: Renesas Electronics Corporation



Renesas Electronics Corporation

<http://www.renesas.com>

SALES OFFICES

Refer to "<http://www.renesas.com/>" for the latest and detailed information.

Renesas Electronics America Inc.

2880 Scott Boulevard Santa Clara, CA 95050-2554, U.S.A.
Tel: +1-408-588-6000, Fax: +1-408-588-6130

Renesas Electronics Canada Limited

1101 Nicholson Road, Newmarket, Ontario L3Y 9C3, Canada
Tel: +1-905-898-5441, Fax: +1-905-898-3220

Renesas Electronics Europe Limited

Dukes Meadow, Millboard Road, Bourne End, Buckinghamshire, SL8 5FH, U.K
Tel: +44-1628-651-700, Fax: +44-1628-651-804

Renesas Electronics Europe GmbH

Arcadiastrasse 10, 40472 Düsseldorf, Germany
Tel: +49-211-65030, Fax: +49-211-6503-1327

Renesas Electronics (China) Co., Ltd.

7th Floor, Quantum Plaza, No.27 ZhiChunLu Haidian District, Beijing 100083, P.R.China
Tel: +86-10-8235-1155, Fax: +86-10-8235-7679

Renesas Electronics (Shanghai) Co., Ltd.

Unit 204, 205, AZIA Center, No.1233 Lujiazui Ring Rd., Pudong District, Shanghai 200120, China
Tel: +86-21-5877-1818, Fax: +86-21-6887-7858 / -7898

Renesas Electronics Hong Kong Limited

Unit 1601-1613, 16/F., Tower 2, Grand Century Place, 193 Prince Edward Road West, Mongkok, Kowloon, Hong Kong
Tel: +852-2886-9318, Fax: +852 2886-9022/9044

Renesas Electronics Taiwan Co., Ltd.

13F, No. 363, Fu Shing North Road, Taipei, Taiwan
Tel: +886-2-8175-9600, Fax: +886 2-8175-9670

Renesas Electronics Singapore Pte. Ltd.

80 Bendemeer Road, Unit #06-02 Hyflux Innovation Centre Singapore 339949
Tel: +65-6213-0200, Fax: +65-6213-0300

Renesas Electronics Malaysia Sdn.Bhd.

Unit 906, Block B, Menara Amcorp, Amcorp Trade Centre, No. 18, Jln Persiaran Barat, 46050 Petaling Jaya, Selangor Darul Ehsan, Malaysia
Tel: +60-3-7955-9390, Fax: +60-3-7955-9510

Renesas Electronics Korea Co., Ltd.

11F., Samik Lavied' or Bldg., 720-2 Yeoksam-Dong, Kangnam-Ku, Seoul 135-080, Korea
Tel: +82-2-558-3737, Fax: +82-2-558-5141

RX210 Group (B Mask)