

RH850 Evaluation Platform

RH850/U2B 373pin

User's Manual: Piggyback Board

Y-RH850-U2B-373PIN-PB-T1-V1

The newest version of this document can be obtained from the following web location:
[MyRenesas](#)

All information contained in these materials, including products and product specifications, represents information on the product at the time of publication and is subject to change by Renesas Electronics Corp. without notice. Please review the latest information published by Renesas Electronics Corp. through various means, including the Renesas Electronics Corp. website (<https://www.renesas.com>)

Notice

1. Descriptions of circuits, software and other related information in this document are provided only to illustrate the operation of semiconductor products and application examples. You are fully responsible for the incorporation or any other use of the circuits, software, and information in the design of your product or system. Renesas Electronics disclaims any and all liability for any losses and damages incurred by you or third parties arising from the use of these circuits, software, or information.
2. Renesas Electronics hereby expressly disclaims any warranties against and liability for infringement or any other claims involving patents, copyrights, or other intellectual property rights of third parties, by or arising from the use of Renesas Electronics products or technical information described in this document, including but not limited to, the product data, drawings, charts, programs, algorithms, and application examples.
3. No license, express, implied or otherwise, is granted hereby under any patents, copyrights or other intellectual property rights of Renesas Electronics or others.
4. You shall be responsible for determining what licenses are required from any third parties, and obtaining such licenses for the lawful import, export, manufacture, sales, utilization, distribution or other disposal of any products incorporating Renesas Electronics products, if required.
5. You shall not alter, modify, copy, or reverse engineer any Renesas Electronics product, whether in whole or in part. Renesas Electronics disclaims any and all liability for any losses or damages incurred by you or third parties arising from such alteration, modification, copying or reverse engineering.
6. Renesas Electronics products are classified according to the following two quality grades: "Standard" and "High Quality". The intended applications for each Renesas Electronics product depends on the product's quality grade, as indicated below.
 - "Standard": Computers; office equipment; communications equipment; test and measurement equipment; audio and visual equipment; home electronic appliances; machine tools; personal electronic equipment; industrial robots; etc.
 - "High Quality": Transportation equipment (automobiles, trains, ships, etc.); traffic control (traffic lights); large-scale communication equipment; key financial terminal systems; safety control equipment; etc.Unless expressly designated as a high reliability product or a product for harsh environments in a Renesas Electronics data sheet or other Renesas Electronics document, Renesas Electronics products are not intended or authorized for use in products or systems that may pose a direct threat to human life or bodily injury (artificial life support devices or systems; surgical implantations; etc.), or may cause serious property damage (space system; undersea repeaters; nuclear power control systems; aircraft control systems; key plant systems; military equipment; etc.). Renesas Electronics disclaims any and all liability for any damages or losses incurred by you or any third parties arising from the use of any Renesas Electronics product that is inconsistent with any Renesas Electronics data sheet, user's manual or other Renesas Electronics document.
7. No semiconductor product is absolutely secure. Notwithstanding any security measures or features that may be implemented in Renesas Electronics hardware or software products, Renesas Electronics shall have absolutely no liability arising out of any vulnerability or security breach, including but not limited to any unauthorized access to or use of a Renesas Electronics product or a system that uses a Renesas Electronics product. RENESAS ELECTRONICS DOES NOT WARRANT OR GUARANTEE THAT RENESAS ELECTRONICS PRODUCTS, OR ANY SYSTEMS CREATED USING RENESAS ELECTRONICS PRODUCTS WILL BE INVULNERABLE OR FREE FROM CORRUPTION, ATTACK, VIRUSES, INTERFERENCE, HACKING, DATA LOSS OR THEFT, OR OTHER SECURITY INTRUSION ("Vulnerability Issues"). RENESAS ELECTRONICS DISCLAIMS ANY AND ALL RESPONSIBILITY OR LIABILITY ARISING FROM OR RELATED TO ANY VULNERABILITY ISSUES. FURTHERMORE, TO THE EXTENT PERMITTED BY APPLICABLE LAW, RENESAS ELECTRONICS DISCLAIMS ANY AND ALL WARRANTIES, EXPRESS OR IMPLIED, WITH RESPECT TO THIS DOCUMENT AND ANY RELATED OR ACCOMPANYING SOFTWARE OR HARDWARE, INCLUDING BUT NOT LIMITED TO THE IMPLIED WARRANTIES OF MERCHANTABILITY, OR FITNESS FOR A PARTICULAR PURPOSE.
8. When using Renesas Electronics products, refer to the latest product information (data sheets, user's manuals, application notes, "General Notes for Handling and Using Semiconductor Devices" in the reliability handbook, etc.), and ensure that usage conditions are within the ranges specified by Renesas Electronics with respect to maximum ratings, operating power supply voltage range, heat dissipation characteristics, installation, etc. Renesas Electronics disclaims any and all liability for any malfunctions, failure or accident arising out of the use of Renesas Electronics products outside of such specified ranges.
9. Although Renesas Electronics endeavors to improve the quality and reliability of Renesas Electronics products, semiconductor products have specific characteristics, such as the occurrence of failure at a certain rate and malfunctions under certain use conditions. Unless designated as a high reliability product or a product for harsh environments in a Renesas Electronics data sheet or other Renesas Electronics document, Renesas Electronics products are not subject to radiation resistance design. You are responsible for implementing safety measures to guard against the possibility of bodily injury, injury or damage caused by fire, and/or danger to the public in the event of a failure or malfunction of Renesas Electronics products, such as safety design for hardware and software, including but not limited to redundancy, fire control and malfunction prevention, appropriate treatment for aging degradation or any other appropriate measures. Because the evaluation of microcomputer software alone is very difficult and impractical, you are responsible for evaluating the safety of the final products or systems manufactured by you.
10. Please contact a Renesas Electronics sales office for details as to environmental matters such as the environmental compatibility of each Renesas Electronics product. You are responsible for carefully and sufficiently investigating applicable laws and regulations that regulate the inclusion or use of controlled substances, including without limitation, the EU RoHS Directive, and using Renesas Electronics products in compliance with all these applicable laws and regulations. Renesas Electronics disclaims any and all liability for damages or losses occurring as a result of your noncompliance with applicable laws and regulations.
11. Renesas Electronics products and technologies shall not be used for or incorporated into any products or systems whose manufacture, use, or sale is prohibited under any applicable domestic or foreign laws or regulations. You shall comply with any applicable export control laws and regulations promulgated and administered by the governments of any countries asserting jurisdiction over the parties or transactions.
12. It is the responsibility of the buyer or distributor of Renesas Electronics products, or any other party who distributes, disposes of, or otherwise sells or transfers the product to a third party, to notify such third party in advance of the contents and conditions set forth in this document.
13. This document shall not be reprinted, reproduced or duplicated in any form, in whole or in part, without prior written consent of Renesas Electronics.
14. Please contact a Renesas Electronics sales office if you have any questions regarding the information contained in this document or Renesas Electronics products.

(Note1) "Renesas Electronics" as used in this document means Renesas Electronics Corporation and also includes its directly or indirectly controlled subsidiaries.

(Note2) "Renesas Electronics product(s)" means any product developed or manufactured by or for Renesas Electronics.

(Rev.5.0-1 October 2020)

Corporate Headquarters

TOYOSU FORESIA, 3-2-24 Toyosu,
Koto-ku, Tokyo 135-0061, Japan

www.renesas.com

Contact information

For further information on a product, technology, the most up-to-date version of a document, or your nearest sales office, please visit:
www.renesas.com/contact/.

Trademarks

Renesas and the Renesas logo are trademarks of Renesas Electronics Corporation. All trademarks and registered trademarks are the property of their respective owners.

General Precautions in the Handling of Microprocessing Unit and Microcontroller Unit Products

The following usage notes are applicable to all Microprocessing unit and Microcontroller unit products from Renesas. For detailed usage notes on the products covered by this document, refer to the relevant sections of the document as well as any technical updates that have been issued for the products.

1. Precaution against Electrostatic Discharge (ESD)

A strong electrical field, when exposed to a CMOS device, can cause destruction of the gate oxide and ultimately degrade the device operation. Steps must be taken to stop the generation of static electricity as much as possible, and quickly dissipate it when it occurs. Environmental control must be adequate. When it is dry, a humidifier should be used. This is recommended to avoid using insulators that can easily build up static electricity.

Semiconductor devices must be stored and transported in an anti-static container, static shielding bag or conductive material. All test and measurement tools including work benches and floors must be grounded. The operator must also be grounded using a wrist strap. Semiconductor devices must not be touched with bare hands. Similar precautions must be taken for printed circuit boards with mounted semiconductor devices.

2. Processing at power-on

The state of the product is undefined at the time when power is supplied. The states of internal circuits in the LSI are indeterminate and the states of register settings and pins are undefined at the time when power is supplied. In a finished product where the reset signal is applied to the external reset pin, the states of pins are not guaranteed from the time when power is supplied until the reset process is completed. In a similar way, the states of pins in a product that is reset by an on-chip power-on reset function are not guaranteed from the time when power is supplied until the power reaches the level at which resetting is specified.

3. Input of signal during power-off state

Do not input signals or an I/O pull-up power supply while the device is powered off. The current injection that results from input of such a signal or I/O pull-up power supply may cause malfunction and the abnormal current that passes in the device at this time may cause degradation of internal elements. Follow the guideline for input signal during power-off state as described in your product documentation.

4. Handling of unused pins

Handle unused pins in accordance with the directions given under handling of unused pins in the manual. The input pins of CMOS products are generally in the high-impedance state. In operation with an unused pin in the open-circuit state, extra electromagnetic noise is induced in the vicinity of the LSI, an associated shoot-through current flows internally, and malfunctions occur due to the false recognition of the pin state as an input signal become possible.

5. Clock signals

After applying a reset, only release the reset line after the operating clock signal becomes stable. When switching the clock signal during program execution, wait until the target clock signal is stabilized. When the clock signal is generated with an external resonator or from an external oscillator during a reset, ensure that the reset line is only released after full stabilization of the clock signal. Additionally, when switching to a clock signal produced with an external resonator or by an external oscillator while program execution is in progress, wait until the target clock signal is stable.

6. Voltage application waveform at input pin

Waveform distortion due to input noise or a reflected wave may cause malfunction. If the input of the CMOS device stays in the area between VIL (Max.) and VIH (Min.) due to noise, for example, the device may malfunction. Take care to prevent chattering noise from entering the device when the input level is fixed, and also in the transition period when the input level passes through the area between VIL (Max.) and VIH (Min.).

7. Prohibition of access to reserved addresses

Access to reserved addresses is prohibited. The reserved addresses are provided for possible future expansion of functions. Do not access these addresses as the correct operation of the LSI is not guaranteed.

8. Differences between products

Before changing from one product to another, for example to a product with a different part number, confirm that the change will not lead to problems.

The characteristics of a microprocessing unit or microcontroller unit products in the same group but having a different part number might differ in terms of internal memory capacity, layout pattern, and other factors, which can affect the ranges of electrical characteristics, such as characteristic values, operating margins, immunity to noise, and amount of radiated noise. When changing to a product with a different part number, implement a system-evaluation test for the given product.

Table of Contents

1.	Overview	7
1.1	Package Components	7
1.2	Supported Main Boards.....	8
1.3	Supported Microcontroller Devices	8
1.4	Main Features	9
1.5	Piggyback Board Views.....	10
1.6	Mounting of the Device.....	14
2.	Jumpers, Connectors, Switches and LEDs	15
2.1	Jumper Overview	16
2.2	Connector Overview.....	17
2.3	Switches Overview	18
2.4	LED Overview	18
3.	Power Supply	19
3.1	Board Power Connection	19
3.2	Voltage Distribution	20
3.3	Device Core Voltage (VDD) Selection	23
3.4	Power Supply LEDs	23
4.	Clock Supply	24
4.1	Main Oscillator.....	24
4.2	Programmable Oscillator.....	25
4.3	X1 and X2 on CN14	25
5.	Debug and Flash Programming Interfaces.....	26
6.	Other Circuitry	28
6.1	Operation Mode Selection.....	28
6.2	RESET Switch.....	29
6.3	Signaling LEDs.....	30
6.4	Pull-Up/Pull-Down Pin Header	31
6.5	Renesas High-Speed Bus RHSB0.....	32
6.6	Renesas High-Speed Bus RHSB1 and Multichannel Serial Peripheral Interface MSPI6.....	33
6.7	Renesas Multichannel Serial Peripheral Interface MSPI9	34
6.8	Renesas High-Speed Serial I/F RHSIF0.....	36
6.9	Automotive Ethernet Interfaces ETN0 and ETN1	38
6.10	Low Pass Filter	38
7.	Connectors	39
7.1	Connectors to the Main Board CN1 to CN3.....	39
7.1.1	Main Board Connector CN1	39
7.1.2	Main Board Connector CN2.....	41
7.1.3	Main Board Connector CN3.....	43
7.2	Debug Connector CN4	46

7.3	Device Ports Connectors CN5, CN6, CN13, CN14 and CN15	47
7.3.1	Device Ports Connector CN5	47
7.3.2	Device Ports Connector CN6	48
7.3.3	Device Ports Connector CN13	50
7.3.4	Device Ports Connector CN14	50
7.3.5	Device Ports Connector CN15	52
7.4	Ethernet Connector CN17, CN18, CN19 and CN22	53
7.5	RHSB1/MSPI6 Connector CN23	53
7.6	RHSB0 Connector CN24	54
7.7	MSPI9 Connector CN26	56
7.8	RHSIF0 Connector CN27	57
7.9	Pull-Up/Pull-Down Pin Header CN29	57
8.	Jumper Configuration Examples	58
8.1	Stand-Alone Operation with Power Supply by Debugger	58
8.2	Operation using FCC Device or Mass Production Device	59
8.3	Configuration Examples	62
8.3.1	General Settings	62
8.3.2	Jumper Indicators	62
8.3.3	Stand-Alone Operation with Single External Power Supply 3.3V: Minimum Configuration 1	63
8.3.4	Stand-Alone Operation with Single External Power Supply 5.0V: Minimum Configuration 2	64
8.3.5	Stand-Alone Operation with All External Power Supplies: Maximum Configuration	65
8.3.6	Operation on the Main Board: No External Supply	67
9.	Precautions	69
9.1	Power-Off Sequence	69
9.2	Power On Piggyback Board Without RH850 Microcontroller installed	69
10.	Mechanical Dimensions	70
11.	Schematics	71
11.1	Board Version D018705_06_V01	71
11.1.1	Page 1	72
11.1.2	Page 2	73
11.1.3	Page 3	74
11.1.4	Page 4	75
11.1.5	Page 5	76
11.1.6	Page 6	77
11.1.7	Page 7	78
11.1.8	Page 8	79
11.1.9	Page 9	80
11.2	Board Version D018705_06_V02	81
11.2.1	Page 1	82
11.2.2	Page 2	83
11.2.3	Page 3	84
11.2.4	Page 4	85
11.2.5	Page 5	86

11.2.6 Page 687
11.2.7 Page 788
11.2.8 Page 888
11.2.9 Page 990

1. Overview

The RH850/U2B 373pin piggyback board is part of the RH850 Evaluation Platform and serves as a simple and easy to use platform for evaluating the features and performance of Renesas Electronics' 32-bit RH850/U2B 373pin microcontrollers.

Notes

- This document describes the functionality of the piggyback board and guides the user through its operation.
For details on the operation of the microcontroller, refer to the device's Hardware User's Manual.
- In this document active low signals are marked by an appended 'Z' or '#' to the pin or signal name. E.g., the reset pin is named RESETZ or RESET#.
- In this document following abbreviations are used:
 - H level, L level: high or low signal level of a digital signal, the absolute voltage value depends on the signal

1.1 Package Components

The Y-RH850-U2B-373PIN-PB-T1-V1 product package consists of the following items. After you have unpacked the box, check if your Y-RH850-U2B-373PIN-PB-T1-V1 package contains all these items. *Table 1.1 Package Components for the Y-RH850-U2B-373PIN-PB-T1-V1* shows the packing components of the Y-RH850-U2B-373PIN-PB-T1-V1 package.

Table 1.1 Package Components for the Y-RH850-U2B-373PIN-PB-T1-V1

Item	Description	Quantity
D018705	RH850/U2B 373pin piggyback board	1
D018174	Documentation CD	1
D010816-24	China RoHS document	1
D018173-24	Product contents list	1
Jumpers (2-way, 0.1")	In the bag	47 (min. quantity)
D018487	Y-RH850-DEBUG-ADAPTER-F14T46	1
Red Hirschmann 4 mm power lab socket	In the bag	1
Würth PCB Terminal Block connector (including cable adapter plug)	In the bag	2 (only for board version D018705_06_V01)
TE MATEnet 1000BASE-T1 Ethernet Port connector	In the bag	2 (only for board version D018705_06_V01)

TE MATEnet 1000BASE-T1 Ethernet connection cable (1m)	In the bag	1 (only for board version D018705_06_V01)
Resonator, HC49, 16 / 24 / 25 / 40 MHz	In the bag	4
Resistors, 100 Ohm	In the bag	20

Note

Please keep the Y-RH850-U2B-373PIN-PB-T1-V1 box at hand for later reuse in sending the product for repairs or for other purposes. Always use the original box when transporting the Y-RH850-U2B-373PIN-PB-T1-V1. If packing of your product is not complete, it may be damaged during transportation.

1.2 Supported Main Boards

This piggyback board can be used as a standalone board, or it can be mated with a main board. The following main boards are supported:

- Y-RH850-X1X-MB-T1-V1
- Y-RH850-X1X-MB-T2-Vx
- Y-RH850-X2X-MB-T1-Vx
- Y-COMMON-MB-T1-V1

1.3 Supported Microcontroller Devices

The board is designed for use with the devices listed in Table 1.2.

Table 1.2 Devices that can be used with Y-RH850-U2B-373pin-PB-T1-V1

	FCC device	MP device	Comments
RH850/U2B10	R7F702Z2*EDBA	R7F70254*FABA-C	FCC: Sixth through ninth characters of the part name indicate U2Bx (BGA373) PKG: The last 2 characters of the part name indicate BGA373.

Note

None of the available devices that can be used with this piggyback board supports SGMII Ethernet interfaces. Thus pcb with board version D018705_06_V02 does not have the Ethernet interfaces populated. On pcb with board version D018705_06_V01 the Ethernet interfaces are populated, but they cannot be used as the processor does not support it. Configure the board as described in section 8.2 according to the device being used.

1.4 Main Features

- Burn-in socket for mounting of the device
- Several power set-up options
 - Combined operation with powering from main board
 - Stand-alone operation with single power supply (3.3 V or 5.0 V only)
 - Stand-alone operation with flexible, individual power supply (typ. 1.12 V, 3.3 V, 5.0 V)
Refer to *3.3 Device Core Voltage (VDD) Selection* for further details about VDD voltage.
- Debugging and programming interface:
 - 46-pin Aurora Debug Connector (e.g., for using E2 OCD Emulator using the 46 pin to 14 pin adapter Y-RH850-DEBUG-ADAPTER-F14T46, included)
- Pin headers for direct access to each device pin
- Reset switch
- External clock circuit with an exchangeable 16/20/24/25/40 MHz Crystal Resonator
- General purpose signaling LEDs
- Jumpers for device mode selection and other configuration options
- On-board interface connector for
 - Renesas High-Speed Serial I/F (RHSIF)
 - Renesas High Speed Bus (RHSB)
 - Multichannel Serial Peripheral Interface (MSPI)
- Operating temperature from 0 °C to +40 °C

1.5 Piggyback Board Views

The following figures show the top and bottom views of the piggyback board.

The figures show boards of all available versions with all components that are assembled at shipment. The board versions differ in the assembled components as in the later version D018705_06_V02 some circuits, that are not supported by RH850/U2B10, are not populated.

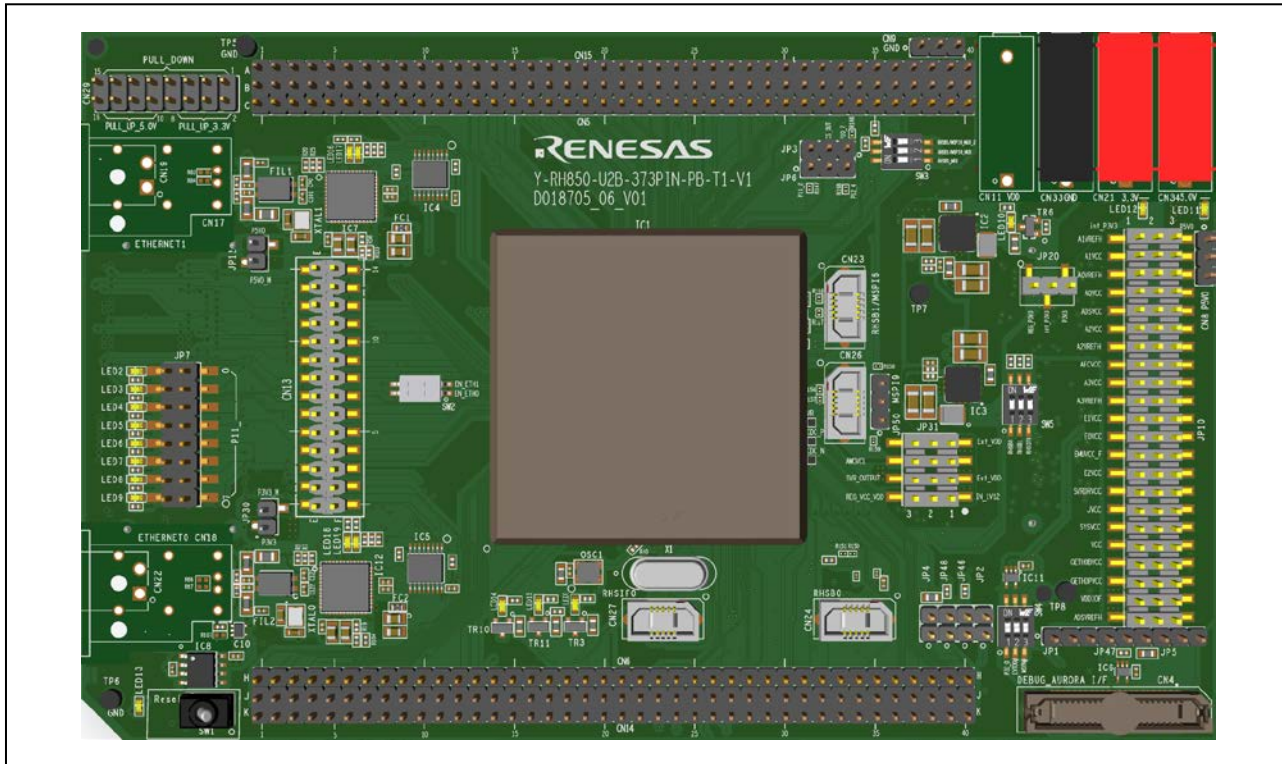


Figure 1.1 Piggyback board top view of board version D018705_06_V01

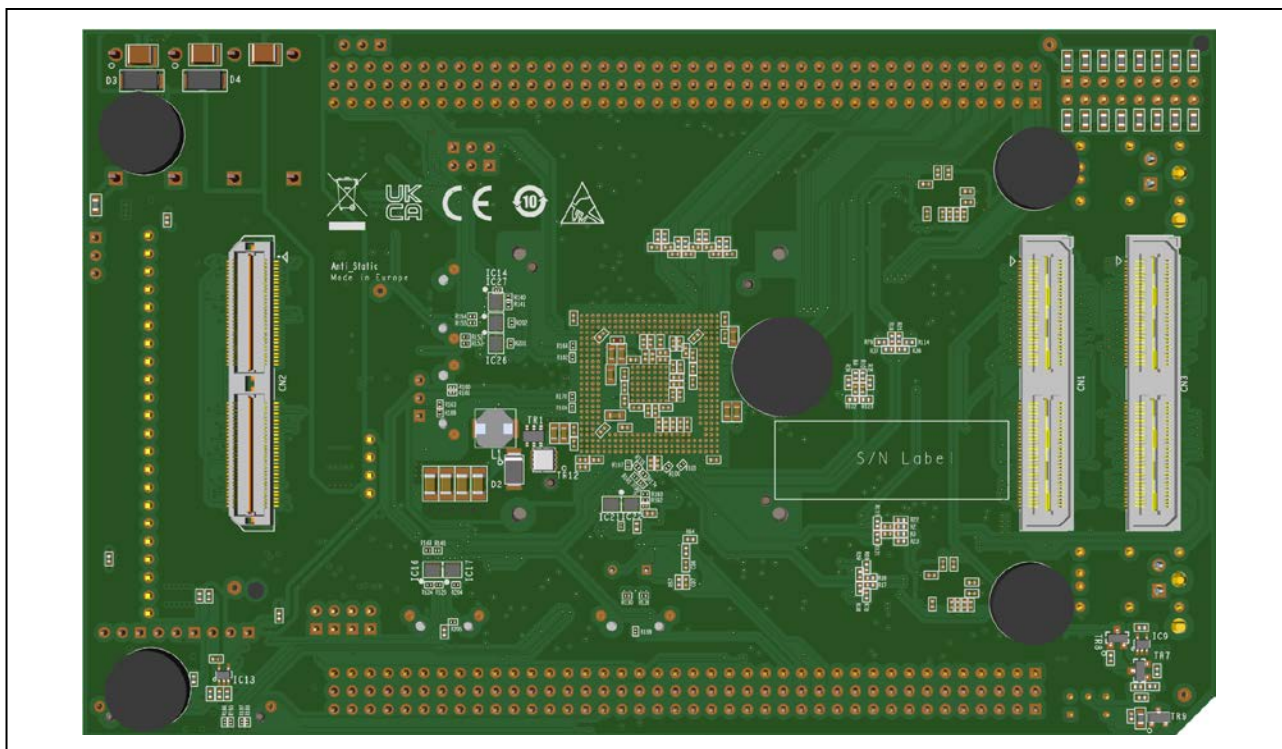


Figure 1.2 Piggyback board bottom view of board version D018705_06_V01

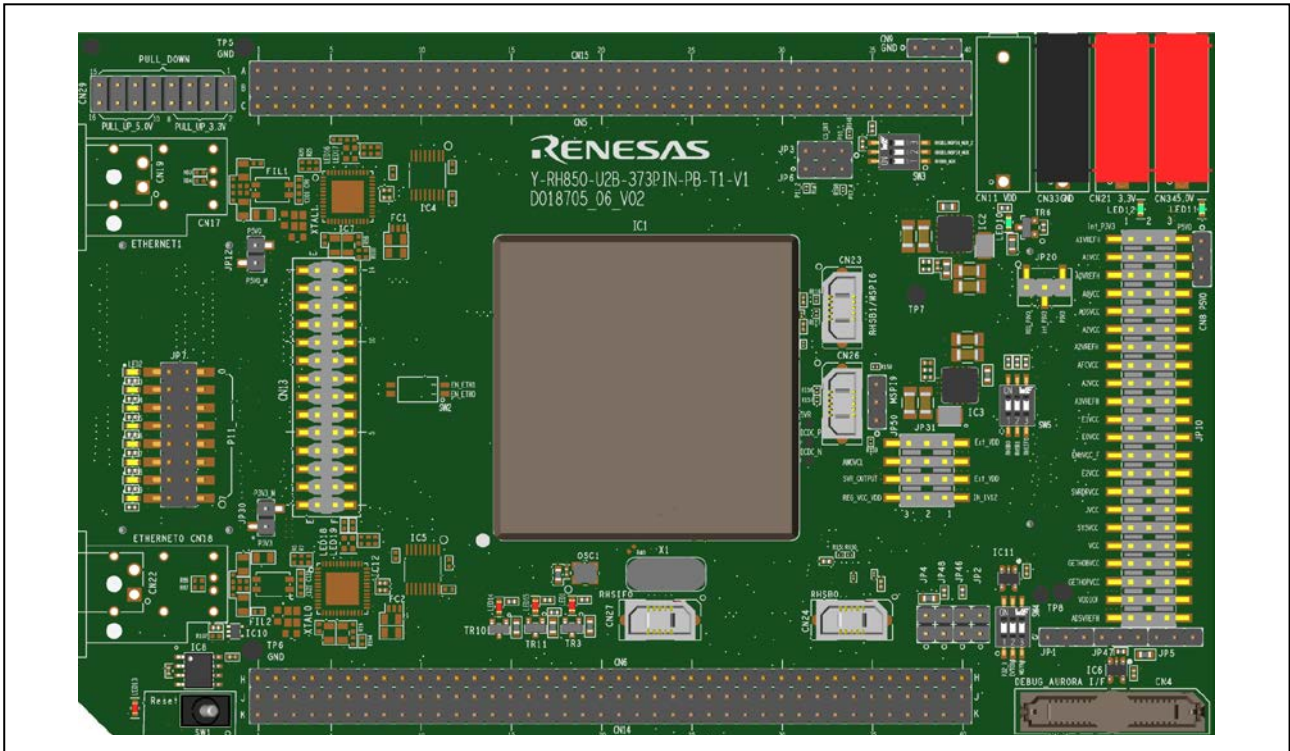


Figure 1.3 Piggyback board top view of board version D018705_06_V02

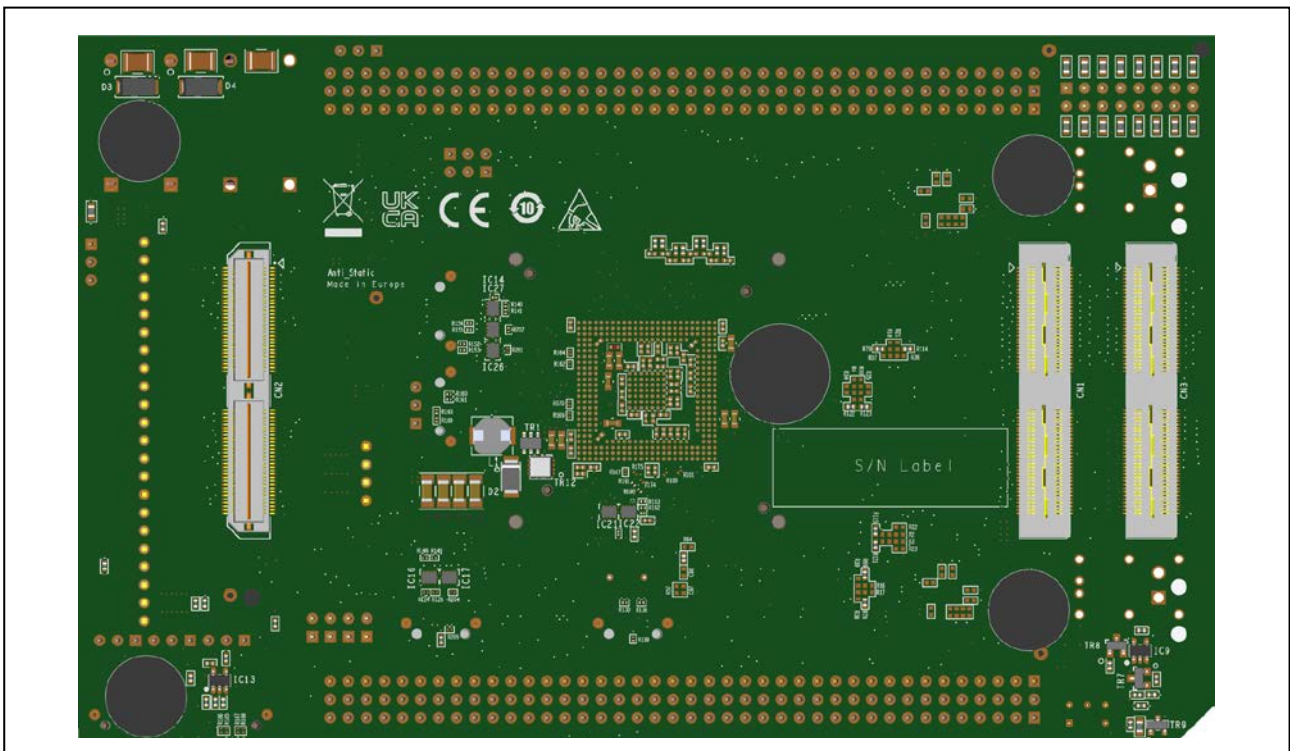


Figure 1.4 Piggyback board bottom view of board version D018705_06_V02

Following figures show the drawing of top and bottom views of the piggyback board.

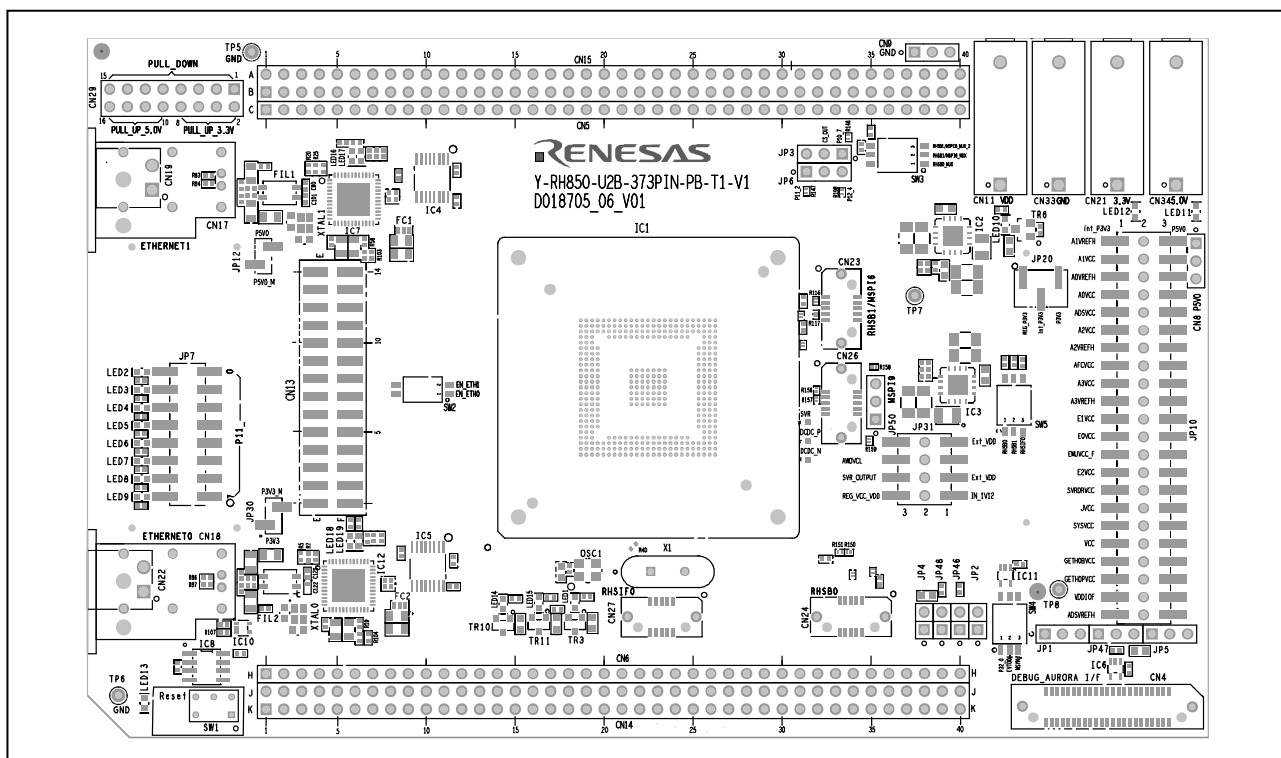


Figure 1.5 Piggyback Board top view of board version D018705_06_V01

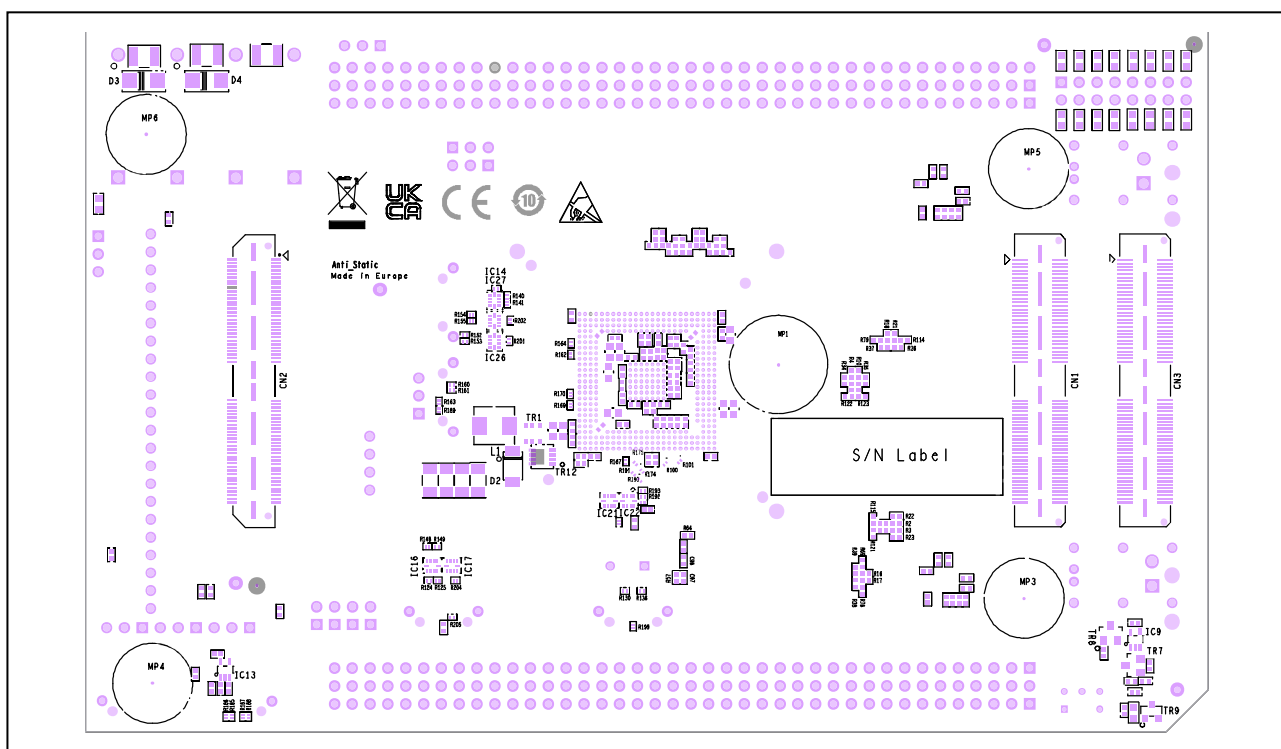


Figure 1.6 Piggyback Board bottom view of board version D018705_06_V01

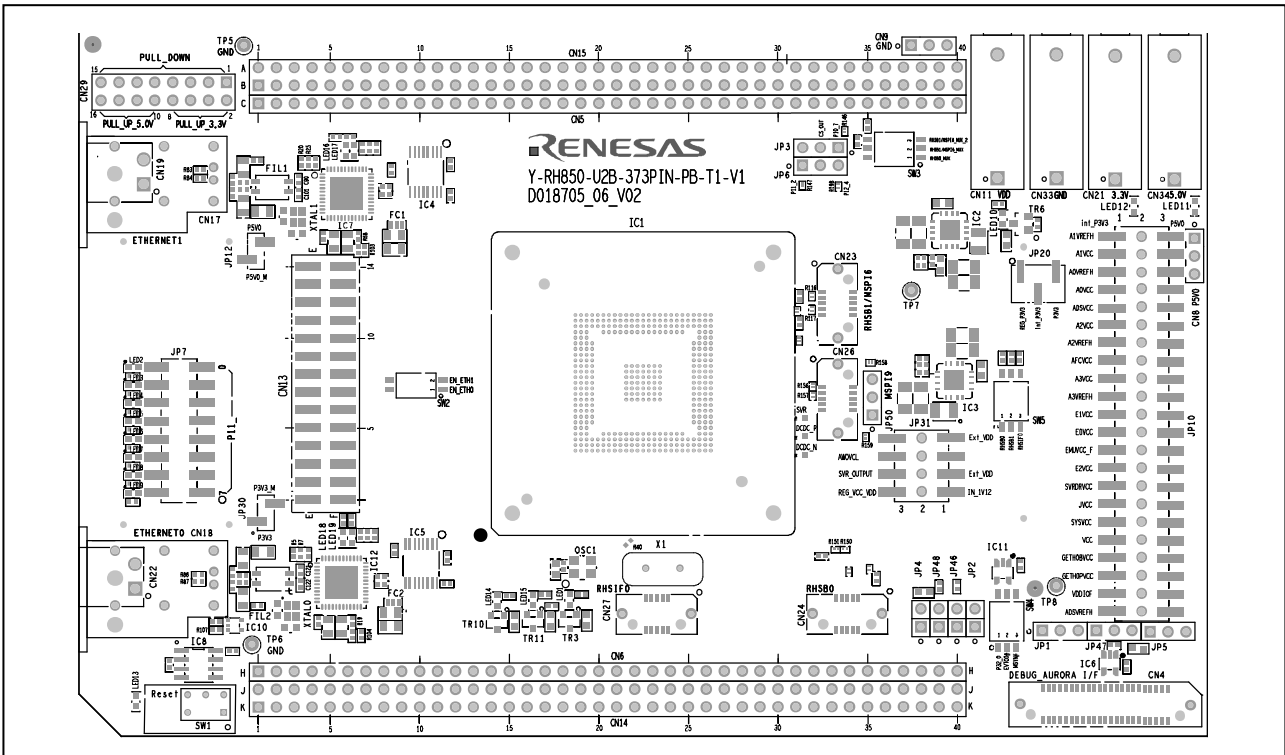


Figure 1.7 Piggyback Board top view of board version D018705_06_V02

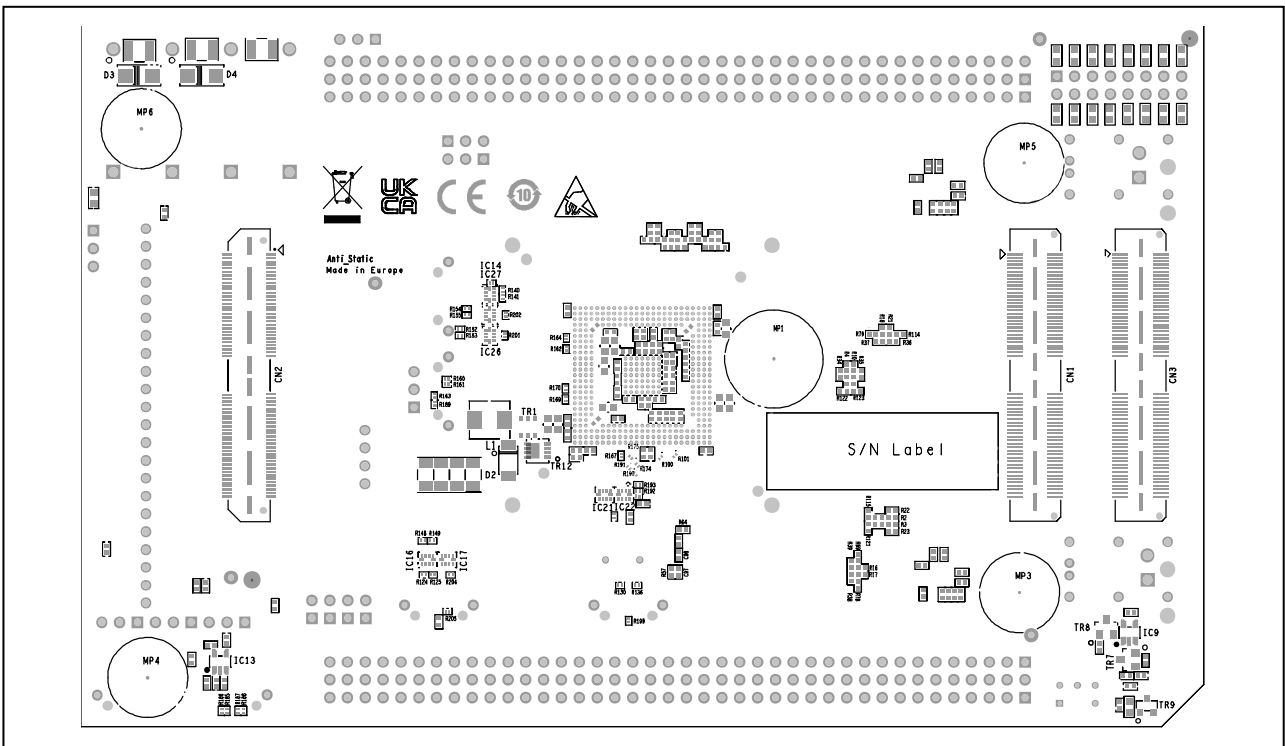


Figure 1.8 Piggyback Board bottom view of board version D018705_06_V02

1.6 Mounting of the Device

The device must be placed inside the socket IC1. To insert the device, align the device package A1 pin with the marking on the pcb.

The A1pin of the socket is marked with a circle on the pcb at the lower left corner of the socket. In Figure 1.9 it is marked with a white dot.

The A1 pin of the device is marked with a dot on the device package.



Figure 1.9 Yamaichi NP566-373-024-X socket

CAUTION

Be careful with the device placement in the socket to avoid damage to the device.

2. Jumpers, Connectors, Switches and LEDs

This section provides complete lists of all jumpers, connectors, and LEDs.

The placement of these components on the board is depicted in the figure below.

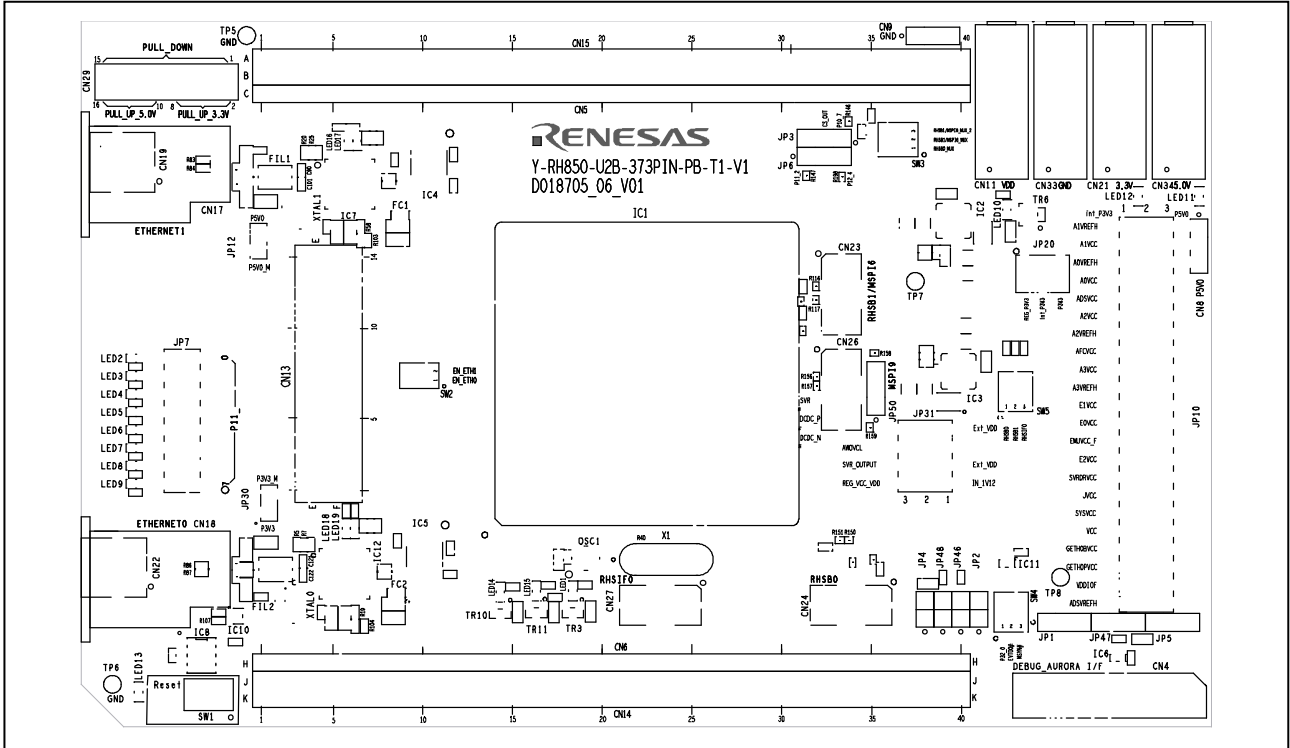


Figure 2.1 Placement of jumpers, connectors and LEDs on top side

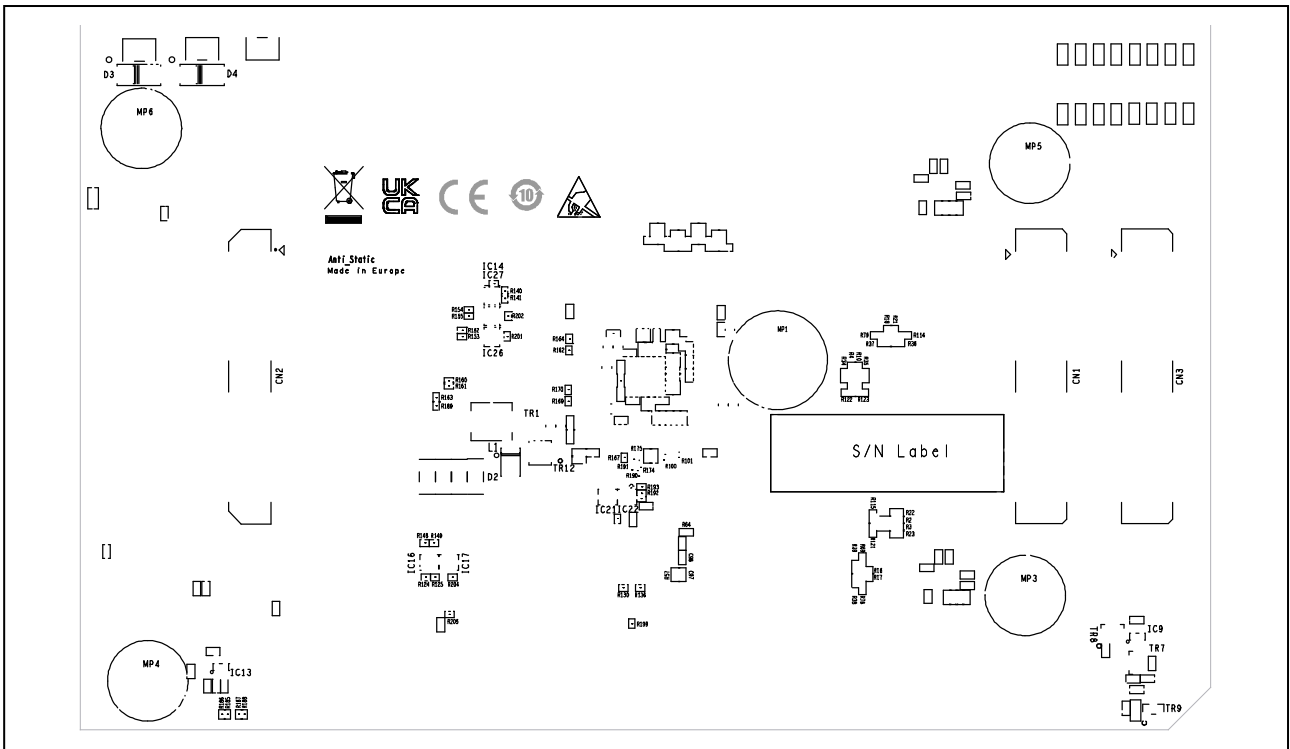


Figure 2.2 Placement of connectors on bottom side

2.1 Jumper Overview

The following table provides an overview of all jumpers.

Table 2.1 Jumper overview

Jumper	Function	Remark
JP1	Select signal source for AUORES# input on RH850/U2B <ul style="list-style-type: none"> JP1[2-1]: TRST# signal from Aurora debug I/F connector CN4 JP1[2-3]: AUORES#_VCC signal from Aurora debug I/F connector CN4 	refer to 5 <i>Debug and Flash Programming Interfaces</i>
JP2	Enable signaling of PWRCTL for SYSVCC <ul style="list-style-type: none"> JP2[1-2]: PWRCTL control of SYSVCC is signaled by LED15 	refer to 6.1 <i>Operation Mode Selection</i>
JP3, JP6	Select port for CS_OUT/SSI_IN signal on CN23.6 <ul style="list-style-type: none"> JP3[1-2]: connect to RHSB1CSD0 (P10_7) JP3[2-3]: Select port using jumper JP6 <ul style="list-style-type: none"> JP6[1-2]: connect to MSPI6CSS0 (P11_2) JP6[2-3]: connect to MSPI6SSI (P12_4) 	refer to 6.6 <i>Renesas High-Speed Bus RHSB1 and Multichannel Serial Peripheral Interface MSPI6</i> and 7.5 <i>RHSB1/MSPI6 Connector CN23</i>
JP4	Swap TX and RX signals of RHSIF0 interface available at CN27	refer to 6.8 <i>Renesas High-Speed Serial I/F RHSIF0</i>
JP5	Select signal source for TRST# signal <ul style="list-style-type: none"> JP5[1-2]: Fix TRST# signal to SYSVCC JP5[2-3]: TRST# signal is TRST# input from Aurora debug interface connector (pin 12 on connector CN4) 	refer to 5 <i>Debug and Flash Programming Interfaces</i>
JP7	Enable LED outputs	refer to 6.3 <i>Signaling LEDs</i>
JP10	Select +3.3 V / +5.0 V power supply configuration	refer to 3.2 <i>Voltage Distribution</i>
JP12	Enable +5.0 V power supply from main board	refer to 3.1 <i>Board Power Connection</i>
JP20	Select +3.3 V power supply source <ul style="list-style-type: none"> JP20[1-2]: Get 3.3 V from onboard voltage regulator JP20[2-3]: Get 3.3V from external power supply CN21 or from main board 	refer to 3.2 <i>Voltage Distribution</i>
JP30	Enable +3.3 V power supply from main board	refer to 3.1 <i>Board Power Connection</i>
JP31	Device core voltage configuration	refer to 3.3 <i>Device Core Voltage (VDD) Selection</i>
JP46	Change FLMD0 signal to "H".	refer to 6.1 <i>Operation Mode Selection</i>
JP47	SBMD input selection <ul style="list-style-type: none"> JP47[1-2]: connect to SYSVCC JP47[2-3]: connect to GND 	
JP48	Change FLMD1 signal to "H".	
JP50	Select CS_OUT port for MSPI9 <ul style="list-style-type: none"> JP50[1-2]: CS_OUT is from port P12_5 JP50[2-3]: CS_OUT is from port P11_10 	

2.2 Connector Overview

The following table provides an overview of all connectors.

Table 2.2 Connector overview

Connector	Function	Remark
CN1	Main Board connectors	refer to 7.1 Connectors to the Main Board CN1 to CN3
CN2		
CN3		
CN4	Debug connector	refer to 5 Debug and Flash Programming Interfaces and 7.2 Debug Connector CN4
CN5	Device ports connector	refer to 7.3 Device Ports Connectors CN5, CN6, CN13, CN14 and CN15
CN6		
CN8	P5V0 pin header	refer to 3.2 Voltage Distribution
CN9	GND pin header	
CN11	+1.12 V external power supply	refer to 3.1 Board Power Connection
CN13	Device ports connector	refer to 7.3 Device Ports Connectors CN5, CN6, CN13, CN14 and CN15
CN14		
CN15		
CN17	Ethernet interface connector	the connectors are only delivered with board version D018705_06_V01 refer to 6.9 Automotive Ethernet Interfaces ETN0 and ETN1
CN18		
CN19		
CN21	+3.3 V external power supply	refer to 3.1 Board Power Connection
CN22	Ethernet interface connector	the connector is only delivered with board version D018705_06_V01 refer to 6.9 Automotive Ethernet Interfaces ETN0 and ETN1
CN23	RHSB1 / MSPI6 interface connector	refer to 6.6 Renesas High-Speed Bus RHSB1 and Multichannel Serial Peripheral Interface MSPI6
CN24	RHSB0 interface connector	refer to 6.5 Renesas High-Speed Bus RHSB0
CN26	MSPI9 interface connector	refer to 6.7 Renesas Multichannel Serial Peripheral Interface MSPI9
CN27	RHSIF0 interface connector	refer to 6.8 Renesas High-Speed Serial I/F RHSIF0
CN29	Pull up / pull down configuration	refer to 6.4 Pull-Up/Pull-Down Pin Header
CN33	GND external power supply	refer to 3.1 Board Power Connection
CN34	+5.0 V external power supply	refer to 3.1 Board Power Connection

2.3 Switches Overview

The following table provides an overview of all switches.

Table 2.3 Switches overview

Connector	Function	Remark
SW1	RESET#	refer to 6.2 <i>RESET Switch</i>
SW2	Enable Ethernet outputs	populated only on-board version D018705_06_V01 both switches must be set to "OFF" . refer to 6.9 <i>Automotive Ethernet Interfaces ETN0 and ETN1</i>
SW3	Port selection RHSB0 / RHSB1 / MSPI6	refer to 6.5 <i>Renesas High-Speed Bus RHSB0</i> and 6.6 <i>Renesas High-Speed Bus RHSB1 and Multichannel Serial Peripheral Interface MSPI6</i>
SW5	Enable control for RHSB0 / RHSB1 / MSPI6 multiplexers.	
SW4	Debug port connection EVTO0 / MSYN#	refer to 5 <i>Debug and Flash Programming Interfaces</i>

2.4 LED Overview

The following table provides an overview of all LED.

Table 2.4 LED overview

LED	Function	Color	Remark
LED1	Device ERROROUT_M# signal	red	
LED2	Signaling LED	yellow	connection via JP7, refer to 6.3 <i>Signaling LEDs</i>
LED3			
LED4			
LED5			
LED6			
LED7			
LED8			
LED9			
LED10			
LED11	5.0 V power supply P5V0	green	
LED12	3.3 V power supply int_P3V3	green	
LED13	Reset switch SW1 on	red	refer to 6.2 <i>RESET Switch</i>
LED14	Device VMONOUT# signal	red	
LED15	Device PWRCTL signal	red	
LED16	Ethernet channel 1 activity LED	red	populated only on-board version D018705_06_V01 refer to 6.9 <i>Automotive Ethernet Interfaces ETN0 and ETN1</i>
LED17		green	
LED18	Ethernet channel 0 activity LED	red	
LED19		green	

3. Power Supply

3.1 Board Power Connection

The device and the board require various power supply voltages:

- 3.3 V for most of the digital circuitry on the device and on the board
- 5.0 V in case some ports shall be operated with 5.0 V I/O voltage
- 1.12 V for the device's VDD core voltage supply
Refer to *3.3 Device Core Voltage (VDD) Selection* for further details about VDD voltage.

Note

Within this document all voltage values are considered as 'typical'.

Refer to the 'Electrical Characteristics' section of the Hardware User's Manual for allowed voltage ranges.

The following connectors are available to supply external voltages:

- Four 4 mm 'banana-type' connectors are used to connect external power supplies:
 - black connector CN33 for GND (VSS)
 - red connector CN34 for 5 V
 - red connector CN21 for 3.3 V
 - red connector CN11 for 1.12 V
Refer to *3.3 Device Core Voltage (VDD) Selection* for further details about VDD voltage.
Connector CN11 is not assembled at delivery of the board, but separately supplied with the board package.

In case the piggyback board is mounted on a Main Board, all voltages except for 1.12 V (VDD) can be supplied by the Main Board. The jumpers JP12 (5.0 V) and JP30 (3.3 V) are used to enable power supply from main board

CAUTION

Do not power on the piggyback board when no RH850 microcontroller is installed in socket IC1 because the switching regulator in the SVR power supply circuit doesn't have defined control signals when the microcontroller is not installed and may be damaged.

If you want to power on the piggyback board without microcontroller, make sure jumper CN10[43-44-45] (SVRDRVCC) is open.

If the piggyback board is being used with the microcontroller installed please make sure the ports SVRNGATE and SVRPGATE are set to "Fixed" (output) in bit SVREND CDCHZ in option byte 25.

Do not supply the 5 V (CN34) and 3.3 V (CN21) voltage directly to the piggyback board in case the power supply from the Main Board is enabled.

Connecting external 1.12 V via CN11 (and GND via CN9) is still an option also in this case.

For some general power supply scenarios, the jumper settings are described in *8 Jumper Configuration Examples*.

3.2 Voltage Distribution

The following table shows the required device power supply pins and their function:

Table 3.1 Device power supply pins

Device power supply pin	Voltage	Function
E0VCC, E1VCC, E2VCC	3.3 V, 5 V	Power supply for I/O ports
EMUVDD	1.09 V	Power supply for debug circuits, only available on FCC devices
EMUVCC	3.3 V	
J0VCC, J1VCC	3.3 V, 5 V	
SYSVCC	3.3 V, 5 V	Power supply for system logic and internal voltage regulator power I/O ports
VCC	3.3 V, 5 V	Power supply for on-chip flash memory
SVRDRVCC	3.3 V, 5 V	Power supply for on-chip Switching Voltage Regulator (SVR)
SVRAVCC	3.3 V, 5 V	Connected to SYSVCC
LVDVCC	3.3V, 5 V	RHSIF/RHSB supply voltage
OSCVCC	3.3 V, 5 V	Power supply for OSC
GETH0BVCC	3.3 V	Power supply for Ethernet
GETH0PVCC	3.3 V, 5 V	
VDDIOF	3.3 V, 5 V	I/O voltage supply for the Main Board
A0VCC, A1VCC, A2VCC, A3VCC	3.3 V, 5 V	A/D Converter's power supplies and reference voltages
A0VREFH, A1VREFH, A2VREFH, A3VREFH, ADSVREFH	3.3 V, 5 V	
ADSVCC, AFCVCC	3.3 V, 5 V	
VDD	1.09 V	Core supply voltage Refer to 3.3 Device Core Voltage (VDD) Selection

Each of the above voltages can be selected from 5.0 V or 3.3 V (where applicable, see table above) by a set of jumpers.

The supply for 3.3 V can be selected from external power supply / main board power supply or from the onboard voltage regulator using jumper JP20:

- JP20 [1-2]: 3.3 V supply comes from the onboard voltage regulator.
- JP20 [2-3]: 3.3 V supply comes from the external power supply or from the main board power supply.

Table 3.2 Voltage Selection shows which jumpers to set to select the different device supply voltages, and Figure 3.1 Voltage distribution shows the schematic for it.

Table 3.2 Voltage Selection

Device power supply pin	Connection for 3.3 V	Connection for 5.0 V
A1VREFH	JP10 [1-2]	JP10 [2-3]
A1VCC	JP10 [4-5]	JP10 [5-6]
A0VREFH	JP10 [7-8]	JP10 [8-9]
A0VCC	JP10 [10-11]	JP10 [11-12]
ADSVCC	JP10 [13-14]	JP10 [14-15]
A2VCC	JP10 [16-17]	JP10 [17-18]
A2VREFH	JP10 [19-20]	JP10 [20-21]
AFCVCC	JP10 [22-23]	JP10 [23-24]
A3VCC	JP10 [25-26]	JP10 [26-27]
A3VREFH	JP10 [28-29]	JP10 [29-30]
E1VCC	JP10 [31-32]	JP10 [32-33]
E0VCC (LVDVCC)	JP10 [34-35]	JP10 [35-36]
EMUVCC	JP10 [37-38]	---
E2VCC	JP10 [40-41]	JP10 [41-42]
SVRDRVCC	JP10 [43-44]	JP10 [44-45]
JVCC	JP10 [46-47]	JP10 [47-48]
SYSVCC (SVRAVCC)	JP10 [49-50]	JP10 [50-51]
VCC (OSCVCC)	JP10 [52-53]	JP10 [53-54]
GETH0BVCC	JP10 [55-56]	--- *
GETH0PVCC	JP10 [58-59]	JP10 [59-60]: NC
VDDIOF	JP10 [61-62]	JP10 [62-63]
ADSVREFH	JP10 [64-65]	JP10 [65-66]

		JP10		
		int_P3V3	P5V0	
A1VREFH		1	2	3
A1VCC		4	5	6
A0VREFH		7	8	9
A0VCC		10	11	12
ADSVCC		13	14	15
A2VCC		16	17	18
A2VREFH		19	20	21
AFCVCC		22	23	24
A3VCC		25	26	27
A3VREFH		28	29	30
E1VCC		31	32	33
E0VCC		34	35	36
EMUVCC		37	38	39
E2VCC		40	41	42
SVRDRVCC		43	44	45
JVCC		46	47	48
SYSVCC		49	50	51
VCC		52	53	54
GETH0BVCC		55	56	57
GETH0PVCC		58	59	60
VDDIOF		61	62	63
ADSVREFH		64	65	66

Note * JP10 [56-57]: Connected to GND via 4.7kΩ pull-down

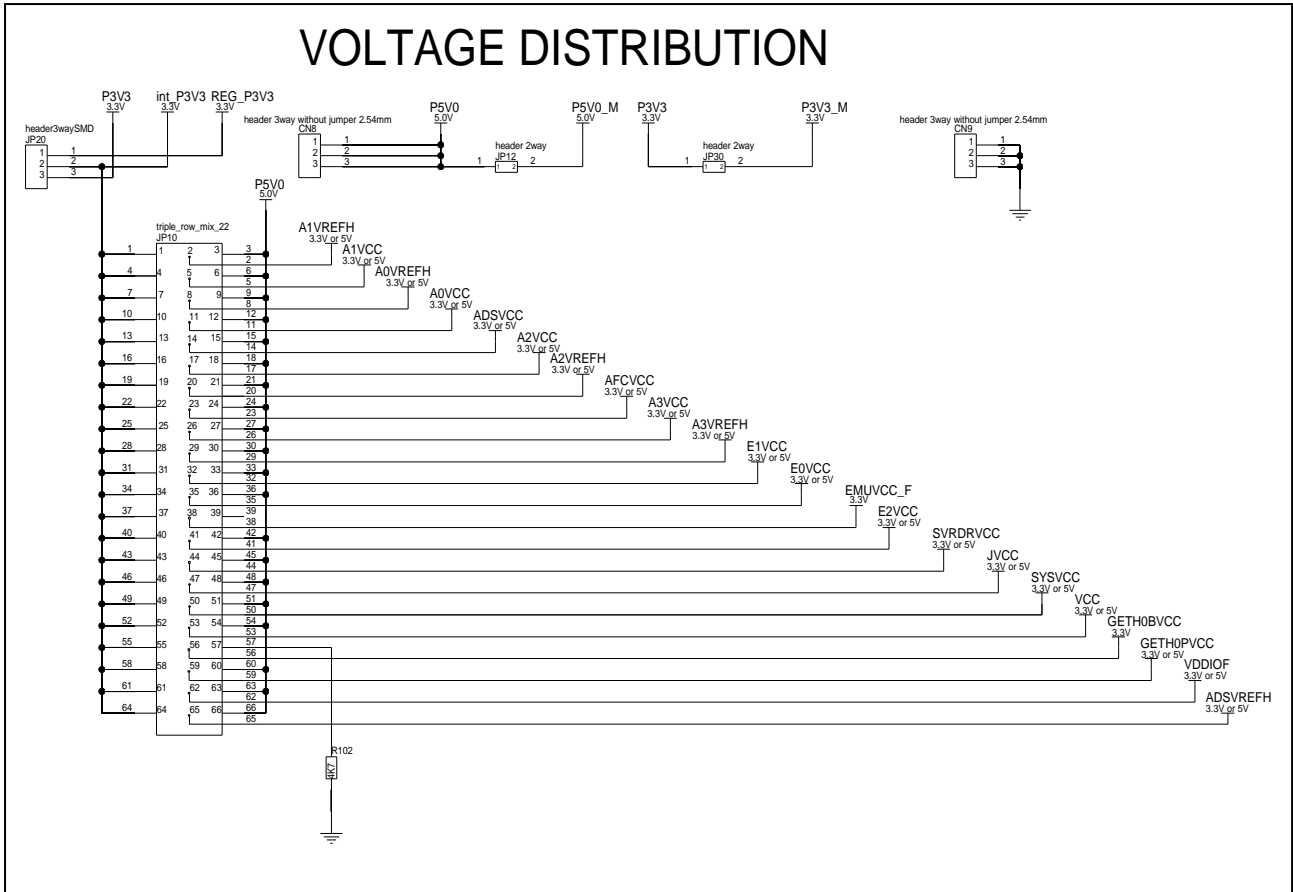


Figure 3.1 Voltage distribution

3.3 Device Core Voltage (VDD) Selection

The device core voltage VDD (typ.1.12 V) can be

- supplied from external via CN11 (voltage IN_1v12)
- generated from the P3V3 power rail by use of the on-board voltage regulator IC3 (voltage reg_vcc_VDD)
- generated by the on-chip Switching Voltage Regulator (SVR) in combination with device external power transistors TR1, TR12 (voltage SVR_OUTPUT)

Note

The IN_1v12 and reg_vcc_VDD voltages have a level of typical 1.12 V, which is higher than the typical device core voltage VDD of 1.09 V. The 30 mV difference is supposed to compensate voltage drops over the power rails on the board, in particular over the jumpers.

Selection of the VDD source is achieved by use of the jumpers in JP31:

JP31[1-2]: Ext_VDD = IN_1v12

JP31[2-3]: Ext_VDD = reg_vcc_VDD

JP31[4-5]: VDD = Ext_VDD

JP31[5-6]: VDD = SVR_OUTPUT

JP31[10-11] enables the output of the supply voltage to the device debug circuit EMUVDD.

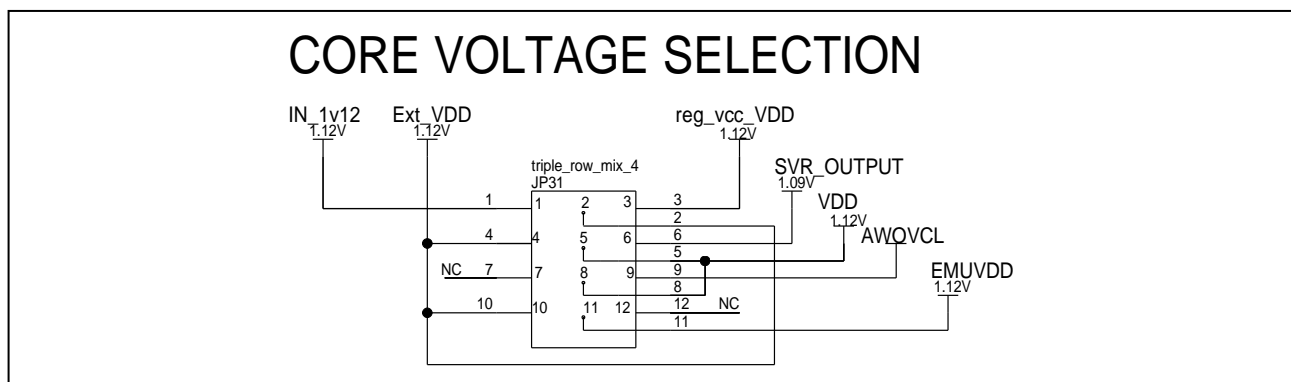


Figure 3.2 Device core voltage (VDD) selection

3.4 Power Supply LEDs

The following green LEDs show the correct operation of various voltages on the piggyback board:

- LED10 for 1.12 V device core voltage VDD
- LED11 for 5.0 V power rail P5V0
- LED12 for 3.3 V power rail P3V3

4. Clock Supply

The device's operation clock can be generated by

- the on-chip main oscillator circuit in combination with an off-chip resonator, connected to the X1, X2 terminals.
- an off-chip oscillator where the clock is fed into the X1 terminal.

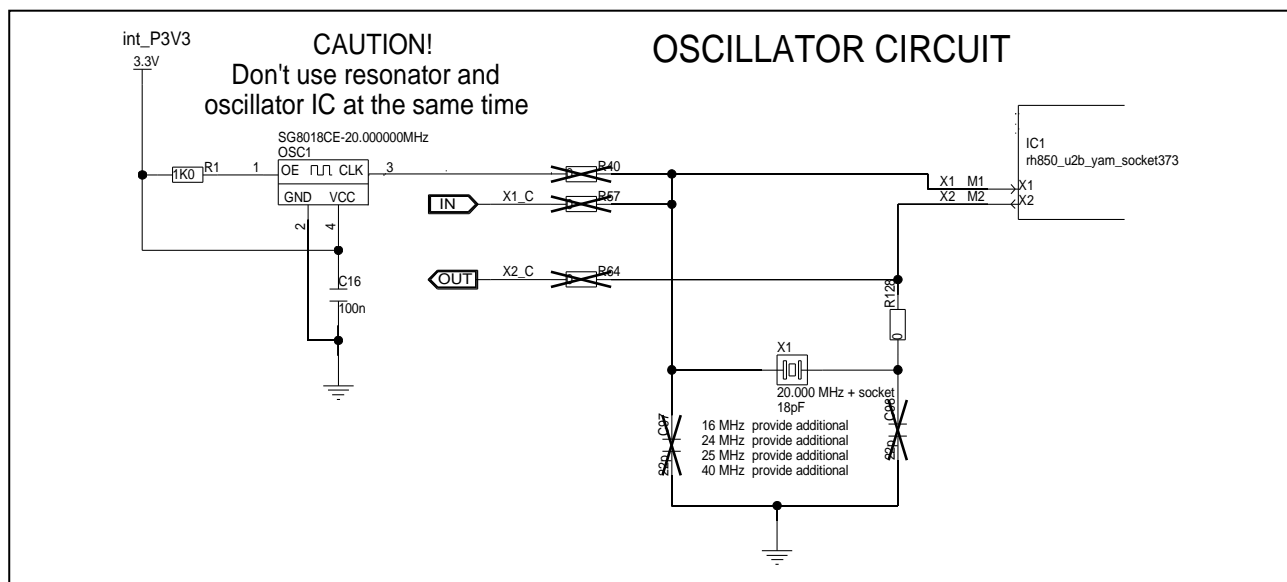


Figure 4.1 Clock supply

4.1 Main Oscillator

The piggyback board provides a socket (X1) to be able to use the on-chip main oscillator with an external resonator.

Several resonators for various main oscillator frequencies (16 MHz, 20 MHz, 24 MHz, 25MHz, 40 MHz) are included in the board package.

By default, the 20MHz resonator is mounted to X1.

For package content please refer to *1.1 Package Components*

CAUTION

Only one oscillator, either X1 or OSC1, can be used at any one time for the main oscillator.

4.2 Programmable Oscillator

Instead of using the on-chip main oscillator a programmable crystal oscillator (OSC1) circuit can be used on the board.

The available footprint and circuitry are designed for a SG-8018CE programmable crystal oscillator from Epson Toyocom. The output of this oscillator can be connected to X1 terminal via resistor R40.

For details about the available circuitry, refer to *Figure 4.1 Clock supply*.

CAUTION

A resonator mounted on socket X1 must not be used in parallel to another clock source.

4.3 X1 and X2 on CN14

To minimize disturbance on the resonator signal the device pins X1 and X2 are by default not connected to a pin header. If needed the pins can be connected to CN14 via 0 Ω resistors:

- Device pin X1: Connect to pin 25 of CN14 via R57 to supply an external clock to the device.
- Device pin X2: Connect to pin 26 of CN14 via R64 for measurement purposes of the clock.

5. Debug and Flash Programming Interfaces

For debugging and flash programming purposes debug and flash programming tools can be connected to the CN4 connector.

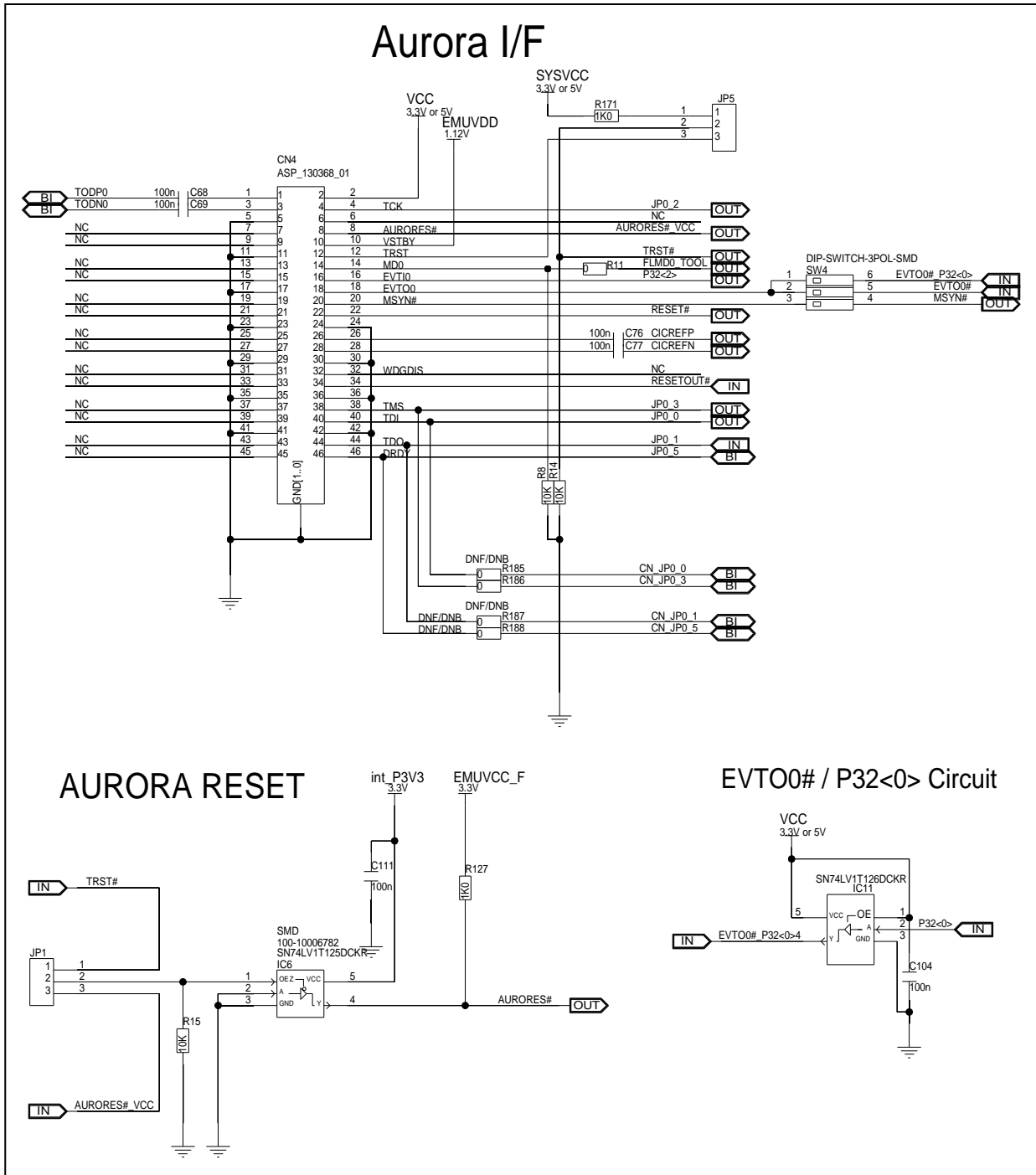


Figure 5.1 Debug connector CN4 and Aurora Reset circuit

Refer to 7.2 Debug Connector CN4 for details about the CN4 pin assignment.

Refer to 8.2 Operation using FCC Device or Mass Production Device for details about the usage of SW4 and its related signals.

The Renesas standard emulator for RH850/U2B is the E2 emulator. This can be used as emulator for debugging or as flash programmer.

To connect the E2 emulator to Y-RH850-U2B-468PIN-PB-T1-V1 you have to use the adapter Y-RH850-DEBUG-ADAPTER-F14T46.

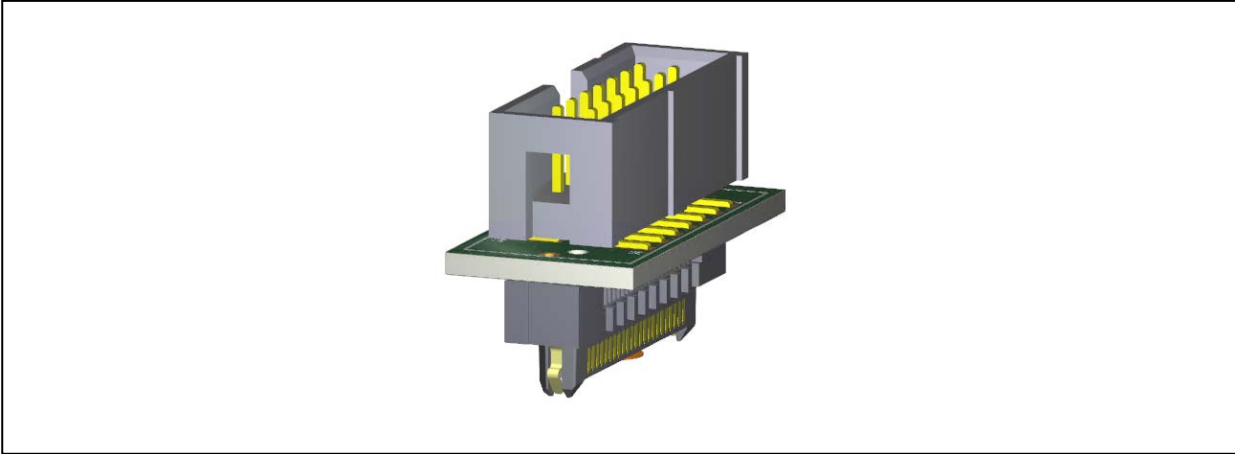


Figure 5.2 Outline view of debug adapter Y-RH850-DEBUG-ADAPTER-F14T46

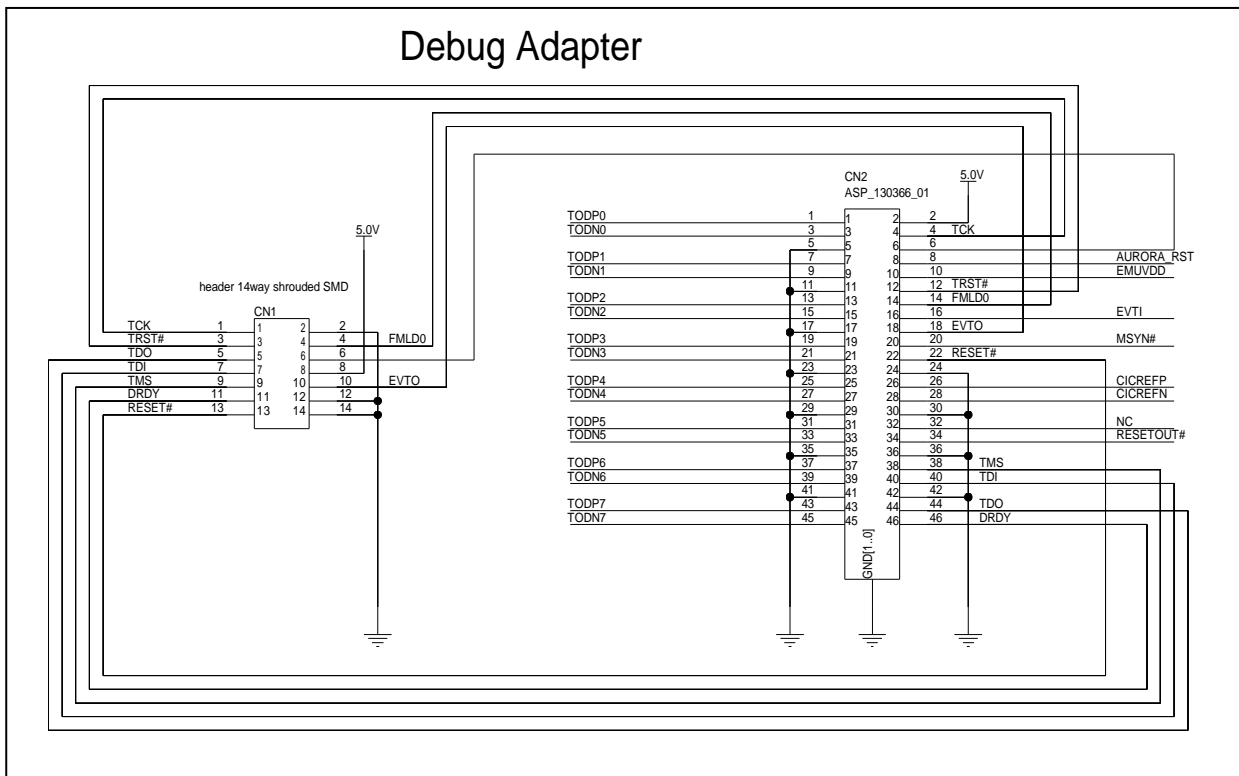


Figure 5.3 Circuit diagram of debug adapter Y-RH850-DEBUG-ADAPTER-F14T46

6. Other Circuitry

6.1 Operation Mode Selection

The piggyback board gives the possibility to configure the following jumpers to select the device operating mode.

Table 6.1 Device operation mode selection jumpers

Jumper	Function
JP46	FLMD0 pin level <ul style="list-style-type: none"> • JP46[SHORT]: FLMD0 = H level; do not connect a debugger or programming tool. • JP46[OPEN]: FLMD0 is <ul style="list-style-type: none"> - controlled by debugger or programming tool if a tool is connected via CN4 - GND if no tool is connected
JP48	FLMD1 pin level <ul style="list-style-type: none"> • JP48[SHORT]: FLMD1 = H level • JP48[OPEN]: FLMD1 = GND
JP47	SBMD pin level (RH850/U2B20 and RH850/U2B24 only, for RH850/U2B10 jumper JP47 can be left open) <ul style="list-style-type: none"> • JP47[1-2]: connect to SYSVCC (SBMD = 1), please leave JP31_9 open (AWOVCL connected to GND via capacitor C47) • JP47[2-3]: connect to GND (SBMD = 0), please connect JP31[8-9] with a jumper (AWOVCL connect to VDD) • JP47[OPEN]: Use for RH850/U2B10 only
JP2	Enable PWRCTL signaling <ul style="list-style-type: none"> • JP2[SHORT]: PWRT signal is shown on LED15

CAUTION

Be careful in configuration of the operation mode related pins. The wrong configuration and operation of the device outside of its specification can cause irregular behavior of the device and long-term damage cannot be excluded. Be sure to check the corresponding Hardware User's Manual for details, which modes are specified for the used device.

Note

In most cases the 'normal operating mode' of the device will be used. This mode is for execution of the user program. The on-chip debug functions also use this mode.

To select the 'normal operating mode' of the device, the FLMD0 pin must be pulled low. To do so, please leave jumper JP46 open.

All other jumpers related to the mode selection can be left open.

6.2 RESET Switch

The SW1 is used to issue a RESET to the device.

The SW1 toggle switch allows to activate the RESET in two different ways:

- SW1 in left '5-4(ON)' position: temporary reset
Releasing the switch's lever returns the switch to its middle 'OFF' position and thus releases the reset.
- SW1 in right '5-6 ON' position: permanent reset
For reset release the switch has to be moved back manually to its middle 'OFF' position.

The left and right switch position is defined from the side of the part number marking, which is highlighted with a red arrow in the figure below.

The lighted red LED13 indicates that SW1 is "on", i.e. in position '5-4 (ON)' or '5-6 ON'.

Note

LED13 does not light up when RESET is asserted by any other means than SW1.

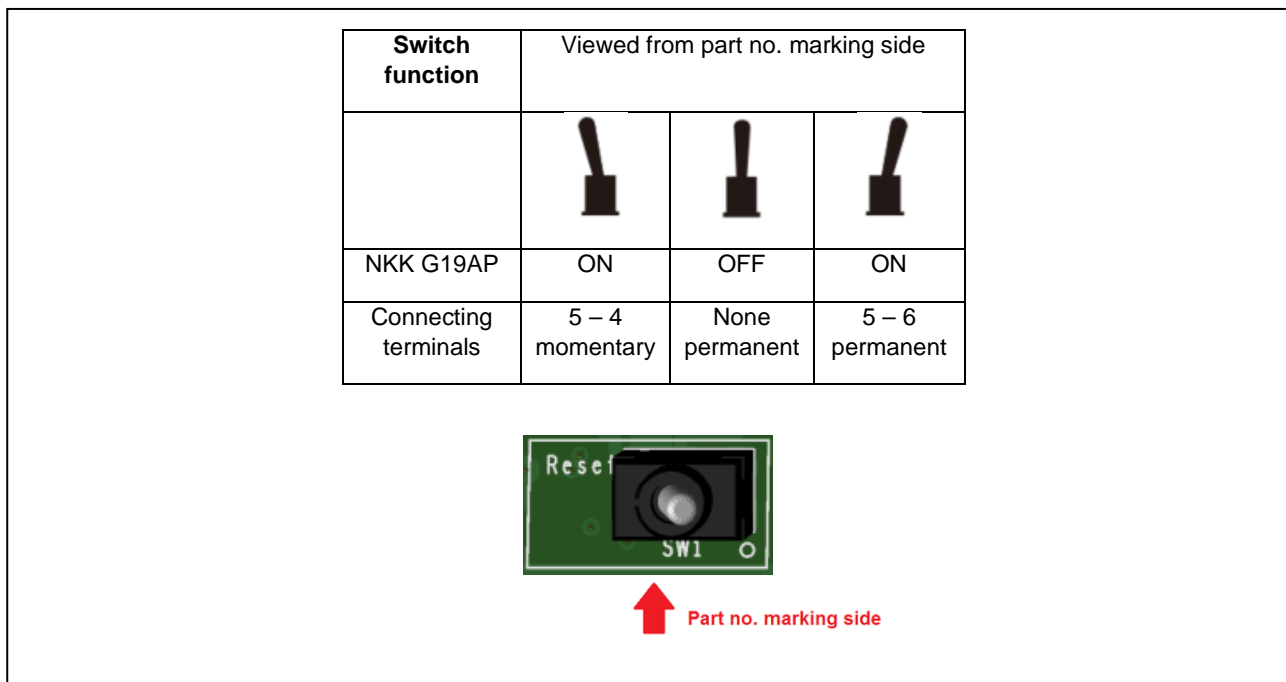


Figure 6.1 Operation of RESET switch

6.3 Signaling LEDs

Eight LEDs are provided to allow visual observation of the output state of device port pins.

Device pins P11_0 to P11_3, P11_5 to P11_7 and P22_0 are connected to the odd pins of the pin header JP7, while the LEDs 2 to 9 are connected to the even JP7 pins.

Thus, the LEDs can be either connected to

- the device port pins P11_0 to P11_3, P11_5 to P11_7 or P22_0 by closing the connection on JP7 using a jumper, or
- any device pin by connecting the pin (from the connectors CN5, CN13, CN14, CN15 or CN16) directly with the even JP7 pins using a separate cable.

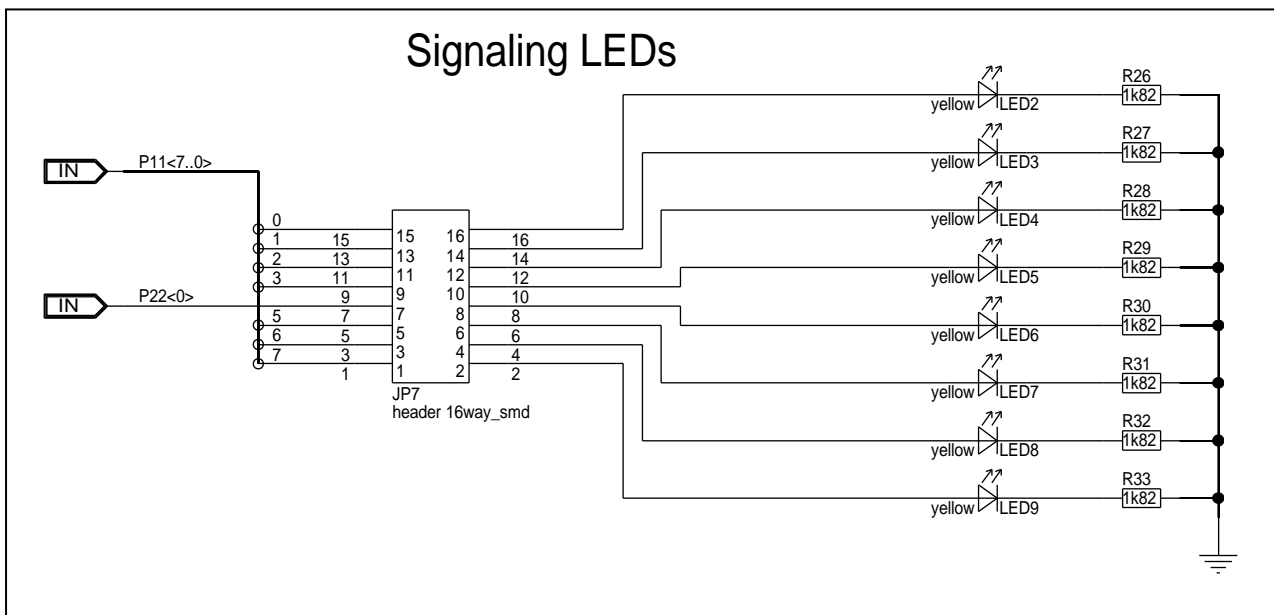


Figure 6.2 Circuit diagram for signaling LEDs

6.4 Pull-Up/Pull-Down Pin Header

The Pull-up/Pull-down pin header CN29 provides fixed voltage levels at its pins, which can be used to pull-up/pull-down a signal on the board or the device by connecting a CN29 pin to the signal via a separate cable.

All pull-up or pull-down resistors use 1k Ω resistors.

The CN29 pins have following pull-up or pull-down voltage levels:

- All odd numbered pins are connected to L level.
- Even numbered pins 2, 4, 6, 8 are connected to int_P3V3, which means 3.3 V. The source for the 3.3V supply is selected using jumper JP20:
 - JP20[1-2]: 3.3 V input from external power supply via connector CN21 or from a connected main board (jumper JP30[1-2] closed).
 - JP20[2-3]: 3.3 V comes from REG_P3V3 generated by the onboard voltage regulator.
- Even numbered pins 10, 12, 14, 16 are connected to P5V0, which means 5.0 V. P5V0 is either provided from external power supply (connector CN34) or from a connected main board (jumper JP12[1-2] closed).

Refer to 7.9 Pull-Up/Pull-Down Pin Header CN29 for CN29 details.

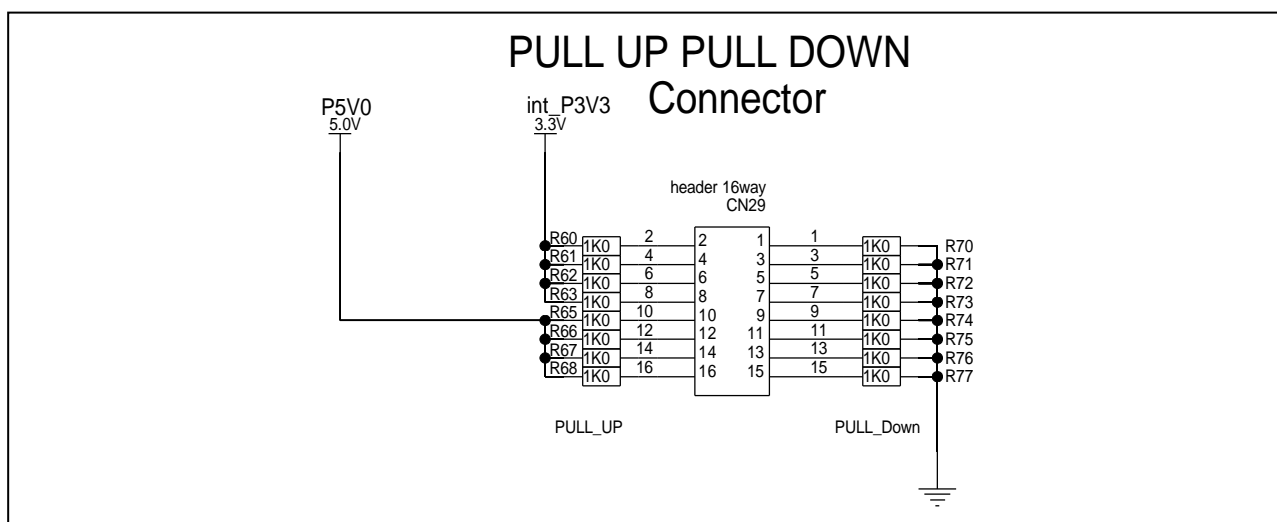


Figure 6.3 Circuit diagram for pull up / pull down signals

6.5 Renesas High-Speed Bus RHSB0

The piggyback board provides access to the high-speed bus interface RHSB0 on connector CN24.

The signal output of RHSB0 to connector CN24 is enabled by switch SW5-1.

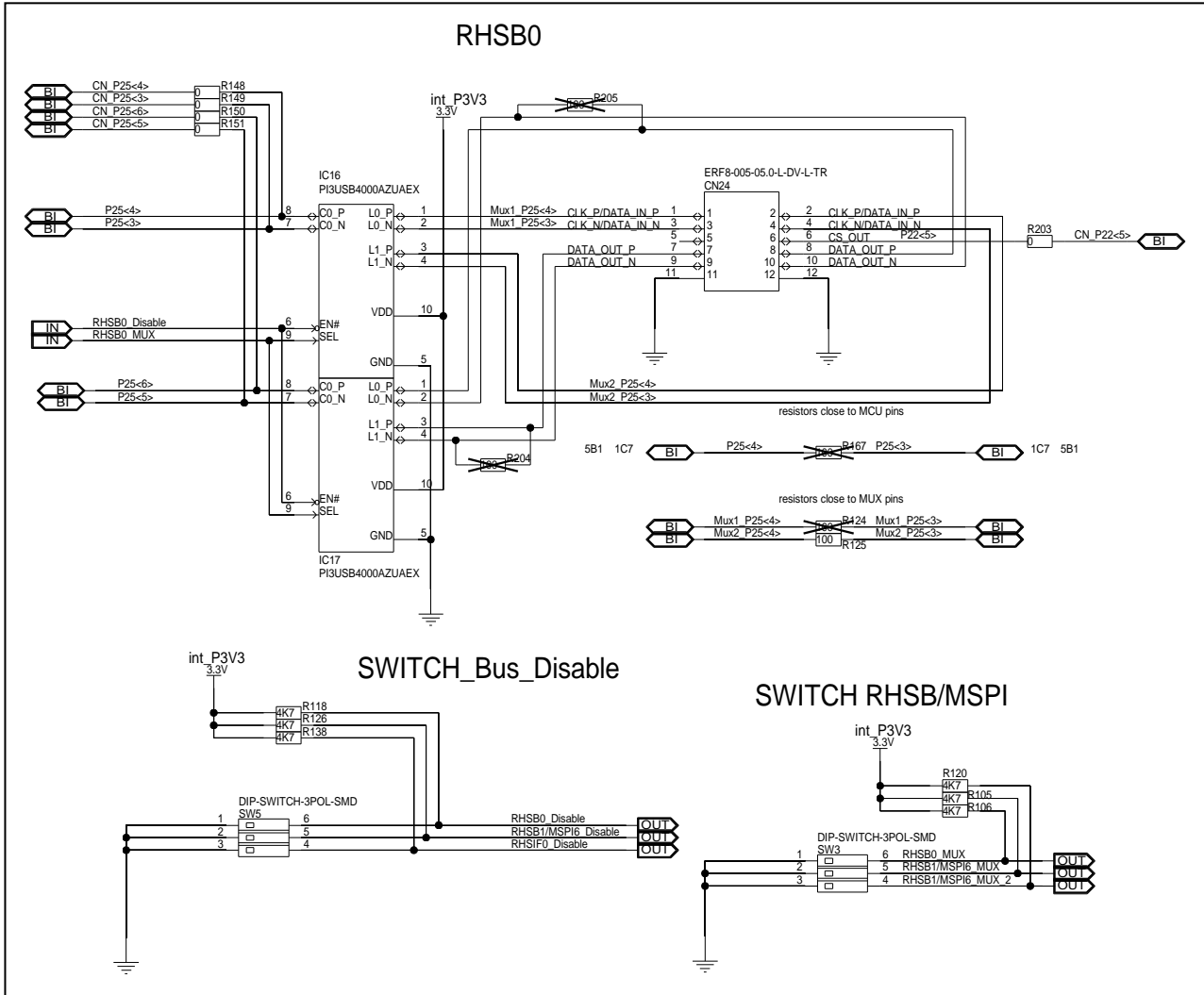


Figure 6.4 Circuit diagram for RHSB0 interface

The pin configuration on connector CN24 can be modified using the RHSB0_MUX signal from switch SW3-1.

Refer to 7.6 RHSB0 Connector CN24 for the possibility to configure the pin assignment on CN24.

CAUTION

The piggyback board can apply 100Ω termination resistors for different use cases. See in this document the attachment ‘Guideline for termination resistors.xlsx’ for the detailed information.

Notes

1. The signals on the RHSB0 interface are connected to connectors CN3, CN6 and CN14. To minimize signal interference, they can be disconnected by removing 0 Ω resistors R148-R151, R203.
2. Swapping the Rx/Tx signals allows board-to-board communication e.g. with another piggyback board via separate cables.

6.6 Renesas High-Speed Bus RHSB1 and Multichannel Serial Peripheral Interface MSPI6

The CN23 connector can be used to connect to the device's RHSB1 and MSPI6 interface.

The signal output of RHSB1 or MSPI6 to connector CN23 is enabled by switch SW5-2.

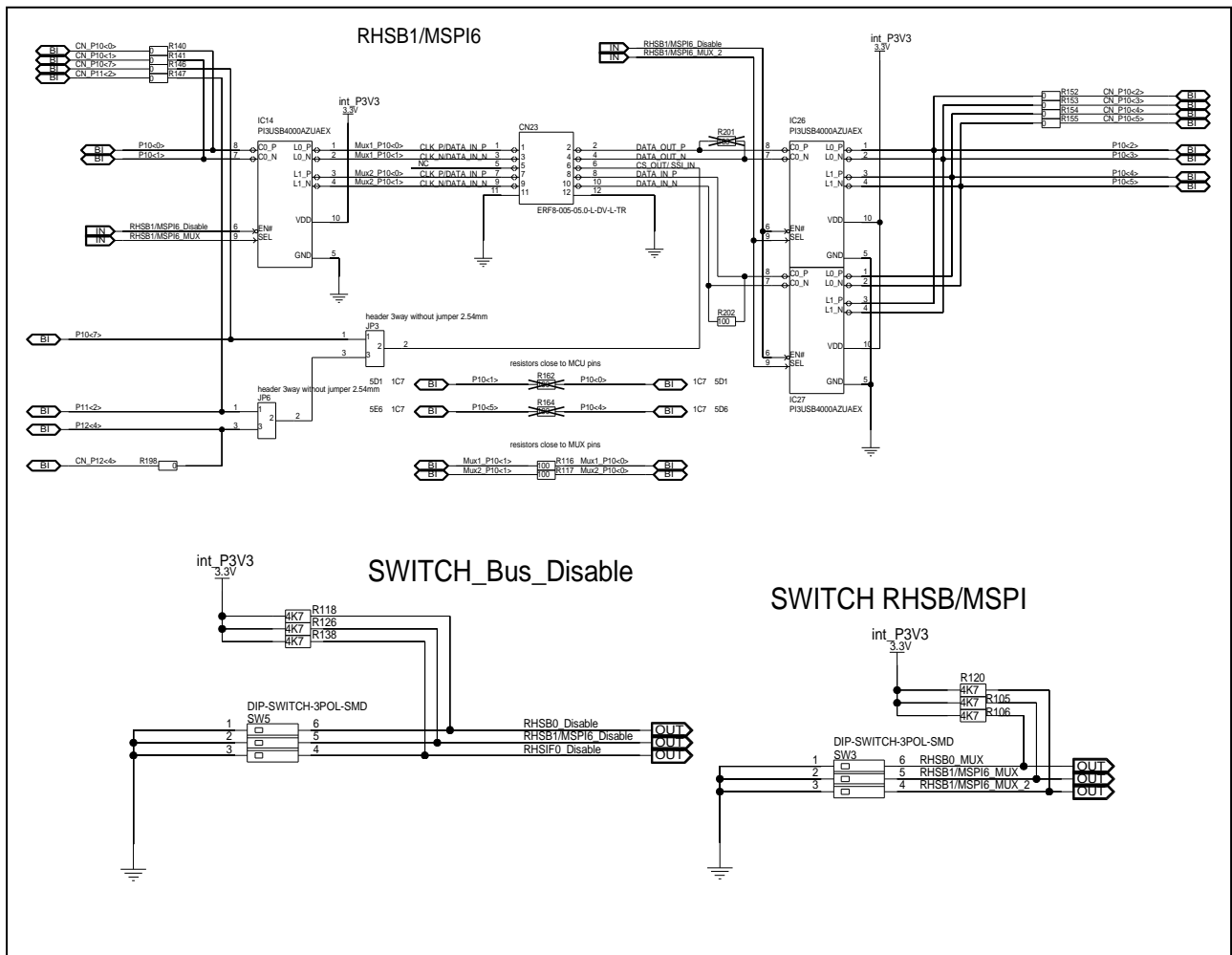


Figure 6.5 Circuit diagram for RHSB1/MSPI6 interface

The pin configuration on connector CN23 can be changed using the RHSB1/MSPI6_MUX signal from switch SW3-2 and the RHSB1/MSPI6_MUX_2 signal from switch SW3-3.

Refer to 7.5 RHSB1/MSPI6 Connector CN23 for the CN23 pin assignment.

CAUTION

The piggyback board can apply 100Ω termination resistors for different use cases. See in this document the attachment ‘Guideline for termination resistors.xlsx’ for the detailed information.

Notes

1. The signals on the RHSB1/MSPI6 interface are connected to connectors CN1–CN3, CN5 and CN15. To minimize signal interference, they can be disconnected by removing 0 Ω resistors R140, R141, R146, R147, R152-R155, R198.
2. Swapping the Rx/Tx signals allows board-to-board communication e.g. with another piggyback board via separate cables.

6.7 Renesas Multichannel Serial Peripheral Interface MSPI9

Connector CN26 provides access to the MSPI9 interface.

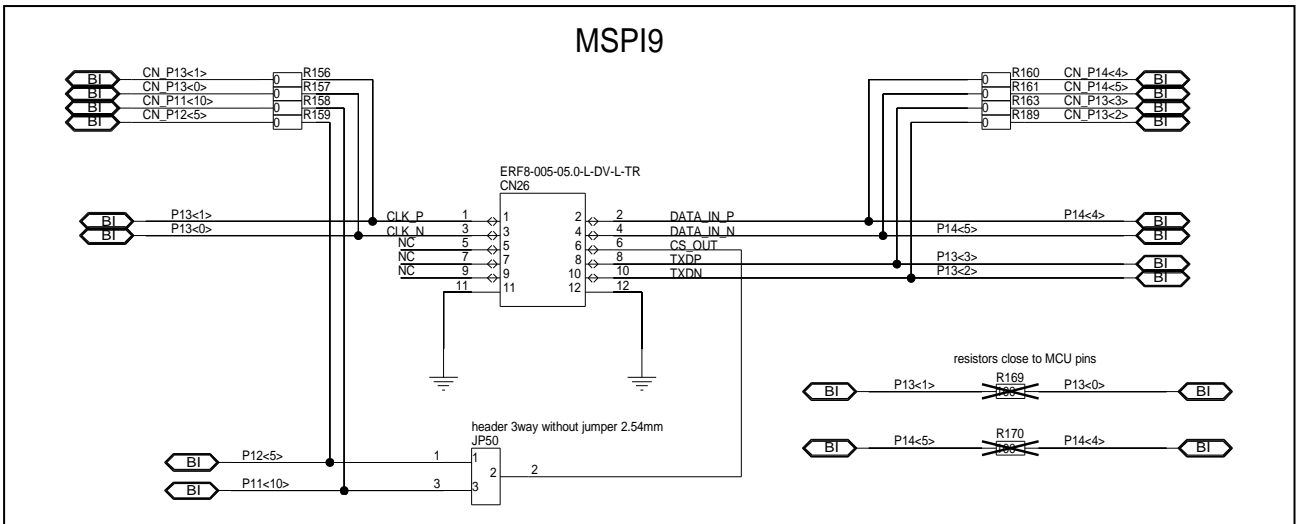


Figure 6.6 Circuit diagram for MSPI9 interface

Refer to 0

MSPI9 Connector CN26 for the CN26 pin assignment.

Notes

The signals on the RHSIF0 interface are connected to connectors CN1 - CN3, CN6, CN14 and CN15. To minimize signal interference, they can be disconnected by removing 0 Ω resistors R156-R161, R163, R189.

6.8 Renesas High-Speed Serial I/F RHSIF0

Connector CN27 provides access to the RHSIF0 interface.

The signal output of RHSIF0 to connector CN27 is enabled by switch SW5-3.

Rx and Tx signals available at CN27 can be swapped by setting the jumper JP4:

- JP4[SHORT]:
 - RXDP/RXDN at CN27 pins 1 and 3
 - TXDP/TXDN at CN27 pins 7 and 9
- JP4[OPEN]:
 - RXDP/RXDN at CN27 pins 7 and 9
 - TXDP/TXDN at CN27 pins 1 and 3

Refer to *0*

RHSIF0 Connector CN27 for the CN27 pin assignment.

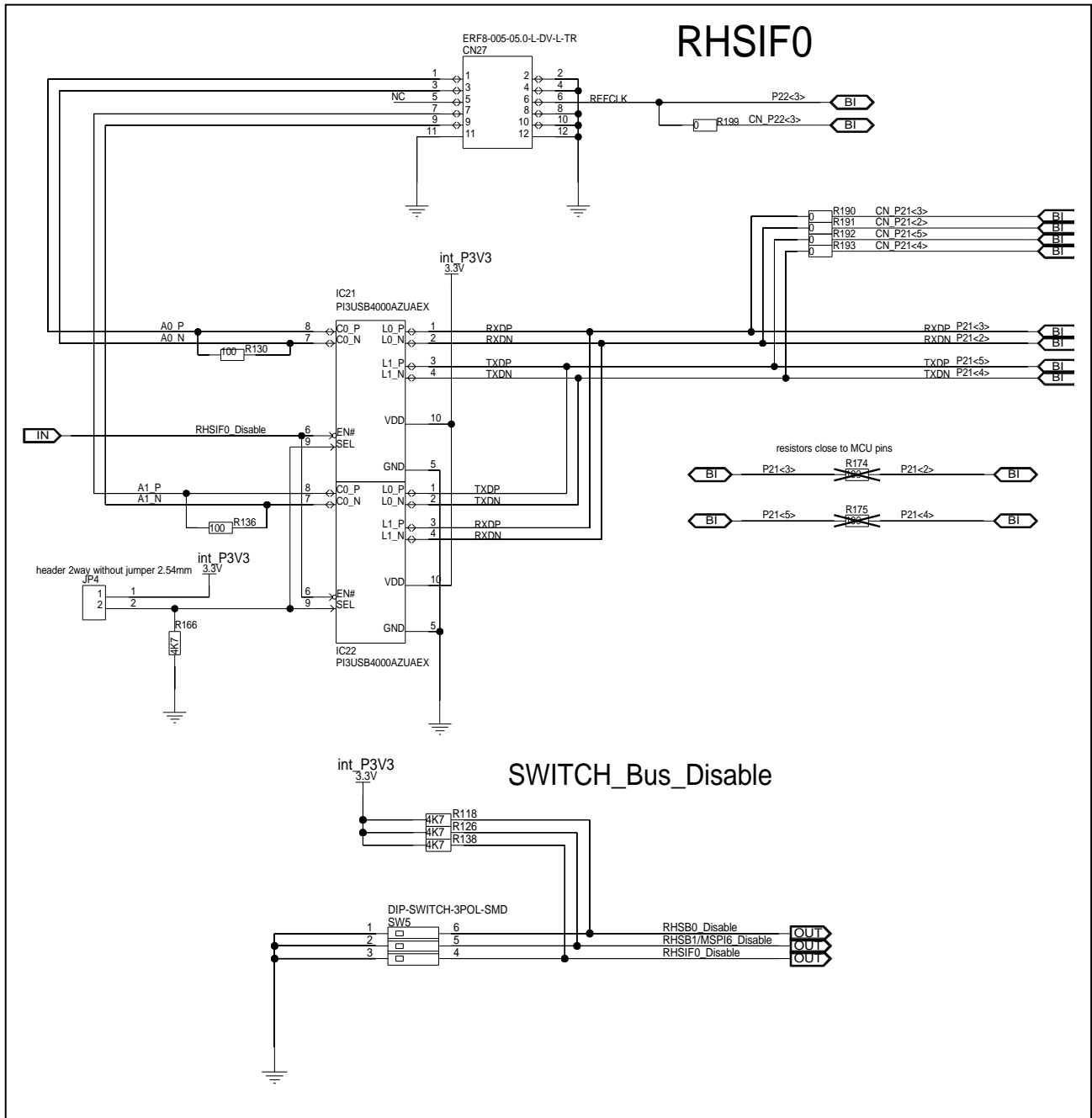


Figure 6.7 Circuit diagram for RHSIF0 interface

Notes

1. The signals on the RHSIF0 interface are connected to connectors CN1, CN3, CN6 and CN14. To minimize signal interference, they can be disconnected by removing 0 Ω resistors R190-R193, R199.
2. Swapping the Rx/Tx signals allows board-to-board communication e.g. with another piggyback board via separate cables.

6.9 Automotive Ethernet Interfaces ETN0 and ETN1

The Ethernet interfaces are only populated on pcb of board version D018705_06_V01. But the devices that can be used with this piggyback board do not support Ethernet SGMII interfaces. Thus, Ethernet SGMII interfaces cannot be used on pcb of board version D018705_06_V01.

The Ethernet interfaces are not populated on pcb of board version D018705_06_V02.

6.10 Low Pass Filter

The piggyback board includes a set of low pass filters to filter input signals to analog input ports.

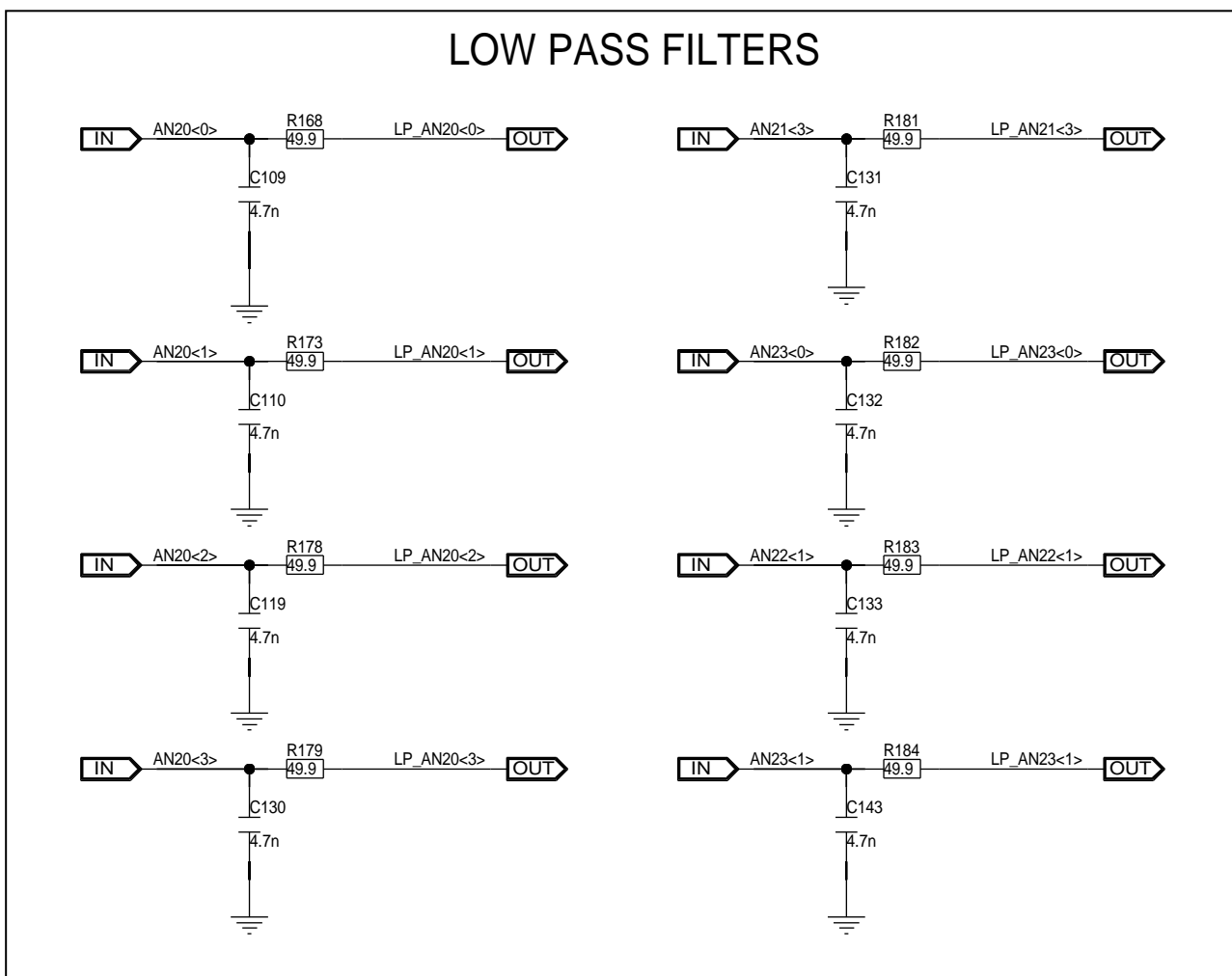


Figure 6.8 Circuit diagram for low pass filters

The analog input ports on RH850/U2B can be accessed through the device port connectors CN13 and CN15. Inputs including the low pass filter can be identified by the leading “LP_” in the pin name.

Please refer to *7.3.1 Device Ports Connector CN5* and *7.3.5 Device Ports Connector CN15* for details on the pin assignments.

7. Connectors

7.1 Connectors to the Main Board CN1 to CN3

Three connectors (CN1 to CN3) are available to connect the piggyback board to a Main Board. The signals of each connector are summarized in the following tables.

Note

Regarding the function on the Main Board, please refer to the User's Manual of any supported Main Board. Refer to *1.2 Supported Main Boards* for a list of supported Main Boards.

7.1.1 Main Board Connector CN1

Table 7.1 Main board connector CN1

Pin	Main Board function	Piggyback board device port
1	VDDA	–
3	VDDA	–
5	RESET	RESET#
7	WAKE	–
9	INT0	P23_2
11	INT2	P23_4
13	–	–
15	UART0TX	P12_6
17	UART0RX	CN_P12_5 *
19	LIN0TX	P34_0
21	LIN0RX	P34_2
23	IIC0SCL	CN_P10_7 *
25	IIC0SDA	P10_8
27	CAN0TX	CN_P21_4 *
29	CAN0RX	CN_P21_5 *
31	SENT0RX	P00_0
33	SENT0SPCO	P00_1
35	PSI5SRX0	P02_10
37	PSI5STX0	P02_8
39	PSI5SCLK0	P02_6
41	FLX0TX	P12_1

Pin	Main Board function	Piggyback board device port
2	VDDA	–
4	VDDA	–
6	NMI	P25_2
8	–	–
10	INT1	P23_3
12	INT3	P23_5
14	–	–
16	UART1TX	P33_1
18	UART1RX	P33_0
20	LIN1TX	P20_7
22	LIN1RX	P20_6
24	IIC1SCL	P00_6
26	IIC1SDA	P00_7
28	CAN1TX	P02_7
30	CAN1RX	P02_10
32	SENT1RX	P00_4
34	SENT1SPCO	P00_5
36	PSI5RX0	P02_0
38	PSI5TX0	P02_1
40	–	–
42	FLX0EN	P12_0

Table 7.1 Main board connector CN1 (cont'd)

Pin	Main Board function	Piggyback board device port
43	FLX0RX	P12_7
45	FLX1TX	P22_11
47	FLX1RX	P12_8
49	–	–
51	ETH0MDIO	CN_P10_4 *
53	ETH0RXD0	P11_3
55	ETH0RXD1	CN_P11_2 *
57	ETH0RXD2	CN_P10_3 *
59	ETH0RXD3	CN_P10_0 *
61	ETH0RXCLK	CN_P10_1 *
63	ETH0RXER	P11_6
65	ETH0CRSDV	–
67	ETH0RXDV	P11_7
69	ETH0RESET	P10_8
71	–	–
73	USB0UDMF	–
75	USB0UDPF	–
77	–	–
79	–	–
81	–	–
83	–	–
85	DIGIO_0	P11_0
87	DIGIO_2	CN_P11_2 *
89	DIGIO_4	P22_0
91	DIGIO_6	P11_6
93	DIGIO_8	P11_8
95	DIGIO_10	CN_P10_0 *
97	DIGIO_12	CN_P10_2 *
99	DIGIO_14	CN_P10_4 *
101	–	–
103	MUX0	P34_0

Pin	Main Board function	Piggyback board device port
44	FLXSTPWT	CN_P12_4 *
46	FLX1EN	P12_9
48	FLXCLK	–
50	–	–
52	ETH0MDC	CN_P10_2 *
54	ETH0TXD0	P11_8
56	ETH0TXD1	P11_9
58	ETH0TXD2	P11_5
60	ETH0TXD3	P11_1
62	ETH0TXCLK	P11_4
64	ETH0TXER	CN_P11_10 *
66	ETH0TXEN	P11_0
68	ETH0COL	–
70	ETH0LINK	CN_P10_7 *
72	–	–
74	USB0UDMH	–
76	USB0UDPH	–
78	–	–
80	–	–
82	–	–
84	–	–
86	DIGIO_1	P11_1
88	DIGIO_3	P11_3
90	DIGIO_5	P11_5
92	DIGIO_7	P11_7
94	DIGIO_9	P11_9
96	DIGIO_11	CN_P10_1 *
98	DIGIO_13	CN_P10_3 *
100	DIGIO_15	CN_P10_5 *
102	–	–
104	MUX1	P34_2

Table 7.1 Main board connector CN1 (cont'd)

Pin	Main Board function	Piggyback board device port
105	MUX2	P34_1
107	ADC0	AN02_0
109	ADC2	AN02_2
111	ADC4	AN03_0
113	ADC6	AN03_2
115	VDDIOF	–
117	VDDDB	–
119	VDDDB	–
121	GND	–
123	GND	–
125	GND	–
127	GND	–

Pin	Main Board function	Piggyback board device port
106	–	–
108	ADC1	AN02_1
110	ADC3	AN02_3
112	ADC5	AN03_1
114	ADC7	AN03_3
116	VDDIOF	–
118	VDDDB	–
120	VDDDB	–
122	GND	–
124	GND	–
126	GND	–
128	GND	–

Note * By default these signals are connected to CN1. To minimize signal interference, they can be disconnected by removing 0 Ω resistors R140, R141, R146, R147, R152-R155, R159, R192, R193, R198.

7.1.2 Main Board Connector CN2

Table 7.2 Main board connector CN2

Pin	Function	Device port
1	CAN2TX	P02_1
3	CAN2RX	P02_4
5	CAN4TX	CN_P10_5 *
7	CAN4RX	P10_6
9	LIN2TX	P22_2
11	LIN2RX	CN_P22_3 *
13	LIN4TX	P12_6
15	LIN4RX	CN_P12_5 *
17	LIN6TX	P00_11
19	LIN6RX	P00_10
21	LIN8TX	P22_11
23	LIN8RX	P22_12
25	LIN10TX	P10_14
27	LIN10RX	P10_13

Pin	Function	Device port
2	CAN3TX	P02_2
4	CAN3RX	P02_3
6	CAN5TX	P14_2
8	CAN5RX	P14_0
10	LIN3TX	P32_6
12	LIN3RX	P32_4
14	LIN5TX	P33_1
16	LIN5RX	P33_0
18	LIN7TX	P01_7
20	LIN7RX	P01_5
22	LIN9TX	P10_12
24	LIN9RX	P10_11
26	LIN11TX	P23_6
28	LIN11RX	P23_5

Table 7.2 Main board connector CN2 (cont'd)

Pin	Function	Device port	Pin	Function	Device port
29	LIN12TX	P32_3	30	LIN13TX	P33_5
31	LIN12RX	P32_2	32	LIN13RX	P33_2
33	LIN14TX	P33_13	34	LIN15TX	P20_3
35	LIN14RX	P33_11	36	LIN15RX	P20_2
37	–	–	38	–	–
39	–	–	40	–	–
41	–	–	42	–	–
43	–	–	44	–	–
45	–	–	46	–	–
47	CAN6TX	P02_6	48	CAN7TX	P20_5
49	CAN6RX	P02_5	50	CAN7RX	P20_4
51	CAN8TX	P33_3	52	CAN9TX	P34_4
53	CAN8RX	P33_6	54	CAN9RX	P34_3
55	–	–	56	–	–
57	–	–	58	–	–
59	–	–	60	–	–
61	LIN16TX	P02_8	62	LIN17TX	P34_3
63	LIN16RX	P02_9	64	LIN17RX	P34_4
65	LIN18TX	P14_6	66	LIN19TX	P14_8
67	LIN18RX	CN_P14_5 *	68	LIN19RX	P14_7
69	LIN20TX	P00_3	70	LIN21TX	P00_8
71	LIN20RX	P00_2	72	LIN21RX	P00_9
73	LIN22TX	CN_P10_0 *	74	LIN23TX	P32_1
75	LIN22RX	CN_P10_1 *	76	LIN23RX	P32_0
77	–	–	78	–	–
79	SFMA0CLK	P20_4	80	SFMA0SSL	P20_5
81	SFMA0IO0	P20_0	82	SFMA0IO1	P20_1
83	SFMA0IO2	P20_2	84	SFMA0IO3	P20_3
85	–	–	86	–	–
87	MMCA0CLK	CN_P13_0 *	88	MMCA0CMD	CN_P14_5 *
89	MMCA0DAT0	CN_P13_1 *	90	MMCA0DAT1	CN_P13_2 *
91	MMCA0DAT2	CN_P13_3 *	92	MMCA0DAT3	P14_1

Table 7.2 Main board connector CN2 (cont'd)

Pin	Function	Device port
93	MMCA0DAT4	P14_0
95	MMCA0DAT6	P14_3
97	–	–
99	ETH1MDIO	P14_2
101	ETH1RXD0	P13_8
103	ETH1RXD1	P13_9
105	ETH1RXD2	P13_10
107	ETH1RXD3	P13_11
109	ETH1RXCLK	P13_13
111	ETH1RXER	P13_14
113	ETH1CRSDV	–
115	ETH1RXDV	P13_12
117	ETH1RESET	P12_3
119	–	–
121	GND	–
123	GND	–
125	GND	–
127	GND	–

Pin	Function	Device port
94	MMCA0DAT5	P14_2
96	MMCA0DAT7	CN_P14_4 *
98	–	–
100	ETH1MDC	P14_3
102	ETH1TXD0	P14_12
104	ETH1TXD1	P14_10
106	ETH1TXD2	P14_7
108	ETH1TXD3	P14_9
110	ETH1TXCLK	P14_11
112	ETH1TXER	P14_8
114	ETH1TXEN	P14_6
116	ETH1COL	–
118	ETH1LINK	CN_P14_4 *
120	–	–
122	GND	–
124	GND	–
126	GND	–
128	GND	–

Note * By default these signals are connected to CN2. To minimize signal interference, they can be disconnected by removing 0 Ω resistors R140, R141, R155-R157, R159-R161, R163, R189, R199.

7.1.3 Main Board Connector CN3

Table 7.3 Main board connector CN3

Pin	Function	Device port
1	CSI0CS0	P23_2
3	CSI0CS1	P23_4
5	CSI0CS2	P23_3
7	CSI0CS3	P23_0
9	–	–
11	–	–
13	PSI5SRX1	P33_2
15	PSI5STX1	P33_0

Pin	Function	Device port
2	CSI0CLK	P23_7
4	CSI0SI (MSPI3)	P23_6
6	CSI0SO	P23_5
8	–	–
10	CSI1CS1	P33_4
12	–	–
14	PSI5RX1	P02_9
16	PSI5TX1	P02_7

Table 7.3 Main board connector CN3 (cont'd)

Pin	Function	Device port
17	PSI5SCLK1	P33_1
19	–	–
21	CSI1CS2	P33_7
23	–	–
25	–	–
27	–	–
29	CSI1SCLK	P33_6
31	–	–
33	MOT0ADU (RFU)	AN00_0
35	MOT0ADV (RFU)	AN00_1
37	MOT0ADW (RFU)	AN00_2
39	MOT0RDCS1 (RFU)	AN24_3
41	MOT0RDCS3 (RFU)	AN24_2
43	MOT0RDCS2 (RFU)	AN24_0
45	MOT0RDCS4 (RFU)	AN24_1
47	MOT0RDCCOM (RFU)	AN25_1
49	MOT0RDCRSO (RFU)	AN25_0
51	–	–
53	–	–
55	AD1_0	AN11_0
57	AD1_2	AN11_2
59	AD1_4	AN12_0
61	AD1_6	AN12_2
63	PWM0	P33_0
65	PWM2	P33_2
67	PWM4	P33_4
69	PWM6	P33_6
71	DIGIO16	P20_0
73	DIGIO18	P20_2
75	DIGIO20	P20_4
77	DIGIO22	P20_6
79	ENC0	CN_P10_5 *1

Pin	Function	Device port
18	–	–
20	–	–
22	CSI1CS3	P33_8
24	CSI1CS0	P22_5
26	DIGIO_24	P22_6
28	CSI1SO	CN_P22_3 *1
30	CSI1SI	P33_3
32	–	–
34	AD0 (RFU)	AN10_0
36	AD1 (RFU)	AN10_1
38	AD2 (RFU)	AN10_2
40	RDCS1 (RFU)	AN27_2
42	RDCS3 (RFU)	AN27_1
44	RDCS2 (RFU)	AN26_0
46	RDCS4 (RFU)	AN26_2
48	RDCCOM (RFU)	AN27_3
50	RDCRSO (RFU)	AN26_3
52	–	–
54	–	–
56	AD1_1	AN11_1
58	AD1_3	AN11_3
60	AD1_5	AN12_1
62	AD1_7	AN12_3
64	PWM1	P33_1
66	PWM3	P33_3
68	PWM5	P33_5
70	PWM7	P33_7
72	DIGIO17	P20_1
74	DIGIO19	P20_3
76	DIGIO21	P20_5
78	DIGIO23	P20_7
80	ENC1	P10_6

Table 7.3 Main board connector CN3 (cont'd)

Pin	Function	Device port
81	–	–
83	MOT0U_P (RFU)	CN_P21_2 *1
85	MOT0U_N (RFU)	CN_P21_3 *1
87	MOT0V_P (RFU)	CN_P21_4 *1
89	MOT0V_N (RFU)	CN_P21_5 *1
91	MOT0W_P (RFU)	CN_P25_4 *1
93	MOT0W_N (RFU)	CN_P25_3 *1
95	–	–
97	–	–
99	–	–
101	GND	–
103	–	AN04_1
105	–	AN04_3
107	–	AN01_3
109	–	AN01_2
111	–	AN23_3
113	–	AN22_2
115	–	AN23_2
117	–	AN22_3
119	GND	–
121	GND	–
123	GND	–
125	GND	–
127	GND	–

Pin	Function	Device port
82	–	–
84	O1 (RFU)	CN_P13_0 *1
86	O2 (RFU)	CN_P13_1 *1
88	O3 (RFU)	CN_P13_2 *1
90	O4 (RFU)	CN_P13_3 *1
92	O5 (RFU)	CN_P14_5 *1
94	O6 (RFU)	CN_P14_4 *1
96	–	–
98	–	–
100	ETH0_SO_P	CN_ETH0_SG_TXD_P *2
102	ETH0_SO_N	CN_ETH0_SG_TXD_N *2
104	–	–
106	ETH0_SI_P	CN_ETH0_SG_RXD_P *2
108	ETH0_SI_N	CN_ETH0_SG_RXD_N *2
110	–	–
112	ETH1_SO_P	CN_ETH1_SG_TXD_P *2
114	ETH1_SO_N	CN_ETH1_SG_TXD_N *2
116	–	–
118	ETH1_SI_P	CN_ETH1_SG_RXD_P *2
120	ETH1_SI_N	CN_ETH1_SG_RXD_N *2
122	GND	–
124	GND	–
126	GND	–
128	GND	–

Note *1 By default these signals are connected to CN3. In order to minimize signal interference, they can be disconnected by removing 0 Ω resistors R148, R149, R155-R157, R160, R161, R163, R189-R193, R199.

*2 By default these signals are not connected to CN3 in order to minimize signal interference. If required they can be connected via 0 Ω resistors R22, R23, R34-R39.

(RFU) Ready for use with future main boards, actually main boards do not support this function.

7.2 Debug Connector CN4

Table 7.4 On-chip debug connector CN4

Pin	Function	Device port
1		TODP0
3		TODN0
5	GND	
7	–	–
9	–	–
11	GND	
13	–	–
15	–	–
17	GND	
19	–	–
21	–	–
23	GND	
25	–	–
27	–	–
29	GND	
31	–	–
33	–	–
35	GND	
37	–	–
39	–	–
41	GND	
43	–	–
45	–	–

Pin	Function	Device port
2	VCC	
4	TCK	JP0_2
6	–	–
8	AURORES#	AURORES#_VCC
10	VSTBY	EMUVDD
12	TRST	Controlled by JP5 JP5 [1-2]: SYSVCC JP5 [2-3]: TRST#
14	MD0	FLMD0_TOOL
16	EVTI0	P32_2
18	EVTO0	Controlled by SW4 SW4-2 [ON]: EVTO0# SW4-3 [ON]: EVTO0#_P32_0
20	MSYN#	MSYN#
22		RESET#
24	GND	
26		CICREFP
28		CICREFN
30	GND	
32	WDGDIS	–
34		RESETOUT#
36	GND	
38	TMS	JP0_3
40	TDI / LPDIO / FPDR	JP0_0
42	GND	
44	TDO / LPDO / FPDT	JP0_1
46	DRDY	JP0_5

7.3 Device Ports Connectors CN5, CN6, CN13, CN14 and CN15

The device port connectors enable easy connection to almost all ports of the device.

CAUTION

The pin headers are directly connected to the pins, therefore special care must be taken to avoid any electrostatic or other damage to the device.

7.3.1 Device Ports Connector CN5

Table 7.5 Device ports connector CN5

Pin	PCB Silk	Device port
1	C1	AN05_0
2	C2	AN06_2
3	C3	AN04_1
4	C4	AN03_2
5	C5	AN02_1
6	C6	AN02_0
7	C7	AN00_3
8	C8	AN00_1
9	C9	LP_ AN20_3
10	C10	LP_ AN20_0
11	C11	LP_ AN22_1
12	C12	LP_ AN23_0
13	C13	AN23_2
14	C14	AN22_2
15	C15	AN25_0
16	C16	AN24_1
17	C17	AN24_2
18	C18	AN26_2
19	C19	AN26_3
20	C20	AN31_0
21	C21	AN31_1
22	C22	AN31_3
23	C23	P02_11
24	C24	P00_5

Table 7.5 Device ports connector CN5 (cont'd)

Pin	PCB Silk	Device port
25	C25	P00_10
26	C26	P02_6
27	C27	P02_5
28	C28	P00_2
29	C29	P00_7
30	C30	P02_0
31	C31	P01_4
32	C32	P01_6
33	C33	P10_8
34	C34	CN_P10_7 *
35	C35	P10_13
36	C36	CN_P10_2 *
37	C37	P10_10
38	C38	P11_9
39	C39	P11_8
40	C40	P11_0

Note * By default these signals are connected to CN5. To minimize signal interference, they can be disconnected by removing 0 Ω resistors R146 and R155.

7.3.2 Device Ports Connector CN6

Table 7.6 Device ports connector CN6

Pin	PCB Silk	Device port
1	H1	P30_2
2	H2	P33_6
3	H3	P33_7
4	H4	P34_3
5	H5	P34_2
6	H6	P32_1
7	H7	P32_2
8	H8	P32_4
9	H9	P23_0
10	H10	P23_6

Table 7.6 Device ports connector CN6 (cont'd)

Pin	PCB Silk	Device port
11	H11	P23_2
12	H12	P23_4
13	H13	ETH_SG_REFCLK
14	H14	P22_0
15	H15	CN_P21_2 *
16	H16	P22_4
17	H17	P22_6
18	H18	P22_7
19	H19	CN_P25_6 *
20	H20	RAMSVCL
21	H21	P22_13
22	H22	RESETOUT#
23	H23	PWRCTL
24	H24	ERROROUT_M#
25	H25	VMONOUT#
26	H26	P20_3
27	H27	P20_1
28	H28	P20_4
29	H29	P14_0
30	H30	P14_3
31	H31	P14_6
32	H32	P14_9
33	H33	CN_P13_2 *
34	H34	CN_P14_4 *
35	H35	P12_0
36	H36	P12_3
37	H37	P12_6
38	H38	P13_8
39	H39	P13_13
40	H40	P11_5

Note * By default these signals are connected to CN6. To minimize signal interference, they can be disconnected by removing 0 Ω resistors R150, R160, R189, R191.

7.3.3 Device Ports Connector CN13

Table 7.7 Device ports connector CN13

Pin	PCB Silk	Device port
1	F1	P24_9
3	F2	P24_10
5	F3	–
7	F4	P30_0
9	F5	P33_1
11	F6	AN11_2
13	F7	P33_0
15	F8	AN12_0
17	F9	AN11_0
19	F10	AN10_3
21	F11	AN10_1
23	F12	AN05_3
25	F13	P23_8
27	F14	P23_9

Pin	PCB Silk	Device port
2	E1	P24_8
4	E2	P24_11
6	E3	P30_1
8	E4	P33_2
10	E5	AN12_3
12	E6	AN12_1
14	E7	AN11_3
16	E8	AN11_1
18	E9	AN12_2
20	E10	AN10_2
22	E11	AN10_0
24	E12	AN05_1
26	E13	P23_10
28	E14	P23_11

7.3.4 Device Ports Connector CN14

Table 7.8 Device ports connector CN14

Pin	PCB Silk	Device port
1	K1	P33_3
3	K2	P30_3
5	K3	P30_4
7	K4	P33_8
9	K5	P33_9
11	K6	P34_4
13	K7	P32_0
15	K8	P32_3
17	K9	P23_1
19	K10	P23_5
21	K11	P23_7
23	K12	GETH0VCL
25	K13	X1_C

Pin	PCB Silk	Device port
2	J1	P33_4
4	J2	P33_5
6	J3	P34_1
8	J4	P34_0
10	J5	P33_10
12	J6	P33_11
14	J7	P33_12
16	J8	P33_13
18	J9	P32_5
20	J10	P32_6
22	J11	P23_3
24	J12	GETH1VCL
26	J13	X2_C

Table 7.8 Device ports connector CN14 (cont'd)

Pin	PCB Silk	Device port
27	K14	CN_P22_3 *1
29	K15	P22_1
31	K16	CN_P21_5 *1
33	K17	CN_P21_4 *1
35	K18	CN_P25_3 *1
37	K19	P22_8
39	K20	P22_9
41	K21	P22_11
43	K22	TRST#
45	K23	SBMD
47	K24	JP0_2
49	K25	CN_JP0_1 *2
51	K26	CN_JP0_5 *2
53	K27	P20_5
55	K28	P14_1
57	K29	P20_7
59	K30	P14_7
61	K31	CN_P13_0 *1
63	K32	P14_12
65	K33	P14_11
67	K34	P12_1
69	K35	P12_8
71	K36	P12_9
73	K37	P13_10
75	K38	P13_11
77	K39	P13_14
79	K40	P10_11

Pin	PCB Silk	Device port
28	J14	P25_2
30	J15	CN_P21_3 *1
32	J16	P22_2
34	J17	P22_5
36	J18	CN_P25_4 *1
38	J19	CN_P25_5 *1
40	J20	P22_10
42	J21	P22_12
44	J22	FLMD0
46	J23	RESET#
48	J24	CN_JP0_0 *2
50	J25	CN_JP0_3 *2
52	J26	P20_2
54	J27	P20_6
56	J28	P20_0
58	J29	P14_8
60	J30	P14_2
62	J31	CN_P13_1 *1
64	J32	P14_10
66	J33	CN_P13_3 *1
68	J34	CN_P14_5 *1
70	J35	CN_P12_5 *1
72	J36	P12_2
74	J37	P12_7
76	J38	P13_9
78	J39	P13_12
80	J40	P11_3

Note *1 By default these signals are connected to CN14. To minimize signal interference, they can be disconnected by removing 0 Ω resistors R148, R149, R151, R156, R159, R161, R163, R190, R192, R193, R199.

*2 By default these signals are not connected to CN14 to minimize signal interference. If required, they can be connected via 0 Ω resistors R185-R188.

7.3.5 Device Ports Connector CN15

Table 7.9 Device ports connector CN15

Pin	PCB Silk	Device port
1	B1	AN06_3
3	B2	AN06_0
5	B3	AN03_3
7	B4	AN04_0
9	B5	AN02_3
11	B6	AN02_2
13	B7	AN01_0
15	B8	AN01_1
17	B9	AN00_0
19	B10	LP_AN20_2
21	B11	LP_AN21_3
23	B12	AN22_3
25	B13	AN21_0
27	B14	AN21_1
29	B15	AN21_2
31	B16	AN25_1
33	B17	AN25_2
35	B18	AN27_0
37	B19	AN27_1
39	B20	AN30_0
41	B21	AN30_2
43	B22	AN31_2
45	B23	P02_10
47	B24	P02_9
49	B25	P00_4
51	B26	P00_9
53	B27	P02_4
55	B28	P02_3
57	B29	P00_1
59	B30	P00_0

Pin	PCB Silk	Device port
2	A1	AN06_1
4	A2	AN05_2
6	A3	AN04_2
8	A4	AN03_0
10	A5	AN04_3
12	A6	AN03_1
14	A7	AN01_3
16	A8	AN01_2
18	A9	AN00_2
20	A10	LP_AN20_1
22	A11	LP_AN23_1
24	A12	AN23_3
26	A13	AN22_0
28	A14	AN24_0
30	A15	AN24_3
32	A16	AN25_3
34	A17	AN26_0
36	A18	AN26_1
38	A19	AN27_2
40	A20	AN27_3
42	A21	AN30_1
44	A22	AN30_3
46	A23	P00_11
48	A24	P02_8
50	A25	P02_7
52	A26	P00_3
54	A27	P00_8
56	A28	P02_2
58	A29	P02_1
60	A30	P01_5

Table 7.9 Device ports connector CN15 (cont'd)

Pin	PCB Silk	Device port
61	B31	P00_6
63	B32	P01_3
65	B33	P10_9
67	B34	P10_14
69	B35	P10_12
71	B36	CN_P10_3 *
73	B37	CN_P10_0 *
75	B38	CN_P11_10 *
77	B39	P11_4
79	B40	CN_P11_2 *

Pin	PCB Silk	Device port
62	A31	P01_7
64	A32	P01_8
66	A33	P10_6
68	A34	CN_P10_4 *
70	A35	CN_P10_5 *
72	A36	CN_P12_4 *
74	A37	CN_P10_1 *
76	A38	P11_7
78	A39	P11_6
80	A40	P11_1

Note * By default these signals are connected to CN15. To minimize signal interference, they can be disconnected by removing 0 Ω resistors R140, R141, R147, R153-R155, R198.

7.4 Ethernet Connector CN17, CN18, CN19 and CN22

The connectors are delivered only with pcb of board version D018705_06_V01. They must not be used.

The connectors are not included with pcb of board version D018705_06_V02.

7.5 RHSB1/MSPI6 Connector CN23

Table 7.10 RHSB1/MSPI6 connector CN23

Pin	SW3-2 = ON (RHSB1/MSPI6_MUX)		SW3-2 = OFF (RHSB1/MSPI6_MUX)	
	Device port	Function	Device port	Function
1	P10_0	CLK_P, DATA_IN_P (RHSB1MCSIP / RHSB1FCLP / MSPI6_SCKP)	–	–
3	P10_1	CLK_N, DATA_IN_N (RHSB1MCSIN / RHSB1FCLN / MSPI6_SCKN)	–	–
7	–	–	P10_0	CLK_P, DATA_IN_P (RHSB1MCSIP / RHSB1FCLP / MSPI6_SCKP)
9	–	–	P10_1	CLK_N, DATA_IN_N (RHSB1MCSIN / RHSB1FCLN / MSPI6_SCKN)

Pin	Device port	Function
5	-	-

6	JP3[1-2]: P10_7 JP3[2-3] and JP6[1-2]: P11_2 JP3[2-3] and JP6[2-3]: P12_4	RHSB1CSD0 MSPI6CSS0 MSPI6SSI
11	–	GND
12	–	GND

Pin	SW3-3 = ON (RHSB1/MSPI6_MUX_2)		SW3-3 = OFF (RHSB1/MSPI6_MUX_2)	
	Device port	Function	Device port	Function
2	P10_4	DATA_IN_P (MSPI6_SIP)	P10_2	DATA_OUT_P (RHSB1MCSOP / RHSB1SOP / MSPI6_SOP)
4	P10_5	DATA_IN_N (MSPI6_SIN)	P10_3	DATA_OUT_N (RHSB1MCSON / RHSB1SON / MSPI6_SON)
8	P10_4	DATA_OUT_P (RHSB1MCSOP / RHSB1SOP / MSPI6_SOP)	P10_2	DATA_IN_P (MSPI6_SIP)
10	P10_5	DATA_OUT_N (RHSB1MCSON / RHSB1SON / MSPI6_SON)	P10_3	DATA_IN_N (MSPI6_SIN)

Note

The signals on the RHSB1/MSPI6 interface are connected to connectors CN1–CN3, CN5 and CN15. To minimize signal interference, they can be disconnected by removing 0 Ω resistors R140, R141, R146, R147, R152–R155, R198.

7.6 RHSB0 Connector CN24**Table 7.11 RHSB0 connector CN24**

Pin	SW3_1 = ON (RHSB0_MUX)		SW3_1 = OFF (RHSB0_MUX)	
	Device port	Function	Device port	Function
1	P25_4	CLK_P/DATA_IN_P	–	–
2	–	–	P25_4	CLK_P/DATA_IN_P
3	P25_3	CLK_P/DATA_IN_N	–	–
4	–	–	P25_3	CLK_P/DATA_IN_N
5	–	–	–	–
6	P22_5	CS_OUT	P22_5	CS_OUT
7	–	–	P25_5	DATA_OUT_P
8	P25_6	DATA_OUT_P	–	–
9	–	–	P25_5	DATA_OUT_N
10	P25_5	DATA_OUT_N	–	–

Table 7.11 RHSB0 connector CN24 cont'd

Pin	SW3_1 = ON (RHSB0_MUX)		SW3_1 = OFF (RHSB0_MUX)	
	Device port	Function	Device port	Function
11	–	GND		GND
12	–	GND		GND

Note

The signals on the RHSB0 interface are connected to connectors CN3 and CN14. To minimize signal interference, they can be disconnected by removing 0 Ω resistors R148-R151, R203.

7.7 MSPI9 Connector CN26

Table 7.12 MISP9 connector CN26

Pin	Device port	Function
1	P13_1	CLK_P
2	P14_4	DATA_IN_P
3	P13_0	CLK_N
4	P14_5	DATA_IN_N
5	–	–
6	P12_5 (JP50[1-2] = ON) P11_10 (JP50[2-3] = ON)	CS_OUT
7	–	–
8	P13_3	TXDP
9	–	–
10	P13_2	TXDN
11	–	GND
12	–	GND

Note

The signals on the RHSIF0 interface are connected to connectors CN1 - CN3, CN6, CN14 and CN15. To minimize signal interference, they can be disconnected by removing 0 Ω resistors R156-R161, R163, R189.

7.8 RHSIF0 Connector CN27

Table 7.13 RHSIF0 connector CN27

Pin	JP4 connected		JP4 open	
	Device port	Function	Device port	Function
1	P21_3	RXDP	P21_5	TXDP
2	–	GND	–	GND
3	P21_2	RXDN	P21_4	TXDN
4	–	GND	–	GND
5	–	–	–	–
6	P22_3	REFCLK	P22_3	REFCLK
7	P21_5	TXDP	P21_3	RXDP
8	–	GND	–	GND
9	P21_4	TXDN	P21_2	RXDN
10	–	GND	–	GND
11	–	GND	–	GND
12	–	GND	–	GND

Note

The signals on the RHSIF0 interface are connected to connectors CN1, CN3, CN6 and CN14. To minimize signal interference, they can be disconnected by removing 0 Ω resistors R190-R193, R199.

7.9 Pull-Up/Pull-Down Pin Header CN29

Table 7.14 Pull-up/pull down connector CN29

Pin	Function	Pin	Function
1	fixed L level	2	fixed H level, 3.3V
3			
5			
7			
9		fixed H level, 5.0V	
11			
13			
15			
		10	
		12	
		14	
		16	

8. Jumper Configuration Examples

Several functions of the board can be configured via jumpers. The board is shipped without any jumpers set.

For a complete list of jumpers refer to *2.1 Jumper Overview*.

For jumper settings related to the device operation mode, refer to *6.1 Operation Mode Selection*.

The following sections show some jumper settings, which allow to use the piggyback board in different power supply configurations.

8.1 Stand-Alone Operation with Power Supply by Debugger

Basically, the piggyback board can solely be powered by a connected debugger. Please make sure the debug tool can provide sufficient current on the power supply rails in order to operate the board in a useful manner.

Due to the limited current capability of Renesas' E2 Emulator, powering the board only via this debugger is not feasible.

In case of using another debug tool check its specification whether powering the piggyback board with the tool is possible.

8.2 Operation using FCC Device or Mass Production Device

It is possible to use a device with more debug functions called FCC device or a mass production device with the piggyback board. There are some differences between FCC devices and mass production (MP) devices.

Jumper JP1

- When using an MP device do open jumper JP1.
- When using the FCC device the AURORES# signal has to be provided to the device. On the CN4 debug connector there are 2 signals that can be used for this signal.
 - If the AURORES# signal on CN4 is to be used for the FCC device put a jumper to JP1[2-3].
 - If the TRST# signal on CN4 is to be used for the FCC device put a jumper to JP1[1-2].

Switch SW4

- When using an MP device, or an FCC device with a debug tool that does not support Aurora interface, the signals EVTO0 and MSYN# are not needed on the processor. The switches SW4-1, SW4-2 and SW4-3 must be set OFF.
- When using an FCC device with a debug tool supporting Aurora interface the signals EVTO0 and MSYN# on connector CN4 must be connected to the device. SW4-1 must be set to ON to select the MSYN# signal.
For EVTO0 control set
 - SW4-2 to ON to select the device EVTO# signal or
 - SW4-3 to ON to select P32_0.

Power supply for debug interface

Some power supply jumpers must only be connected when the device is an FCC device. They are not needed when an MP device is used.

- JP10[37-38]: This jumper must be set to supply 3.3V to EMUVCC
- JP10[46-47-48]: This jumper must be set to provide supply voltage to JVCC. The voltage level must be the same as for VCC.
 - JP10[46-47]: use 3.3V as JVCC
 - JP10[47-48]: use 5.0V as JVCC
- JP31 has a jumper to enable EMUVDD supply for an FCC device. This is not needed when an MP device is used.
 - JP31[10-11]: use onboard VDD as EMUVDD

Table 8.1 Power supply jumper settings for FCC devices and MP devices

Purpose	Jumper	RH850/U2B10 RH850/U2B20 RH850/U2B24	RH850/U2B10-FCC RH850/U2B20-FCC RH850/U2B24-FCC
AUORES# Config	JP1	---	O
PWRCTL Config	JP2	U2B10: --- U2B20, U2B24: O	U2B10-FCC: --- U2B20-FCC, U2B24-FCC: O
Port Select for CS_OUT on CN23	JP3	O	O
TX and RX Signal swap on RHSIF0 Interface	JP4	O	O
TRST# Signal Source Select	JP5	O	O
FLMD0 Config	JP46	---	---
SBMD Config	JP47	--- (U2B10) / O (U2B20, U2B24) Please refer to <i>Table 6.1 Device operation mode selection jumpers</i>	--- (U2B10-FCC) / O (U2B20-FCC, U2B24-FCC) Please refer to <i>Table 6.1 Device operation mode selection jumpers</i>
FLMD1 Config	JP48	---	---
LED Output Config	JP7	O	O
A1VREFH Config	JP10[1-2-3]	O	O
A1VCC Config	JP10[4-5-6]	O	O
A0VREFH Config	JP10[7-8-9]	O	O
A0VCC Config	JP10[10-11-12]	O	O
ADSVCC Config	JP10[13-14-15]	O	O
A2VCC Config	JP10[16-17-18]	O	O
A2VREFH Config	JP10[19-20-21]	O	O
AFCVCC Config	JP10[22-23-24]	O	O
A3VCC Config	JP10[25-26-27]	O	O
A3VREFH Config	JP10[28-29-30]	O	O
E1VCC Config	JP10[31-32-33]	O	O
E0VCC Config	JP10[34-35-36]	O	O
EMUVCC Config	JP10[37-38-39]	---	JP10[37-38]
E2VCC Config	JP10[40-41-42]	O	O
SVRDRVCC Config	JP10[43-44-45]	O	O
JVCC Config	JP10[46-47-48]	O, same as VCC Config	O
SYSVCC Config	JP10[49-50-51]	O	O

Table 8.1 Power supply jumper settings for FCC devices and MP devices

Purpose	Jumper	RH850/U2B10 RH850/U2B20 RH850/U2B24	RH850/U2B10-FCC RH850/U2B20-FCC RH850/U2B24-FCC
VCC Config	JP10[52-53-54]	O	O
GETH0BVCC Config	JP10[55-56-57]	U2B10: open, U2B20, U2B24: JP10[55-56]	U2B10-FCC: open, U2B20-FCC, U2B24-FCC: JP10[55-56]
GETH0PVCC Config	JP10[58-59-60]	U2B10: NC (JP10[59-60] or open) U2B20, U2B24: JP10[58-59]	U2B10-FCC: NC (JP10[59-60] or open) U2B20-FCC, U2B24-FCC: JP10[58-59]
VDDIOF Config	JP10[61-62-63]	O	O
ADVSREFH Config	JP10[64-65-66]	O	O
+5.0V power supply from main board	JP12	O	O
int_P3V3 Config	JP20	O	O
+3.3V power supply from main board	JP30	O	O
Ext_VDD Config	JP31[1-2-3]	O	O
VDD Config	JP31[4-5-6]	O	O
VDD Config	JP31[7-8-9]	O	O
EMUVDD Config	JP31[10-11-12]	---	JP31[10-11]
Ethernet enable switch	SW2	U2B10: OFF U2B20, U2B24: O	U2B10-FCC: OFF U2B20-FCC, U2B24-FCC: O
Debug port connection EVTO0 / MSYN#	SW4	OFF	O

--- : Jumper open

O : possible setting

The lines marked in yellow are for use with FCC devices only.




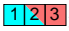
8.3 Configuration Examples

8.3.1 General Settings

All the following board configurations are based on these conditions:

- Normal device operation mode (JP46[OPEN]: FLMD0 = L).
- All voltages for all functions are activated.
- Clock supply: assuming one of the resonators, coming with the board, are plugged into X1 socket.
- For connection to external power supplies the 'banana-type' connectors CN21 (+3.3 V), CN33 (GND) and CN34 (+5.0 V) are assembled on the board.
- If also the core supply voltage of 1.12 V will be supplied from an external power supply the connector CN11 (included in the package) must be assembled on the pcb.

8.3.2 Jumper Indicators

- The **green** jumper JP46 for FLMD0 must always be open for 'normal' (user mode and debug) operation of the device.
- The **red** jumpers are related to the power supply configuration.
Following jumper symbols are used:
 - : Jumper must not be set.
 - : Jumper must be set in the indicated position, in this case position [2-3]
 - : Jumper can be set to position [1-2] or position [2-3]
 - : Jumper with optional setting. The red setting [2-3] is the default setting. The blue setting [1-2] is the optional setting.

Note

The pin 1 of a jumper can be identified by

- a small circle near the jumper
 - a square soldering pad.
-

8.3.3 Stand-Alone Operation with Single External Power Supply 3.3V: Minimum Configuration 1

This example enables to operate the board with only the 3.3 V external power supply. VDD is provided from SVR controller. Since no 5 V voltage is available, all I/O ports can only use 3.3 V.

Table 8.2 Power supply connectors for single power supply 3.3V

Connector	Name	Ext. Power Supply	Remarks
CN11	1.12 V	Not connected	VDD from SVR_OUTPUT (JP31[6-5]) from on-chip Switching Voltage Regulator. Refer to 3.3 Device Core Voltage (VDD) Selection for further details about VDD voltage.
CN21	3.3 V	Connected, +3.3 V	
CN33	GND	Connected, GND	
CN34	5.0 V	Not connected	Jumpers in JP10 (VCC and VREF selection) are set to 3.3 V position JP10[1-2]

Note

- AWOVCL: Regarding AWOVCL setting (JP31[7-8-9]) please refer to Table 6.1 Device operation mode selection jumpers
- PWRCTL: for U2B10: JP2[open]

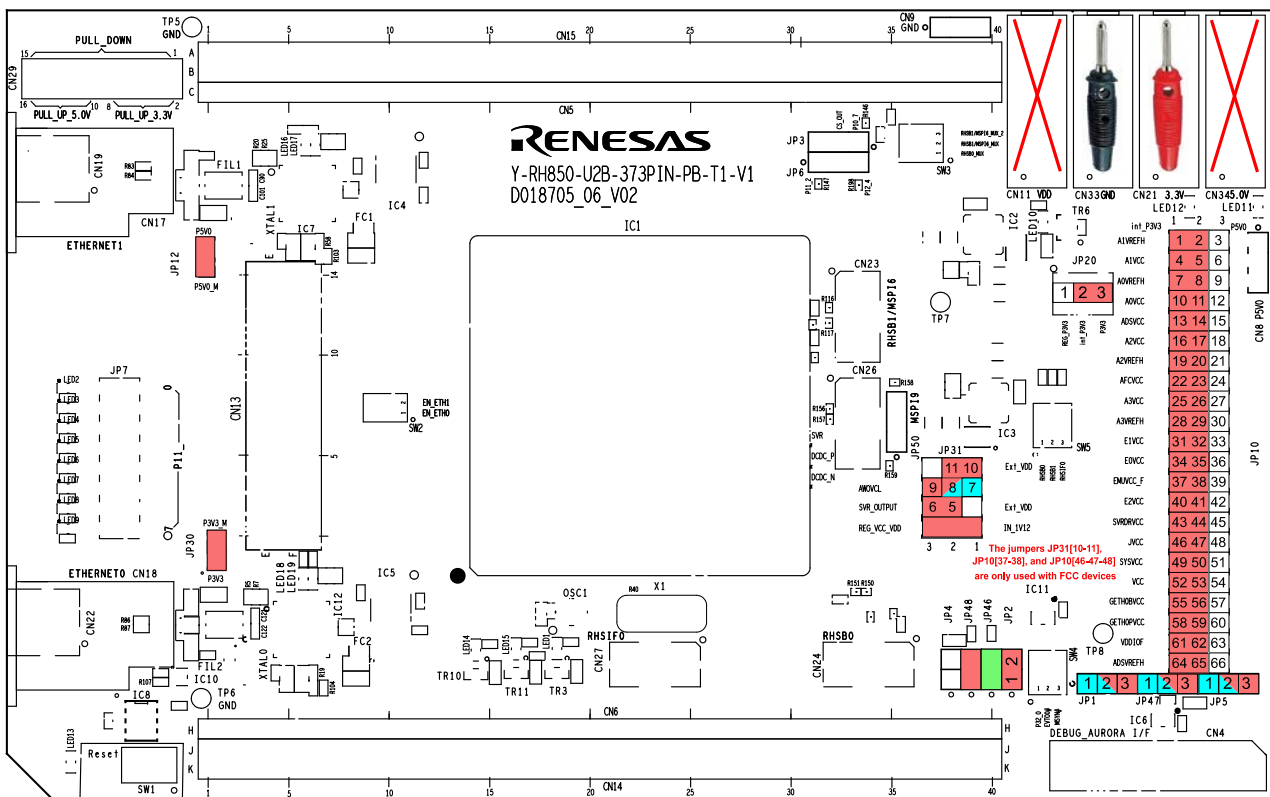


Figure 8.1 Stand-alone operation with single external power supply 3.3V

8.3.4 Stand-Alone Operation with Single External Power Supply 5.0V: Minimum Configuration 2

This example enables us to use the board with only the 5.0 V external power supply. VDD is generated using the voltage generator on the piggyback board. All I/O ports can only use 5.0 V.

Table 8.3 Power supply connectors for single power supply 5.0V

Connector	Name	Ext. Power Supply	Remarks
CN11	1.12 V	Not connected	VDD from onboard voltage regulator (JP31[5-4]) and JP31[2-3] Refer to 3.3 Device Core Voltage (VDD) Selection for further details about VDD voltage.
CN21	3.3 V	Not connected	Jumpers in JP10 (VCC and VREF selection) are set to 5.0 V position. 3.3V from onboard voltage regulator (JP20[1-2]) EMUVCC can only be connected to 3.3V (JP10[37-38]).
CN33	GND	Connected, GND	
CN34	5.0 V	Connected, 5.0 V	

Note

- GETH0BVCC: U2B10: open, U2B20 and U2B24: JP10[55-56]
- GETH0PVCC: U2B10: NC(JP10[59-60] or open), U2B20 and U2B24: JP10[58-59]
- PWRCTL: for U2B10: JP2[open]
- SMBD input selection (JP47): Please refer to Table 6.1 Device operation mode selection jumpers

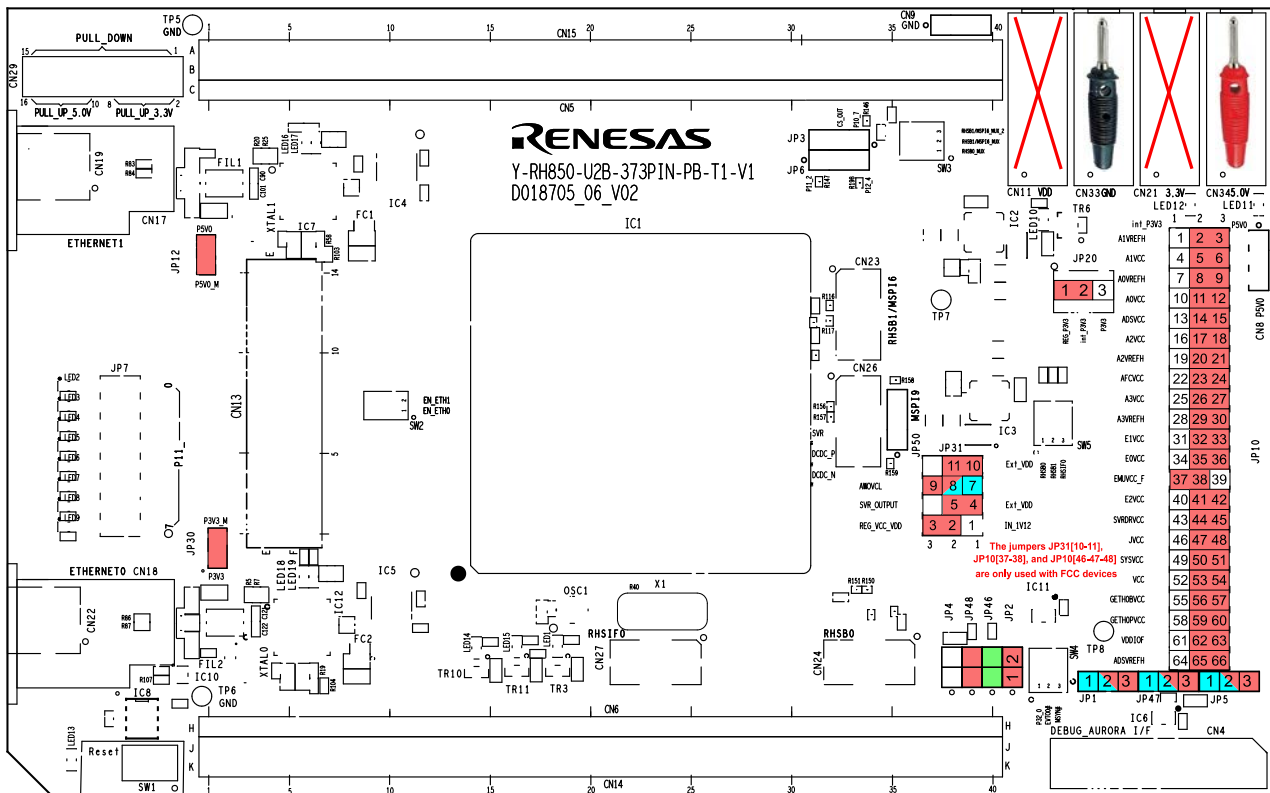


Figure 8.2 Stand-alone operation with single external power supply 5.0V

8.3.5 Stand-Alone Operation with All External Power Supplies: Maximum Configuration

This example assumes all external power supplies are connected and used.

Table 8.4 Power supply connectors to use all external power supplies

Connector	Name	Ext. Power Supply	Remarks
CN11	1.12 V	Connected, 1.12 V	JP31[1-2] and JP31[4-5]: use IN_1v12 for VDD voltage. Refer to 3.3 <i>Device Core Voltage (VDD) Selection</i> for further details about VDD voltage.
CN21	3.3 V	Connected, 3.3 V	Select desired 3.3 V / 5.0 V for VCC and VREF supply voltages via jumpers in JP10. JP20[2-3]: use p3V3 supply for 3.3 V. Refer to 3.2 <i>Voltage Distribution</i> for details on possible settings of jumpers in JP10.
CN33	GND	Connected, GND	
CN34	5.0 V	Connected, 5.0 V	Select desired 3.3 V / 5.0 V for VCC and VREF supply voltages via jumpers in JP10. Refer to 3.2 <i>Voltage Distribution</i> for details on possible settings of jumpers in JP10.

Note

- CN11 : solder connector for CN11 to the piggyback board
- GETH0BVCC : U2B10: open, U2B20 and U2B24: JP10[55-56]
- GETH0PVCC : U2B10: NC(JP10[59-60] or open), U2B20 and U2B24: JP10[58-59]
- PWRCTL: for U2B10: JP2[open]

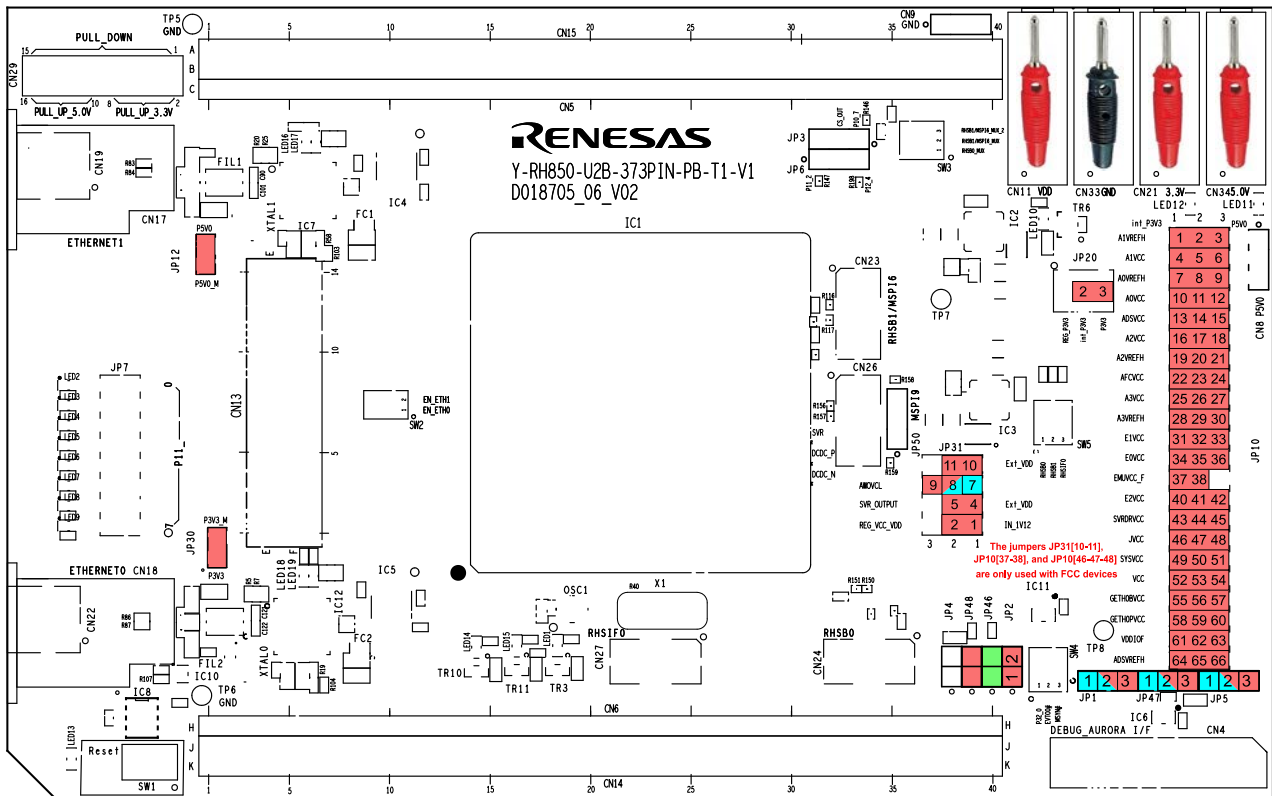


Figure 8.3 Stand-alone operation with all external power supplies

8.3.6 Operation on the Main Board: No External Supply

This example assumes the piggyback board is plugged onto a Main Board, which supplies 3.3 V and 5.0 V.

Do not supply the 5V (CN34) and 3.3V (CN21) voltage directly to the piggyback board

Table 8.5 Power supply connectors to use power supply from main board

Connector	Name	Ext. Power Supply	Remarks
CN11	1.12 V	Not connected	VDD supply: <ul style="list-style-type: none"> - JP31[2-3] and JP31[4-5]: use reg_vcc_VDD from onboard voltage regulator for supply of VDD voltage - JP31[6-5]: use SVR_OUTPUT from on-chip Switching Voltage Regulator Refer to <i>3.3 Device Core Voltage (VDD) Selection</i> for further details about VDD voltage.
CN21	3.3 V	Not connected	Select desired 3.3 V / 5.0 V for VCC and VREF supply voltages via jumpers in JP10 3.3V from main board (JP20[2-3]) or from onboard voltage regulator (JP20[1-2]) Refer to <i>3.2 Voltage Distribution</i> for details on possible settings of jumpers in JP10.
CN33	GND	Not connected	
CN34	5.0 V	Not connected	Select desired 3.3 V / 5.0 V for VCC and VREF supply voltages via jumpers in JP10 Refer to <i>3.2 Voltage Distribution</i> for details on possible settings of jumpers in JP10.
JP12	P5V0_M		Use jumper JP12[1-2] to connect the 5.0 V supply from the main board to the piggyback board
JP30	P3V3_M		Use jumper JP30[1-2] to connect the 3.3 V supply from the main board to the piggyback board

Note

This configuration still allows the use an external IN_1v12 voltage (connected to CN11) as the source for VDD voltage. In this case set JP31[1-2] and JP31[4-5].

- GETH0BVCC : U2B10: open, U2B20 and U2B24: JP10[55-56]
- GETH0PVCC : U2B10: NC(JP10[59-60] or open), U2B20 and U2B24: JP10[58-59]
- PWRCTL: for U2B10: JP2[open]

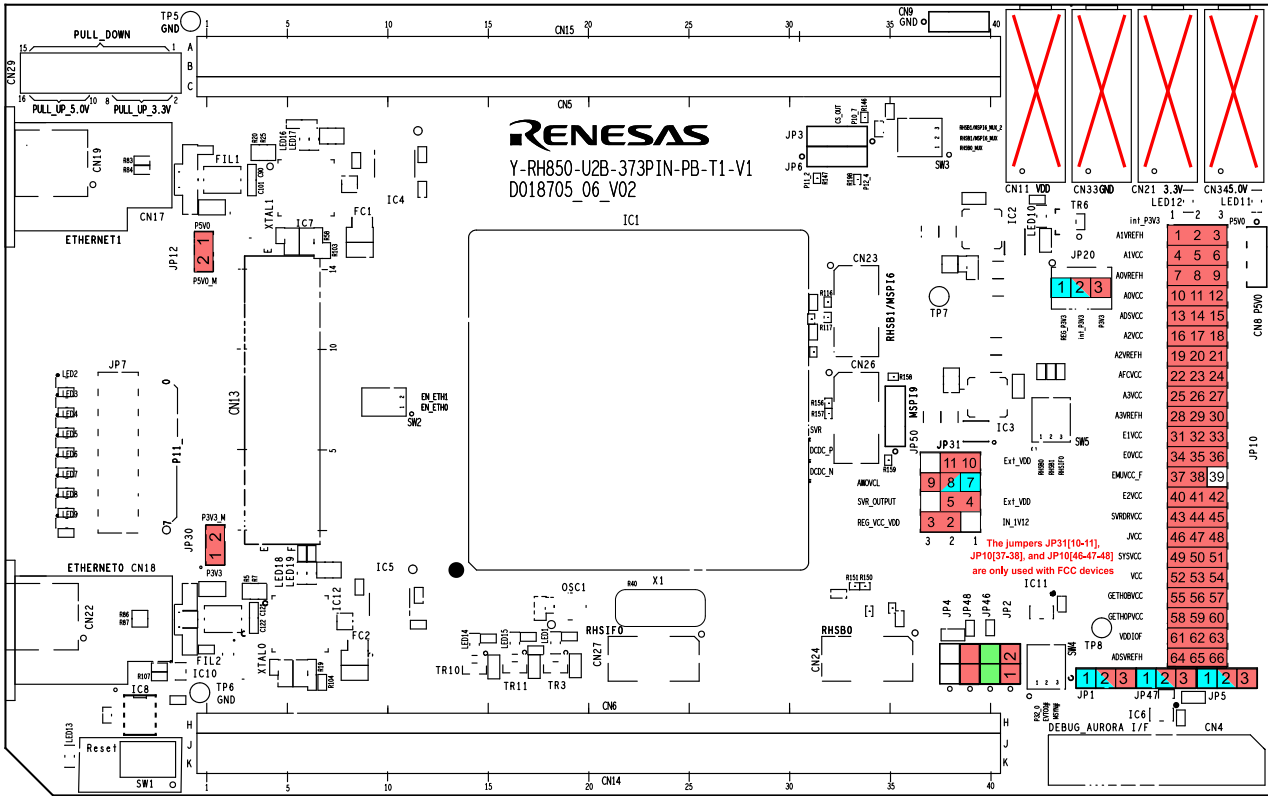


Figure 8.4 Main board operation without external power supply

CAUTION

Do not supply 5V (CN34) and 3.3V (CN21) directly to the piggyback board if these voltages are already supplied by the main board.

9. Precautions

9.1 Power-Off Sequence

A dedicated sequence needs to be applied when the power supply to the board is turned off.

Please follow the below sequence:

1. At first turn the RESET switch SW1 into '5-6 ON' position, so that RESET is permanently asserted.
Alternatively keep SW1 manually in '5-4 (ON)' position.
2. Turn off the board power supply.
3. After the power supply has shut down, release RESET by returning SW1 into the 'OFF' position.

For details how to apply a RESET, please refer to section *6.2 RESET Switch*.

9.2 Power On Piggyback Board Without RH850 Microcontroller installed

The piggyback board Y-RH850-U2B-373PIN-PB-T1-V1 is not designed to be powered on when the RH850 microcontroller is not installed in socket IC1.

If the microcontroller is not installed the SVR power supply circuit does not have the control signals SVRNGATE and SVRPGATE and may be damaged.

If for some reason the board has to be powered on without a microcontroller mounted in socket IC1 please make sure the jumper CN10[43-44-45] (SVRDRVCC) is open. In this case no power is supplied to the SVR control circuit, and it will not be damaged.

If the piggyback board is being used with the microcontroller installed please make sure the ports SVRNGATE and SVRPGATE are set to "Fixed" (output) in bit SVRENDCHZ in option byte 25.

10. Mechanical Dimensions

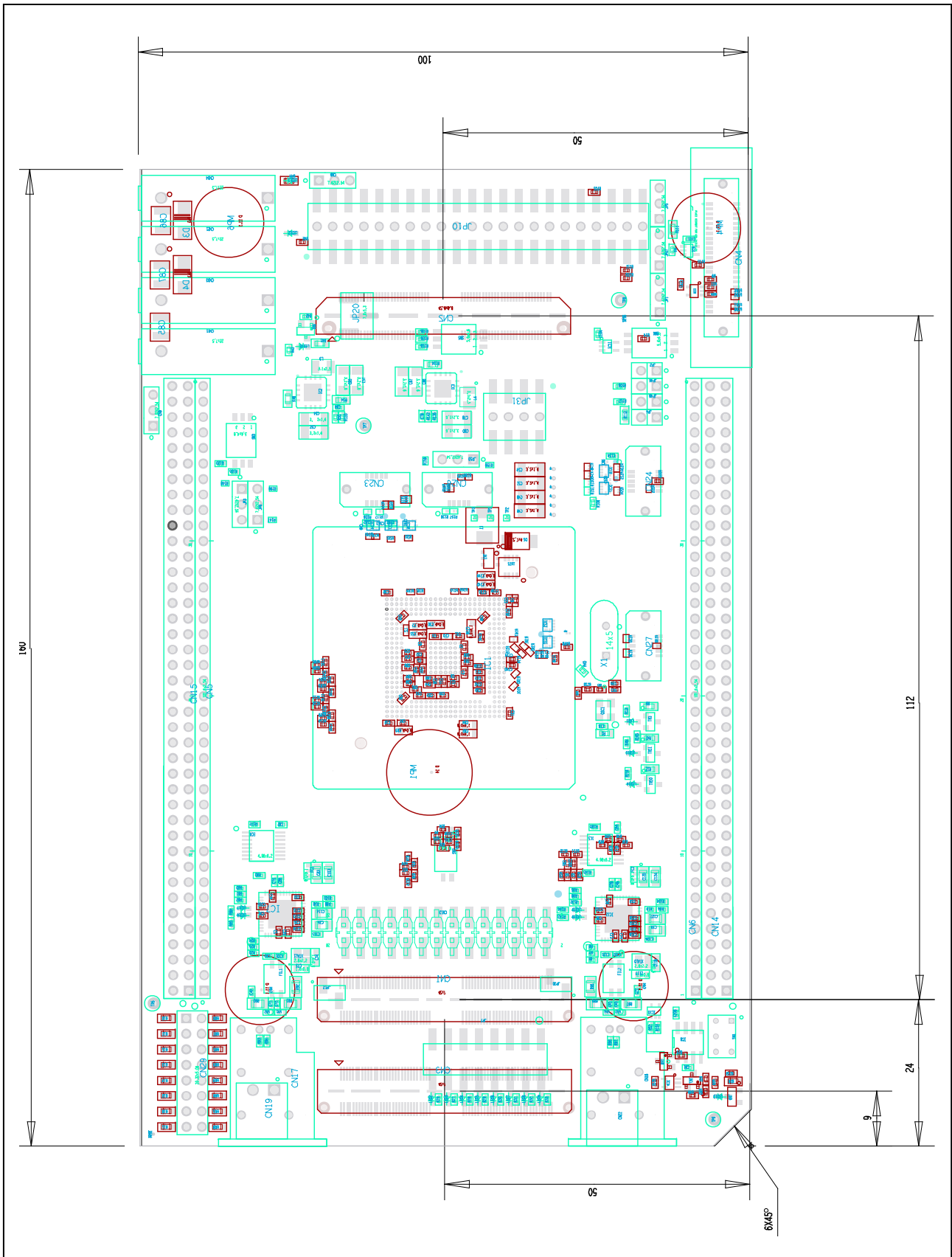


Figure 9.1 Mechanical dimensions

11. Schematics

CAUTION

The schematics shown in this document are not intended to be used as a reference for mass production. Any usage in an application design is the sole responsibility of the customer.

11.1 Board Version D018705_06_V01

The following components described in the schematics are not provided with the board upon delivery:

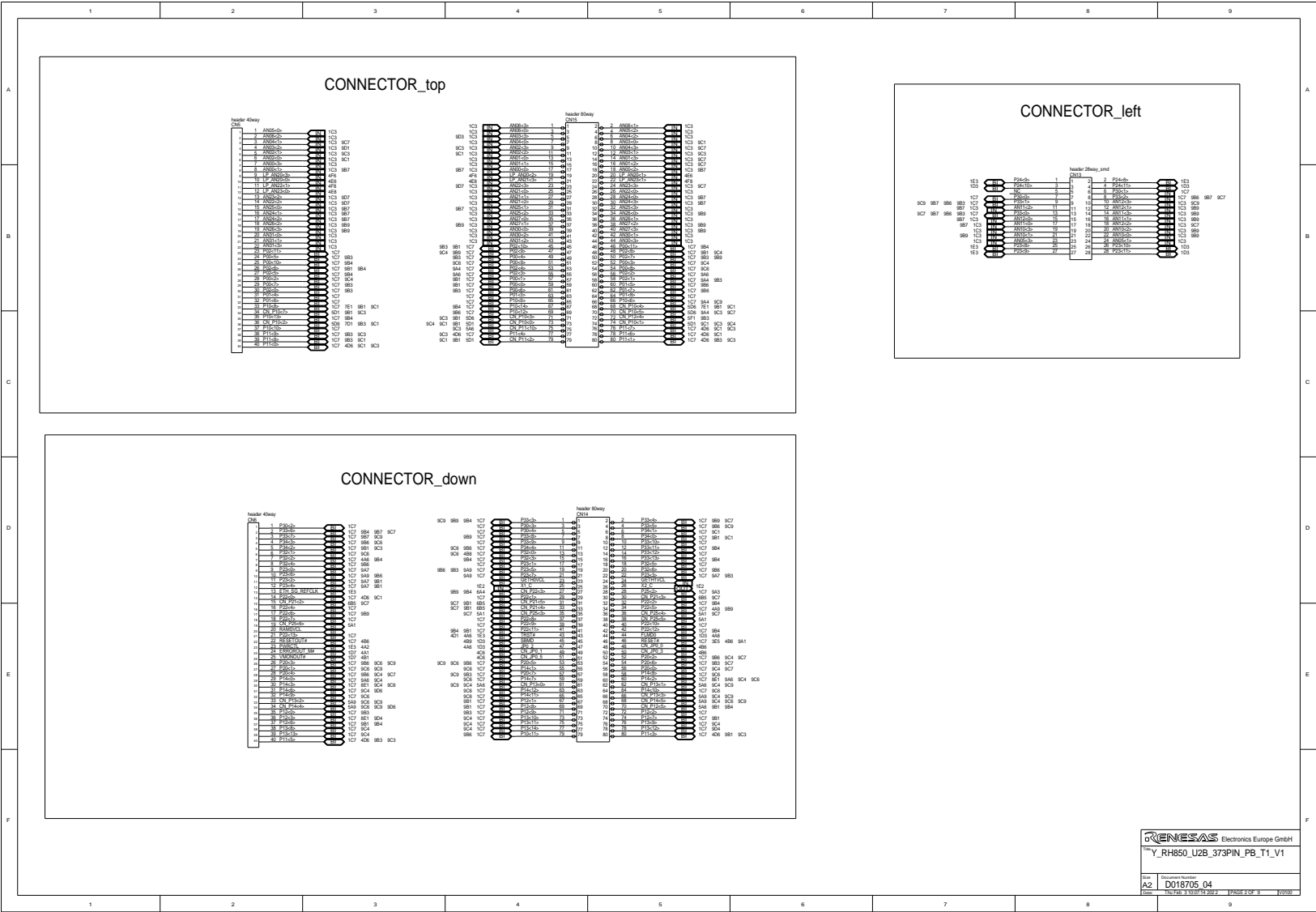
- Capacitors: C90, C97, C98, C101, C121, C122
- Resistors: R5, R7, R19, R20, R22, R23, R25, R34-R39, R57, R58, R64, R69, R78, R79, R83, R84, R86, R87, R100, R101, R103, R104, R107, R114, R115, R121-R123, R185-R188,

The above components are marked with "DNF/DNB" in the schematics.

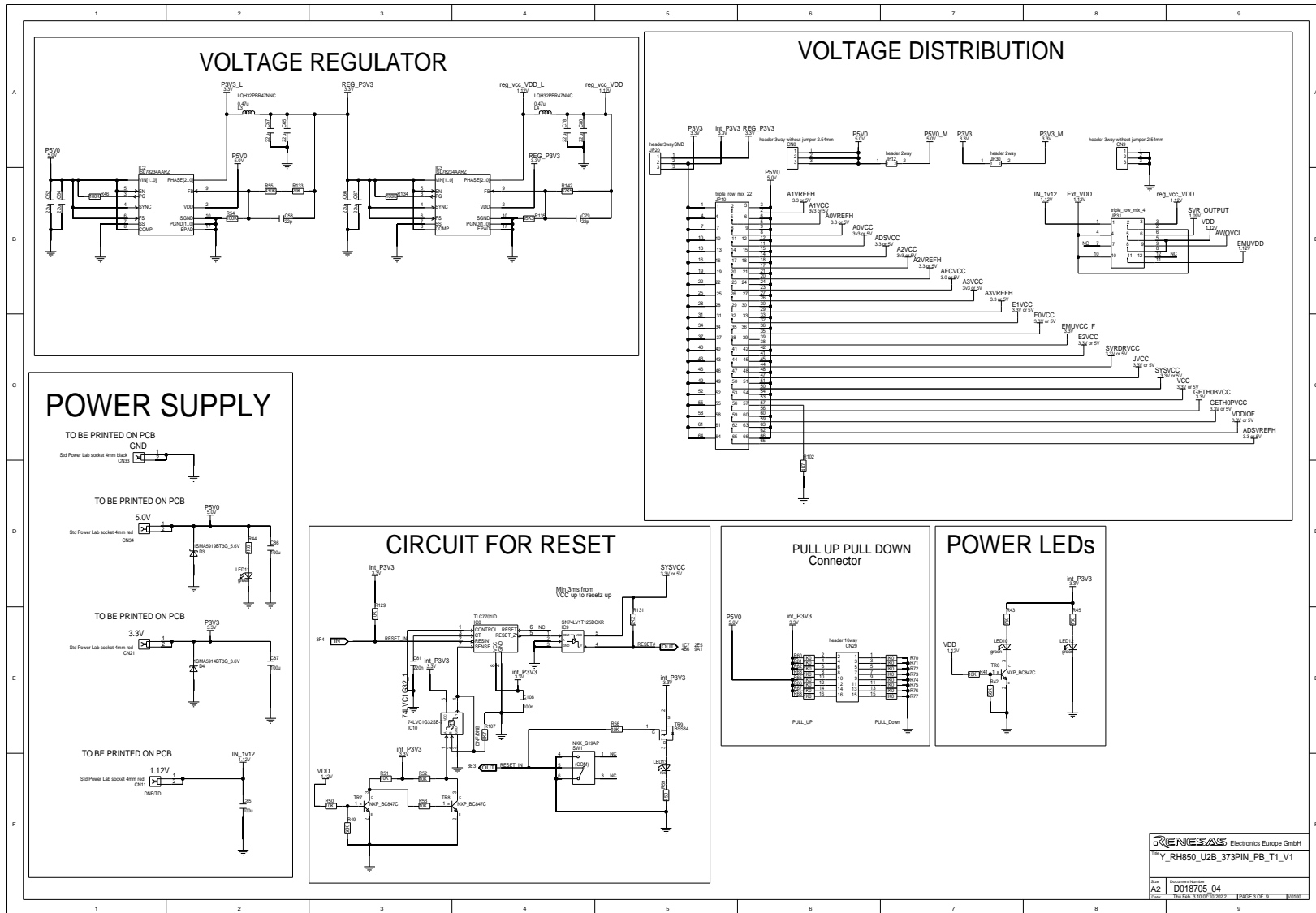
The following components described in the schematics are provided with but not mounted on the board upon delivery:

- 1 Hirschmann 4 mm power lab sockets, red for CN11
- Four resonators HC49 (16/24/25/40 MHz)
- 47 jumpers, 2.54 mm, black
- Würth PCB Terminal Block connector (CN19, CN22)
- TE MATEnet 1000BASE-T1 Ethernet Port connector (CN17, CN18)
- Resistors 100 Ohm: R124, R162, R164, R167, R169, R170, R174, R175, R201, R204, R205

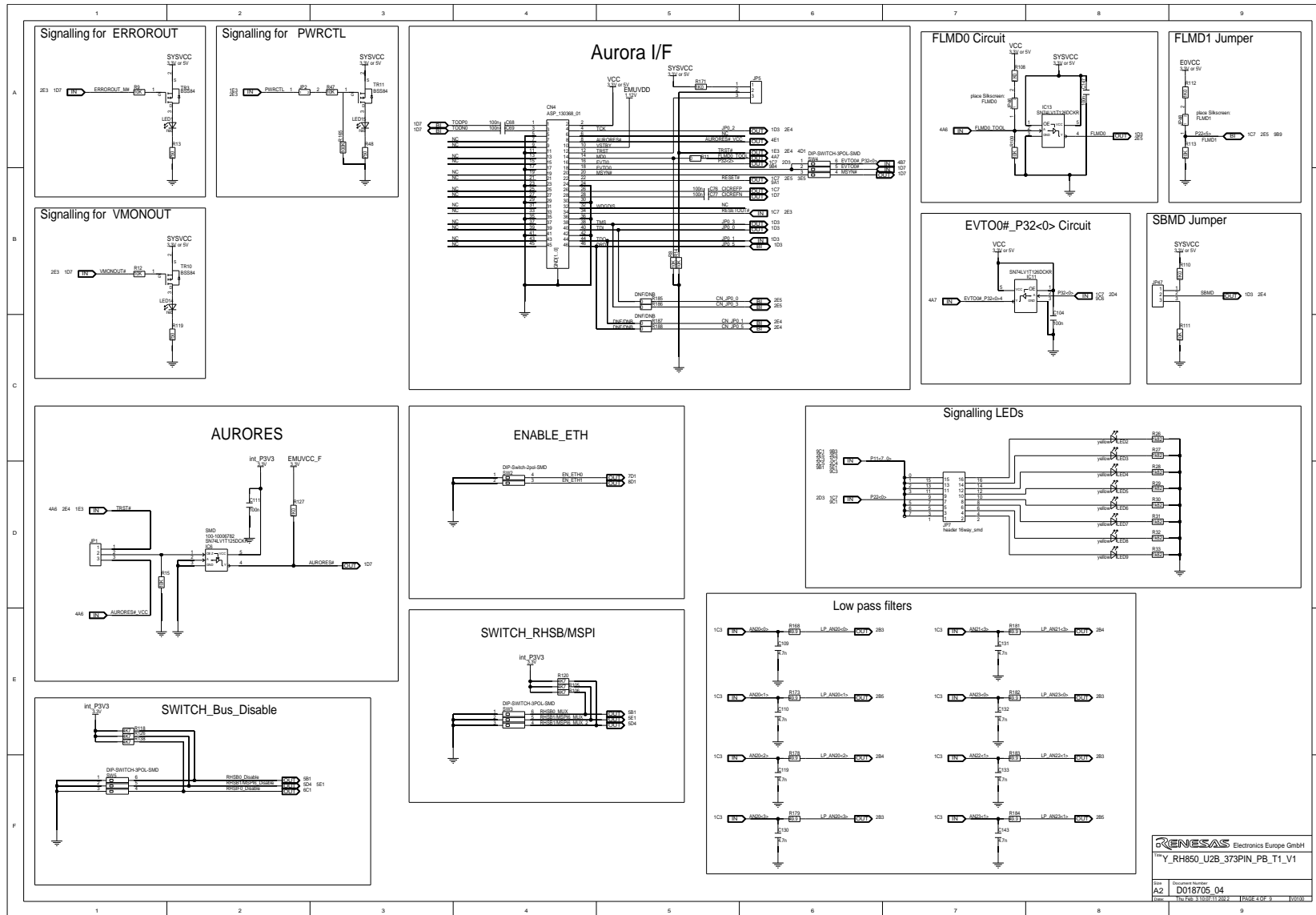
The above components are marked with "DNF / TD" in the schematics.



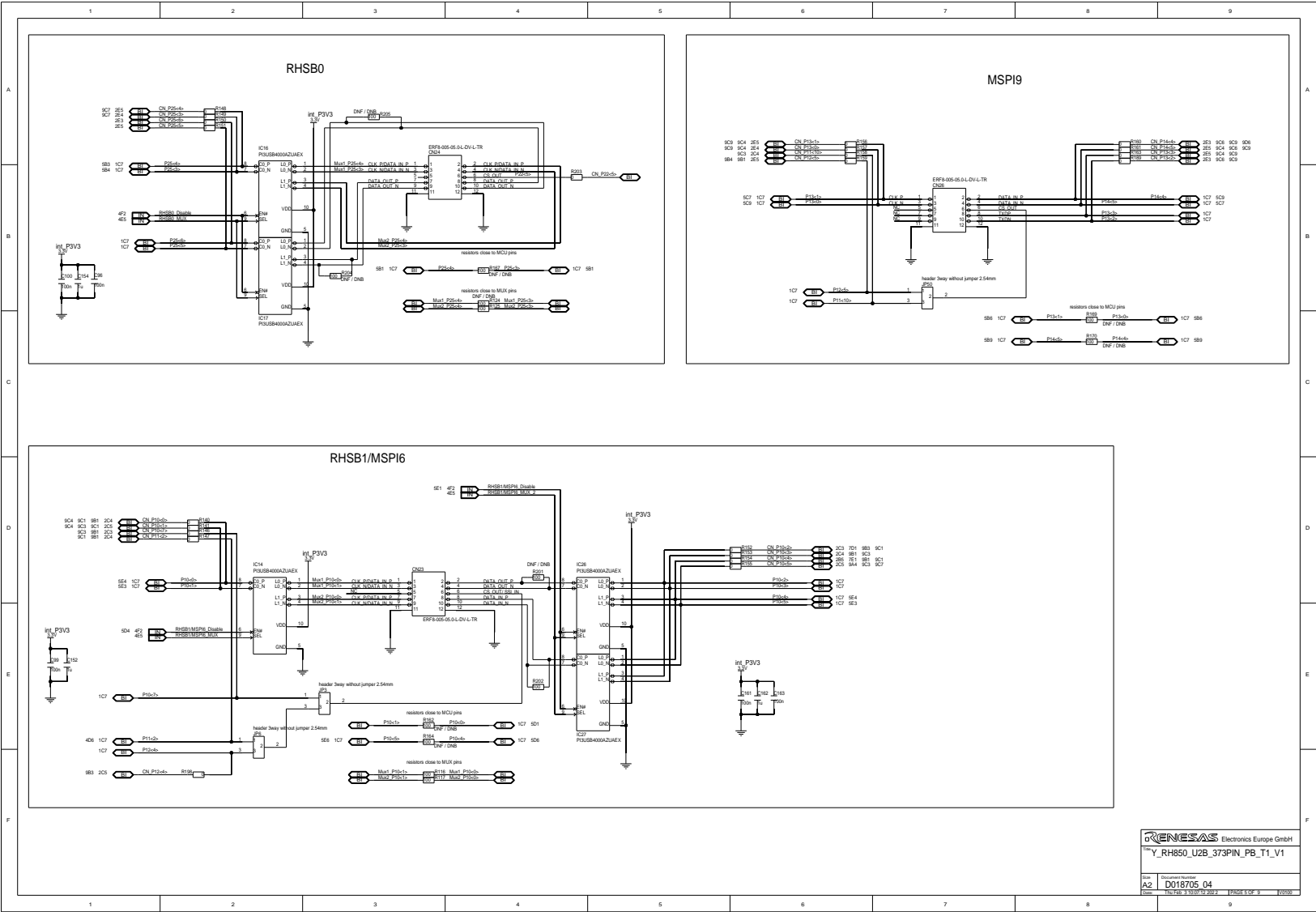
Electronics Europe GmbH
 Y_RH850_U2B_373PIN_PB_T1_V1
 Rev. A2
 D018705_04
 Date: Thu Feb 1 10:09:14 2024 Page 2 of 9 R01030



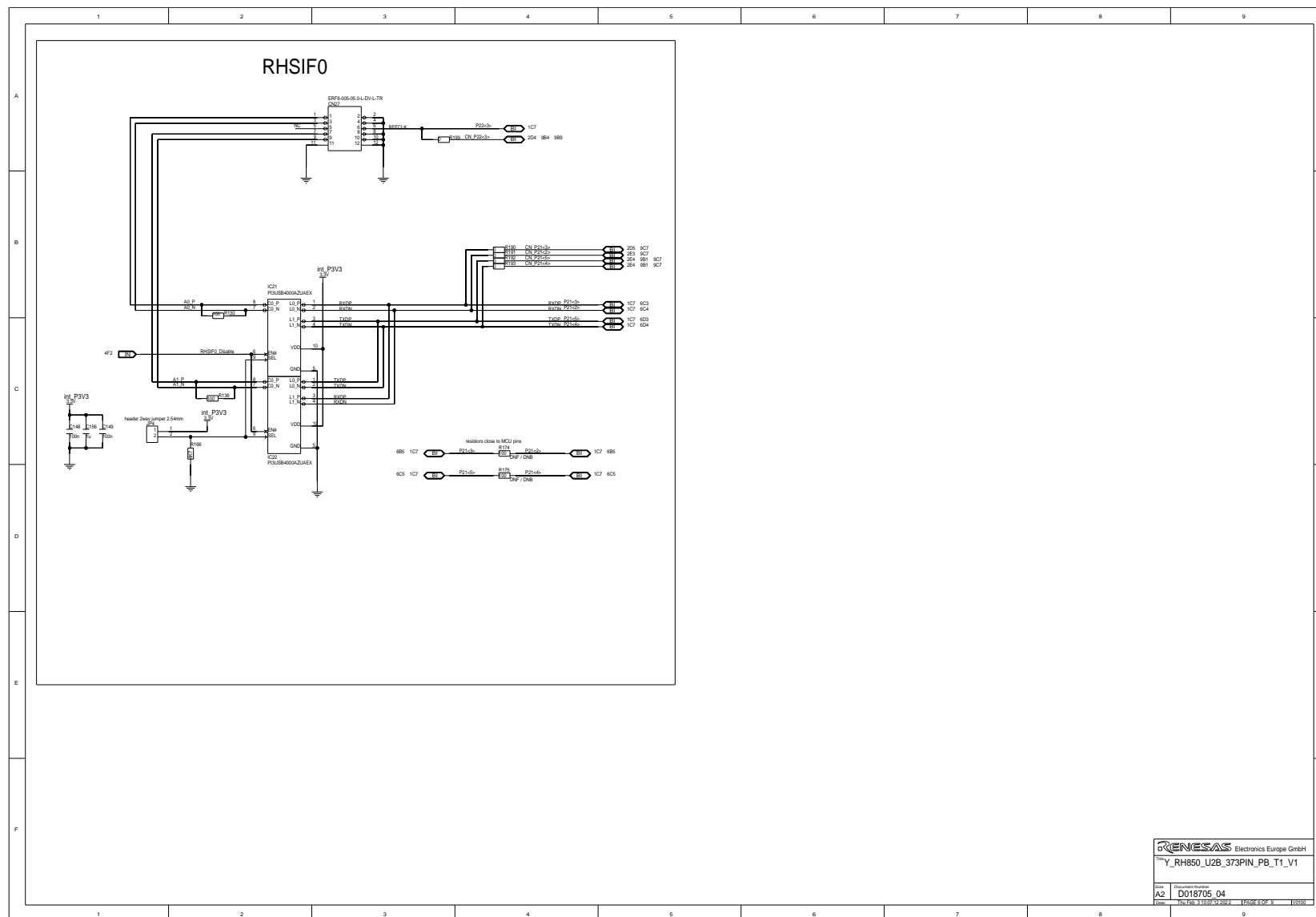
RENESAS Electronics Europe GmbH
 Y_RH850_U2B_373PIN_PB_T1_V1
 Rev. A2
 D018705_04
 Date: 19/11/2022 10:00:00 PAGE 3 OF 9 10/2022

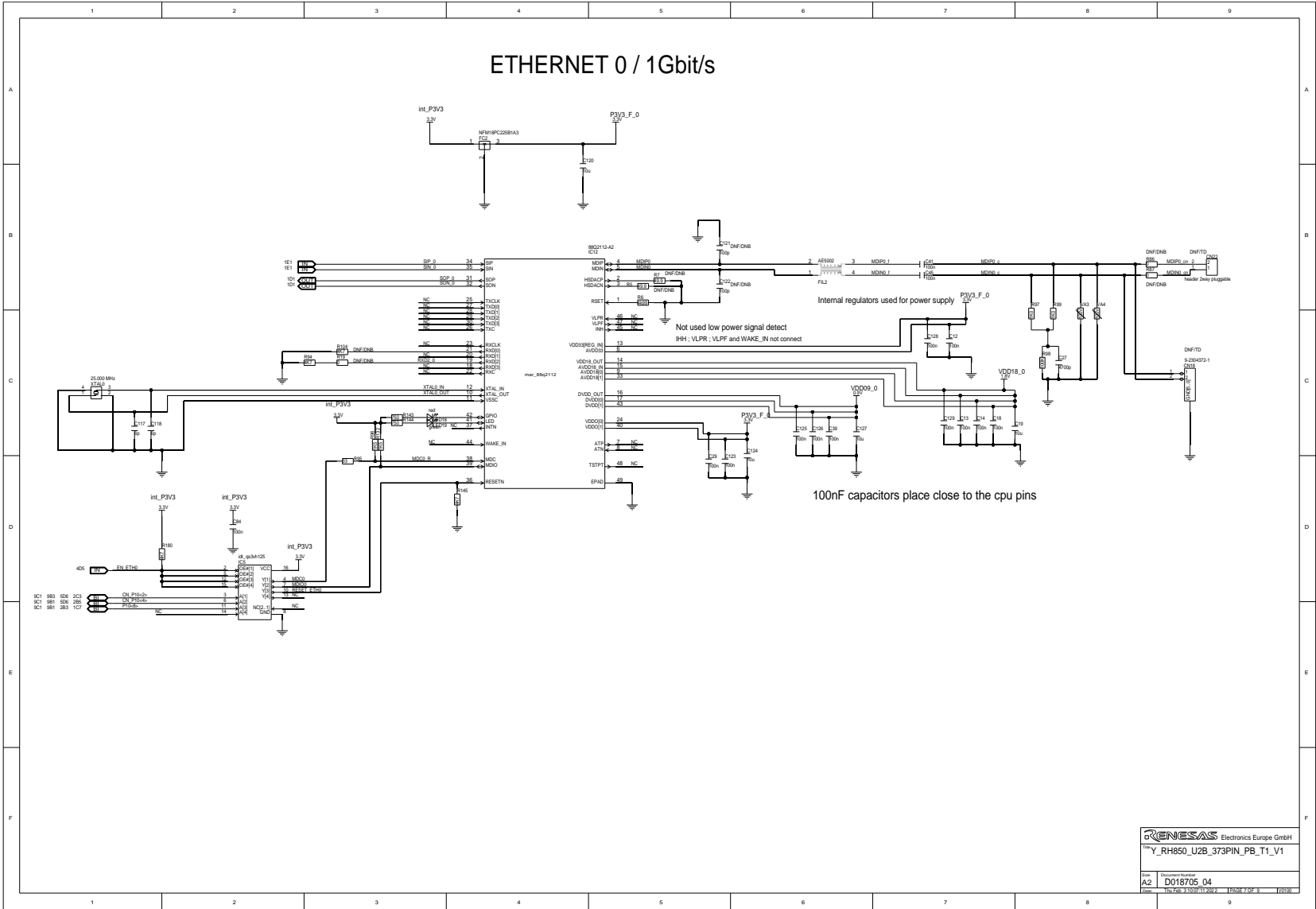


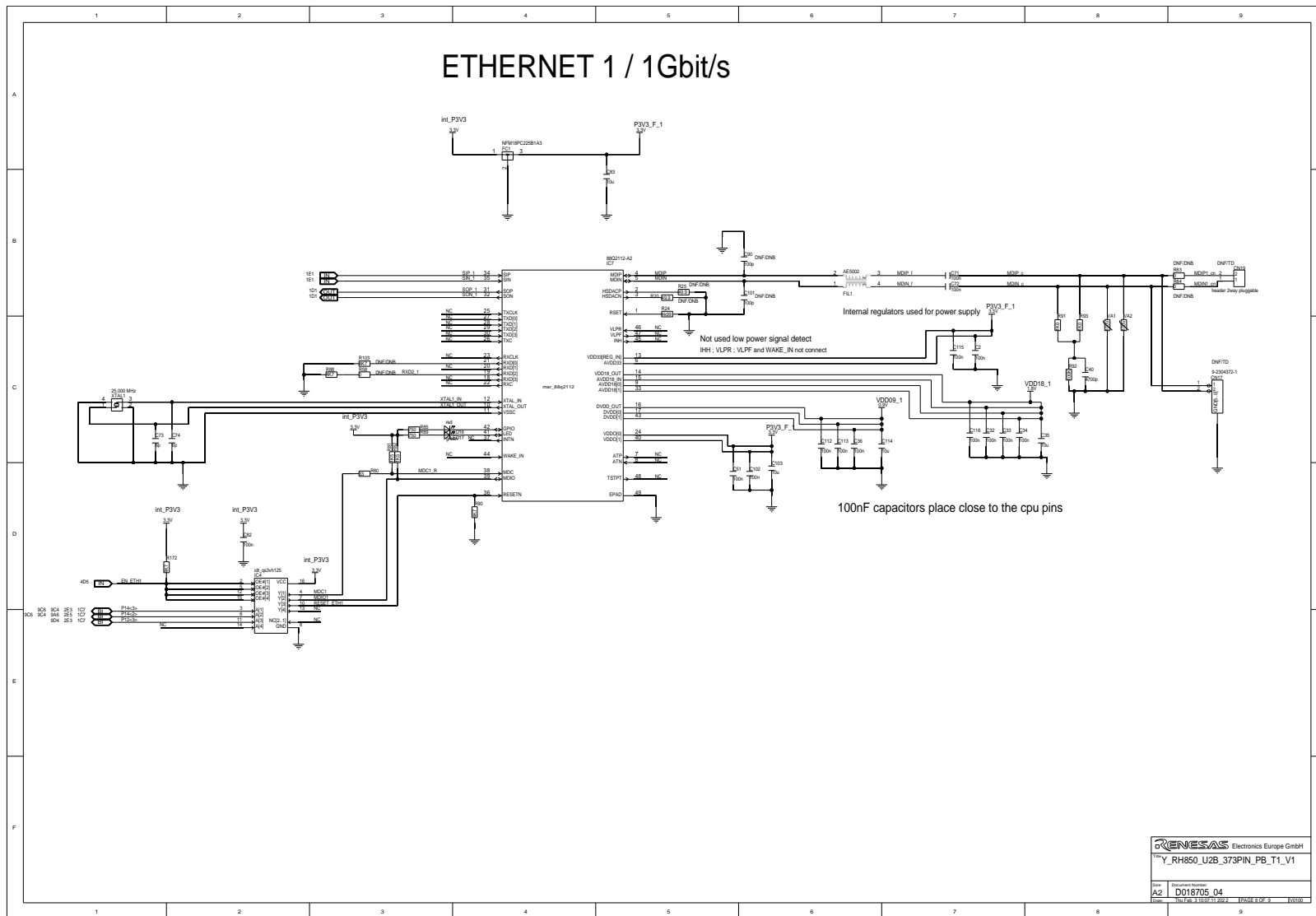
RENESAS Electronics Europe GmbH
 Part No. R01Y_RH850_U2B_373PIN_PB_T1_V1
 Date: 2023.07.05
 Rev: A2
 File: 1101_Fig. 11.1.4 Page 4 of 8 (0/1000)

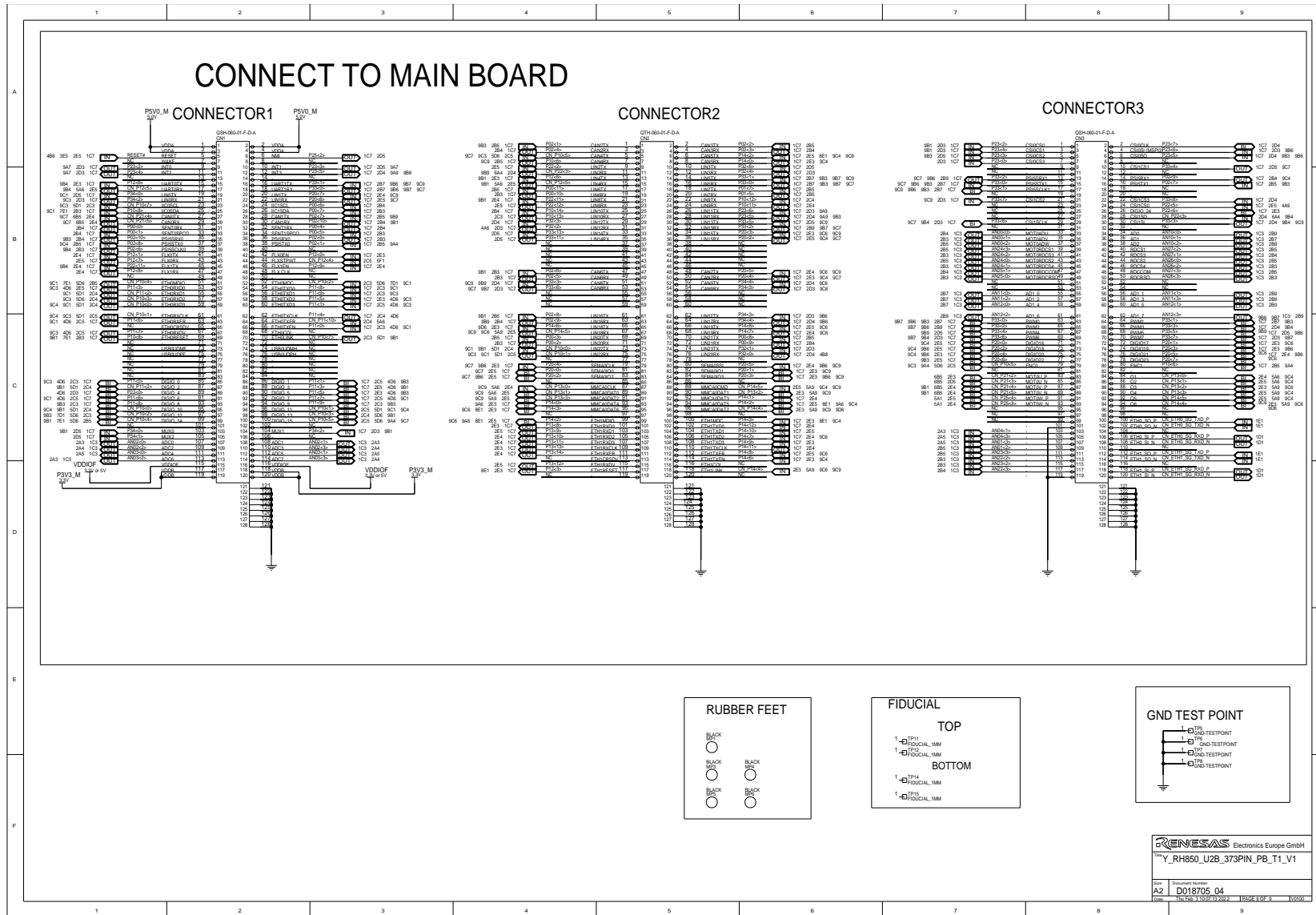


Electronics Europe GmbH	
Y_RH850_U2B_373PIN_PB_T1_V1	
Rev.	D018705_04
Date:	19/11/20 13:00:07 (2020) PAGE 5 OF 9 P0009



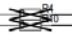






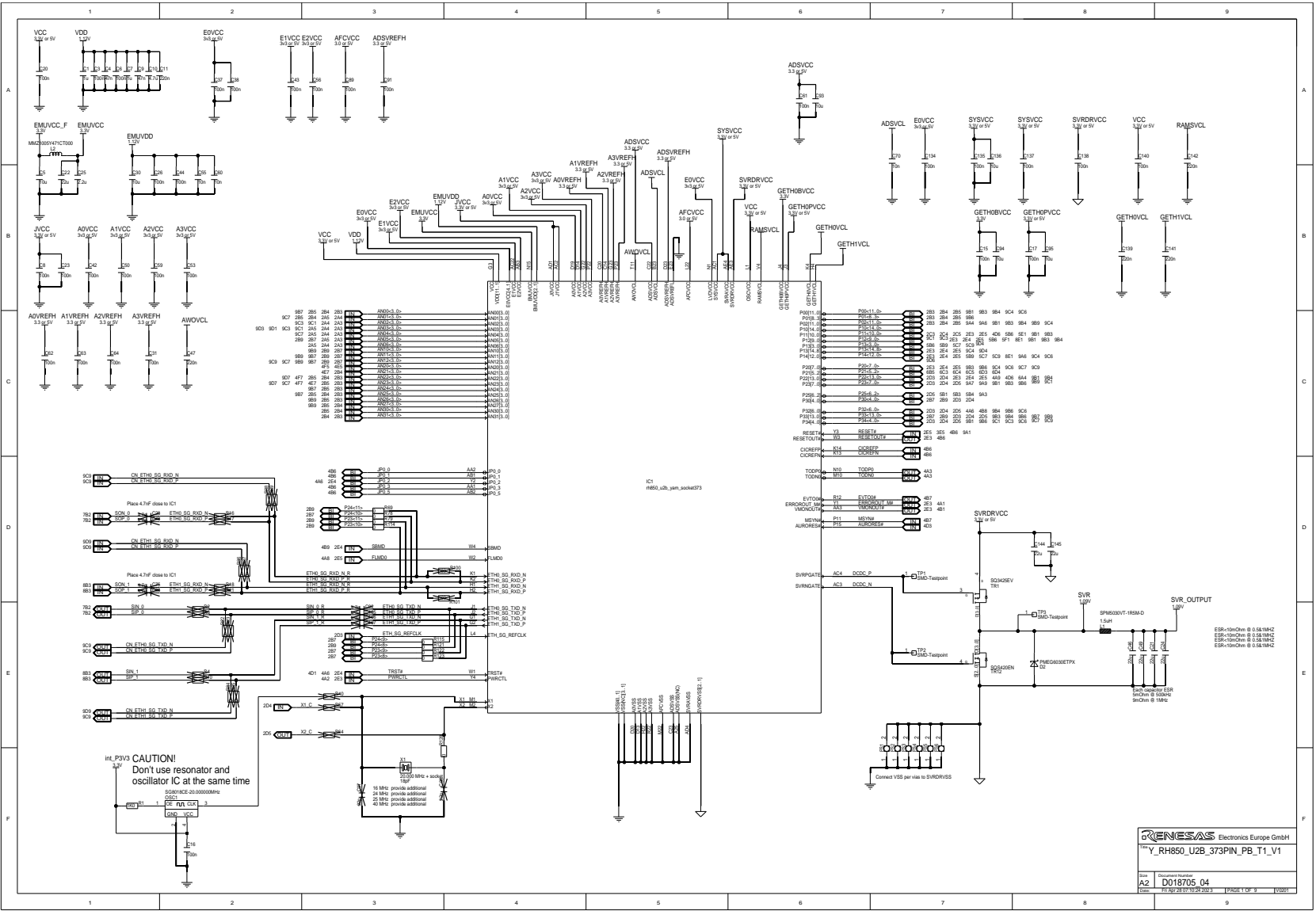
11.2 Board Version D018705_06_V02

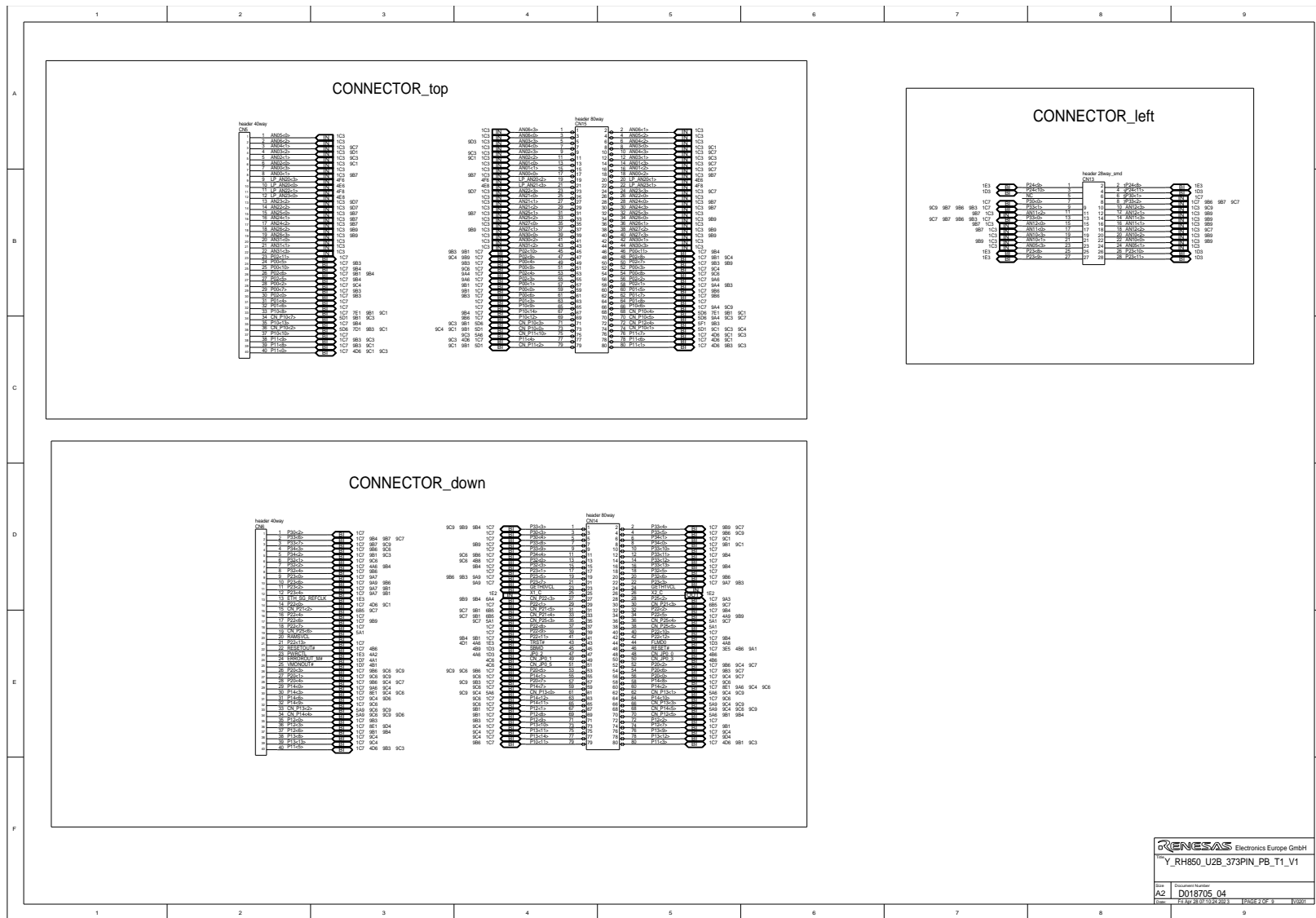
Not all components shown in the schematic are populated in production.

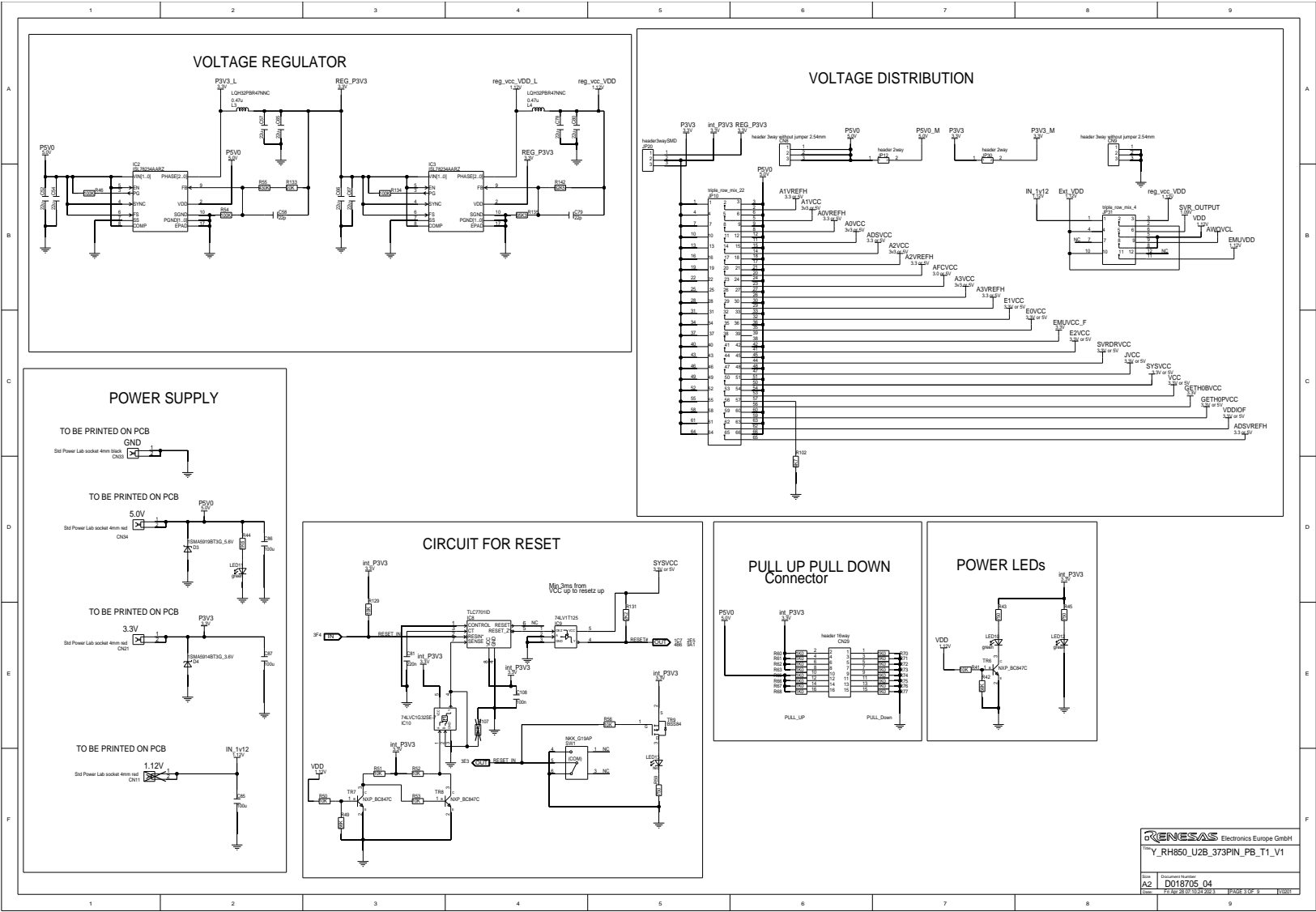
Components, which are not populated, are crossed out in the schematic like this: 

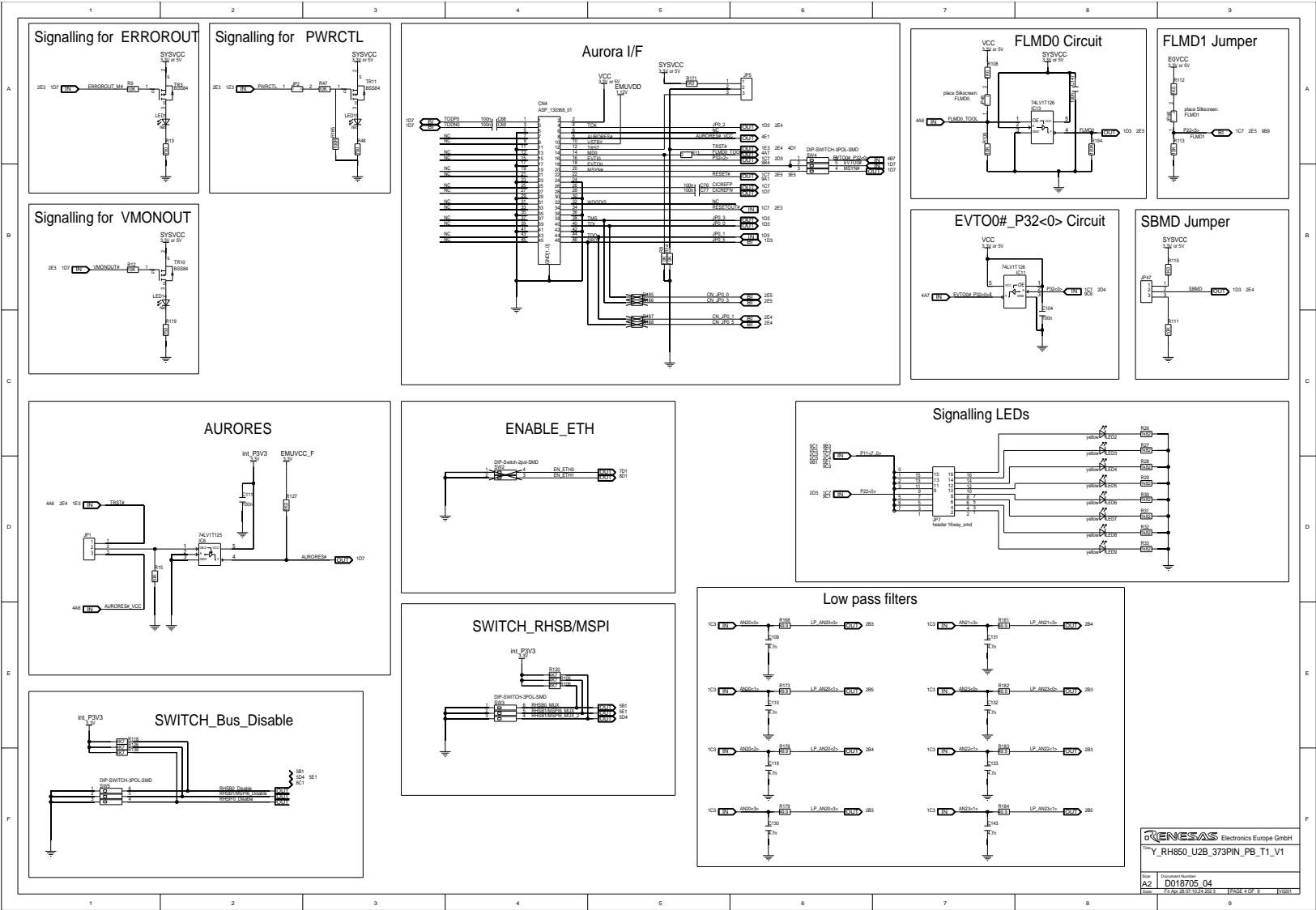
The following components, which are described in the schematics, are provided with the board but not mounted on the board upon delivery. These components have no special marking in the schematics other than that they are crossed out as not assembled components.

- 1 Hirschmann 4 mm power lab sockets, red for CN11
- Four resonators HC49 (16/24/25/40 MHz)
- 47 jumpers, 2.54 mm, black
- Resistors 100 Ohm: R124, R162, R164, R167, R169, R170, R174, R175, R201, R204, R205



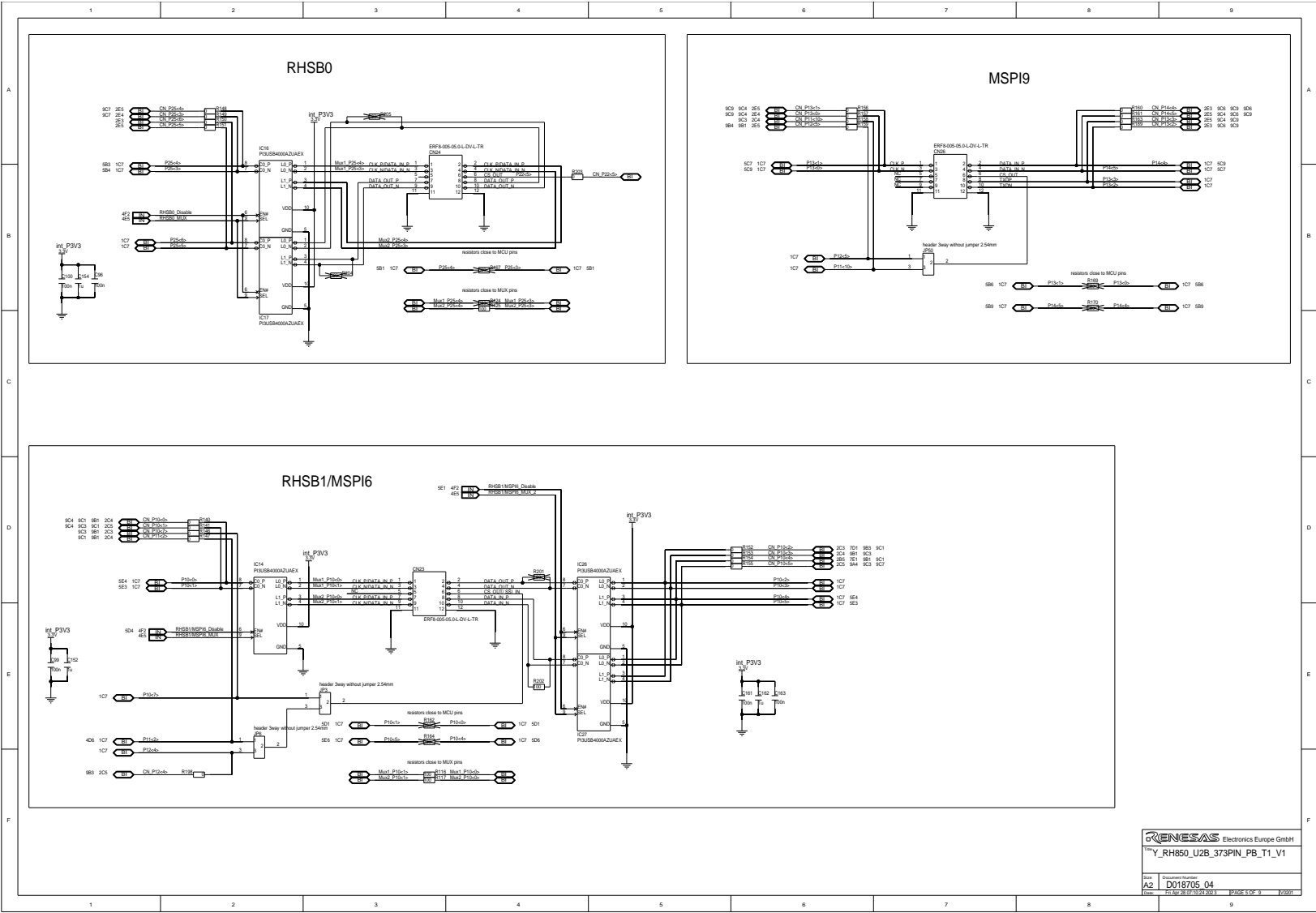


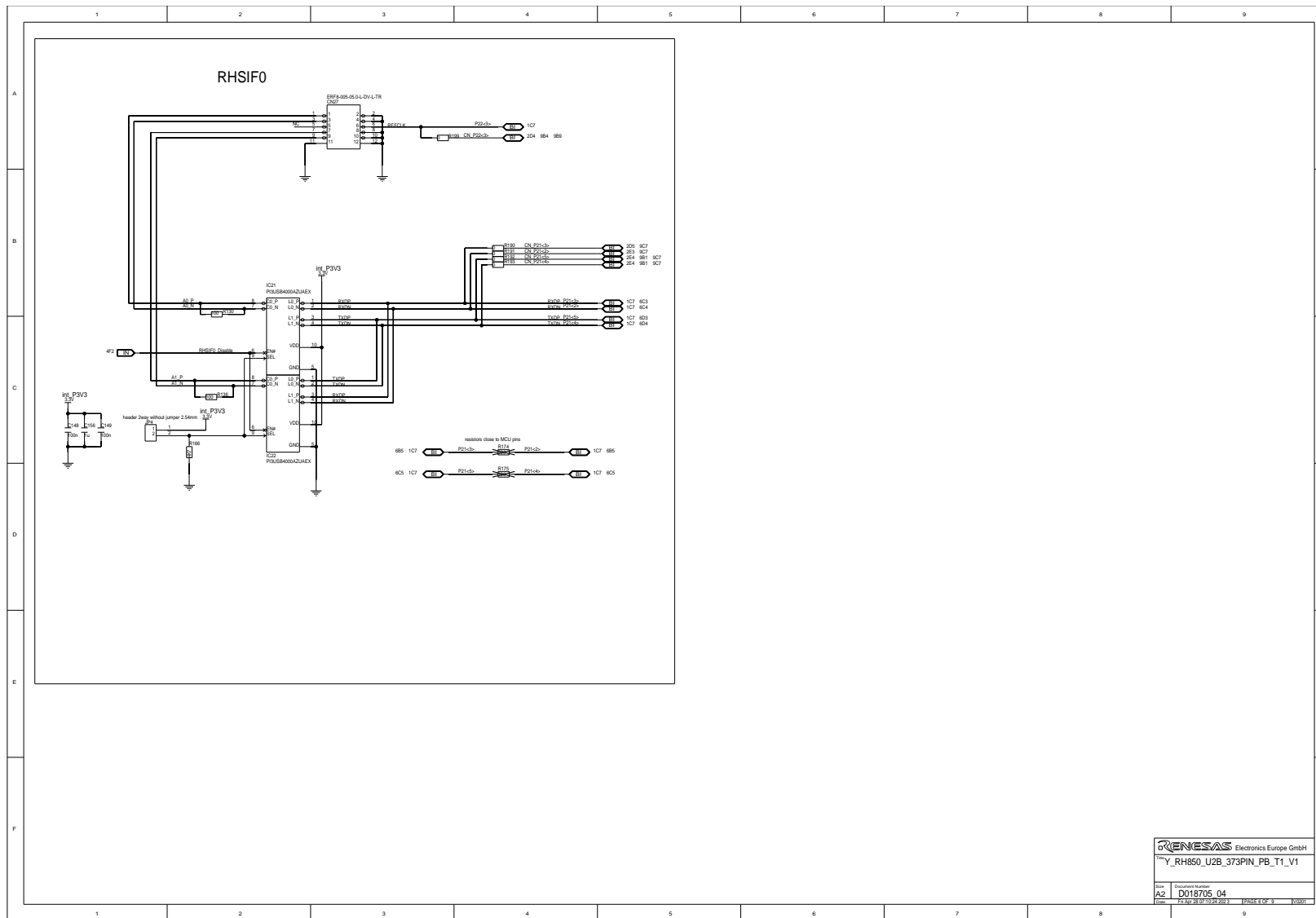


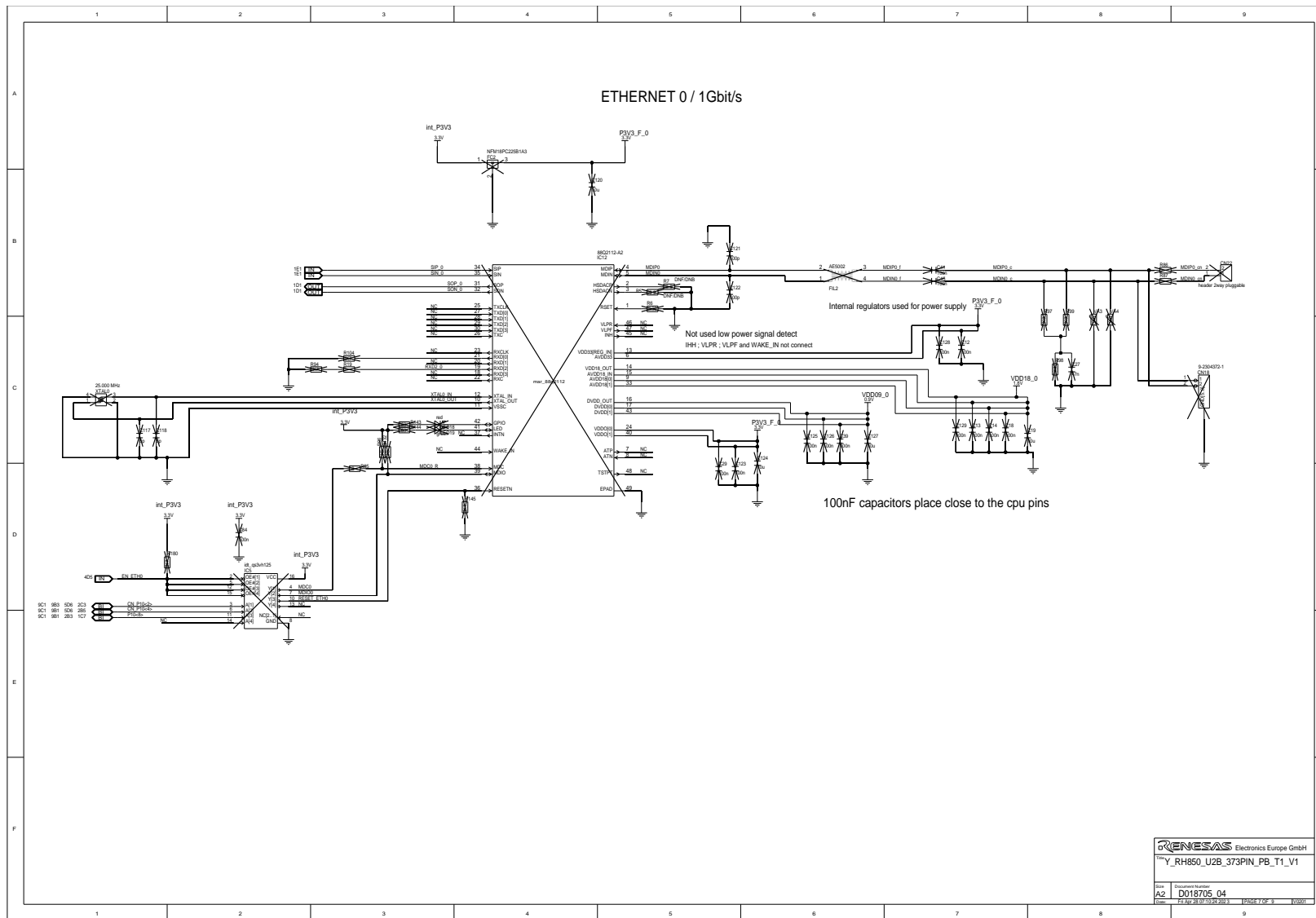


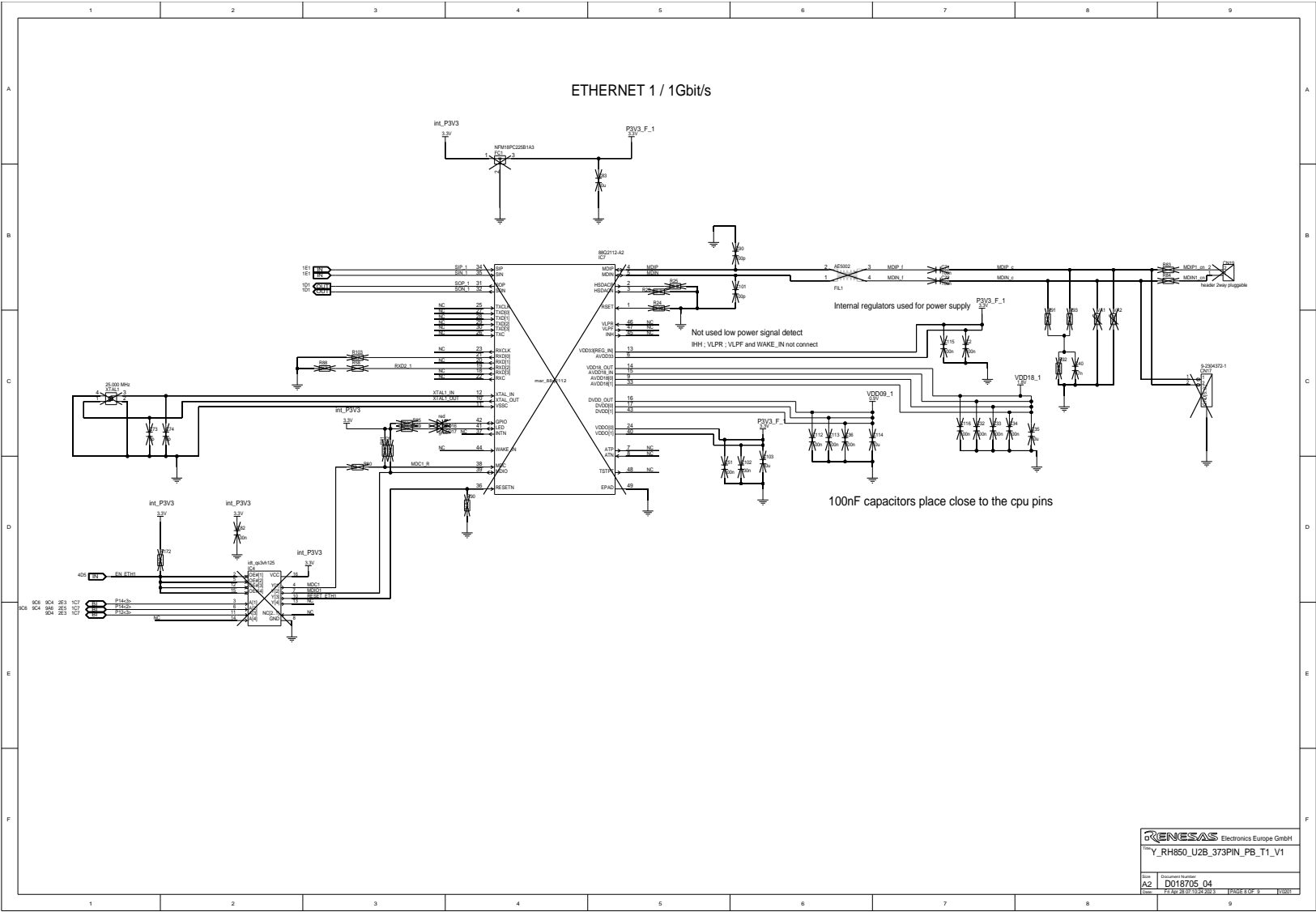
Renesas Electronics Europe GmbH
 Y_RH850_U2B_373PIN_PB_T1_V1
 Rev. A2
 Document Number: D018705_04
 Date: 11/2023

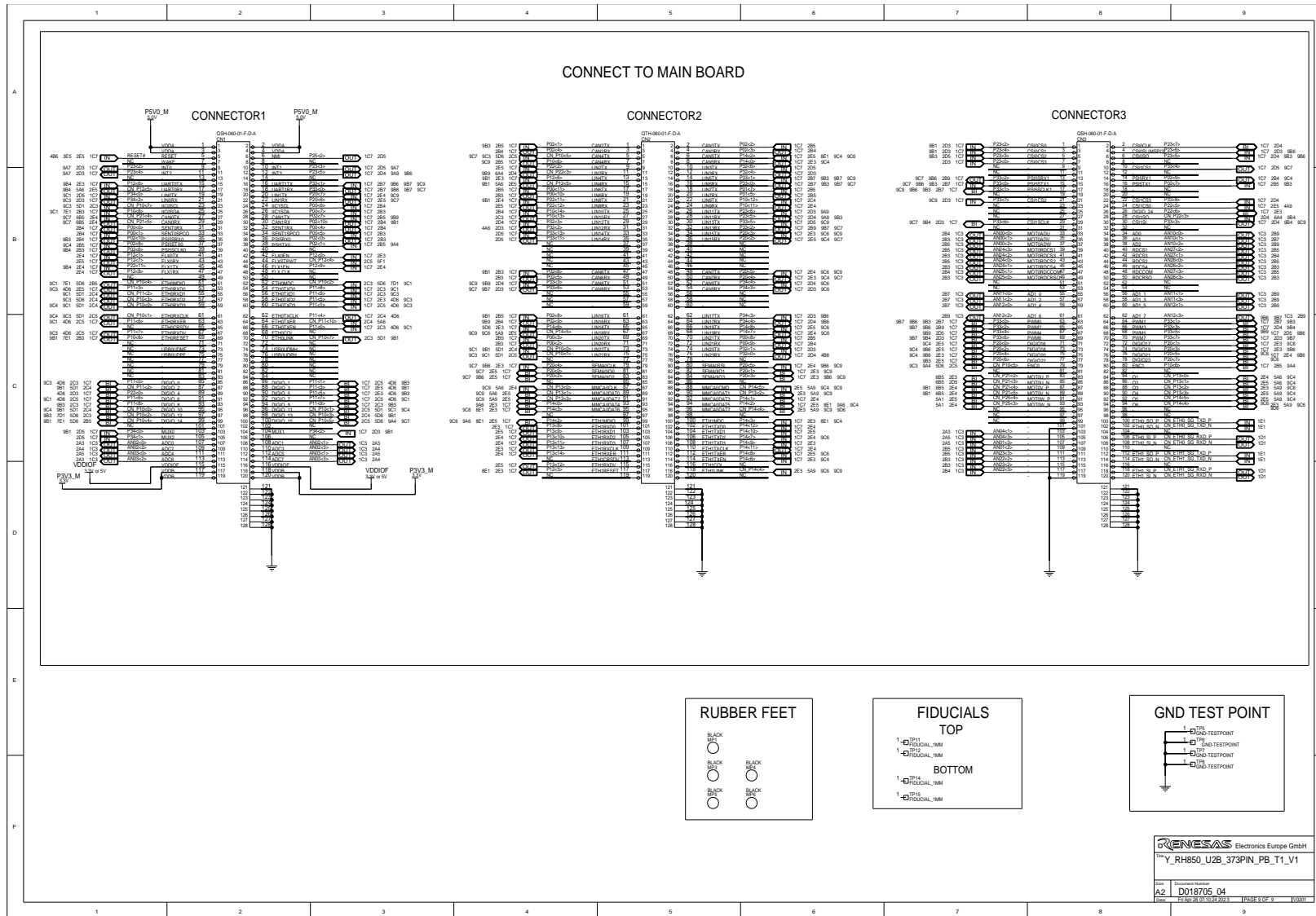
11.2.5 Page 5











Revision History

Rev.	Date	Description	
		Page	Summary
V2.02	2023-10-26	19, 69	Added precaution about power on of piggyback board without a microcontroller mounted. Caution in <i>3.1 Board Power Connection</i> . <i>9.2 Power On Piggyback Board Without RH850 Microcontroller installed</i>
V2.01	2023-08-02	82 - 90	Updated schematics to version V2.01.
V2.00	2023-04-28	–	Revised hardware
V1.00	2022-05-18	–	Initial release

RH850/U2B 373pin Piggyback Board V1 User's Manual: Piggyback Board

Publication Date: Rev.2.02 October 26, 2023

Published by: Renesas Electronics Corporation

**SALES OFFICES****Renesas Electronics Corporation**<http://www.renesas.com>

Refer to "http://www.renesas.com/" for the latest and detailed information.

Renesas Electronics America Inc.1001 Murphy Ranch Road, Milpitas, CA 95035, U.S.A.
Tel: +1-408-432-8888, Fax: +1-408-434-5351**Renesas Electronics Canada Limited**9251 Yonge Street, Suite 8309 Richmond Hill, Ontario Canada L4C 9T3
Tel: +1-905-237-2004**Renesas Electronics Europe Limited**Dukes Meadow, Millboard Road, Bourne End, Buckinghamshire, SL8 5FH, U.K
Tel: +44-1628-651-700, Fax: +44-1628-651-804**Renesas Electronics Europe GmbH**Arcadiastrasse 10, 40472 Düsseldorf, Germany
Tel: +49-211-6503-0, Fax: +49-211-6503-1327**Renesas Electronics (China) Co., Ltd.**Room 1709 Quantum Plaza, No.27 ZhichunLu, Haidian District, Beijing, 100191 P. R. China
Tel: +86-10-8235-1155, Fax: +86-10-8235-7679**Renesas Electronics (Shanghai) Co., Ltd.**Unit 301, Tower A, Central Towers, 555 Langao Road, Putuo District, Shanghai, 200333 P. R. China
Tel: +86-21-2226-0888, Fax: +86-21-2226-0999**Renesas Electronics Hong Kong Limited**Unit 1601-1611, 16/F., Tower 2, Grand Century Place, 193 Prince Edward Road West, Mongkok, Kowloon, Hong Kong
Tel: +852-2265-6688, Fax: +852 2886-9022**Renesas Electronics Taiwan Co., Ltd.**13F, No. 363, Fu Shing North Road, Taipei 10543, Taiwan
Tel: +886-2-8175-9600, Fax: +886 2-8175-9670**Renesas Electronics Singapore Pte. Ltd.**80 Bendemeer Road, Unit #06-02 Hyflux Innovation Centre, Singapore 339949
Tel: +65-6213-0200, Fax: +65-6213-0300**Renesas Electronics Malaysia Sdn.Bhd.**Unit 1207, Block B, Menara Amcorp, Amcorp Trade Centre, No. 18, Jln Persiaran Barat, 46050 Petaling Jaya, Selangor Darul Ehsan, Malaysia
Tel: +60-3-7955-9390, Fax: +60-3-7955-9510**Renesas Electronics India Pvt. Ltd.**No.777C, 100 Feet Road, HAL 2nd Stage, Indiranagar, Bangalore 560 038, India
Tel: +91-80-67208700, Fax: +91-80-67208777**Renesas Electronics Korea Co., Ltd.**17F, KAMCO Yangjae Tower, 262, Gangnam-daero, Gangnam-gu, Seoul, 06265 Korea
Tel: +82-2-558-3737, Fax: +82-2-558-5338

RH850/U2B 373pin



Renesas Electronics Corporation

R20UT5071ED0202