

RTKA236105DE0010BU

RAA236105 Evaluation Board

The evaluation board (RTKA236105DE0010BU) is a platform for evaluating the functionality and performance of the RAA236105 regulator in DFN packages. The RAA236105 is an highly efficient and integrated synchronous buck-boost regulator featuring an ultra-low input quiescent current of 130nA and down to <22nA when disabled. The evaluation board provides access to the regulator switching node, inductor current, input current, input/output voltages, and other control lines.

Features

- Small and compact design.
- Connectors, test points, and jumpers for easy probing.

Specifications

The board is designed to operate at the following operating conditions:

- Input voltage range: 1.8V to 5.5V
- Programmable output voltage range of 1.8V to 5.0V and selectable forced bypass power saving mode
- Up to 400mA output current ($V_{IN} > 2.5V$, $V_{OUT} = 3.3V$)
- Operating temperature range: -40°C to +85°C

Board Contents

- EVB PCB assembly

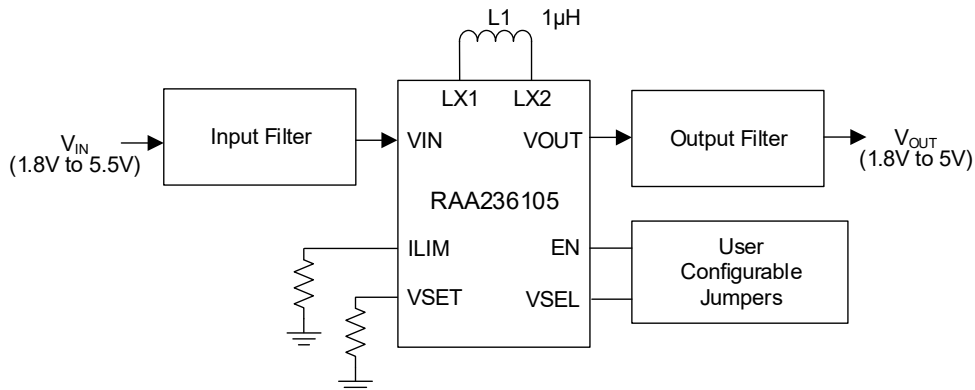


Figure 1. EVB Block Diagram

Contents

1. Functional Description	3
1.1 Operational Characteristics	4
1.2 Setup and Configuration	4
1.2.1 Power Supply and Load	4
1.2.2 Pin Reader Option	5
2. Board Design	7
2.1 RTKA236105DE0010BU (DFN)	7
2.1.1 Board Image	7
2.1.2 Schematic Diagram	8
2.1.3 Bill of Materials	10
2.1.4 Board Layout	13
2.2 Layout Guidelines	15
3. Ordering Information	15
4. Revision History	15

1. Functional Description

The evaluation board provides a default output voltage of 3.3V at startup, which then can be reconfigured using different values of external resistors through the pin reader as described in the later section. Special pin posts are provided for connecting the input supply and load, along with S+/- pins which provide voltage sense points close to the IC pins for accurate measurements. The evaluation board is shown in [Figure 4](#). Pin connectors, test points, and jumpers along with their descriptions are listed in [Table 1](#).

Table 1. Description of Connectors, Test Points and Jumpers for RTKA236100DE0010BU

Test Points	Description
TP1, TP4 (VIN, GND)	Input supply power connections.
TP2, TP3 (S+, S-)	Kelvin connection for input voltage measurement.
TP5, TP8 (VOUT, GND)	Output voltage (load) power connections.
TP6, TP7 (S+, S-)	Kelvin connection for output voltage measurement.
TP28	BYPASS Input (Buck-boost forced bypass control input)
TP9	VSEL input pin (Fast DVS input to select different targets for the output voltage).
TP10	EN input pin (Active high device enable input).
TP12, TP14	SCL and SDA I ² C bi-directional serial data
TP13 and TP24	I ² C High side and low side voltages HV_SUPPLY and LV_SUPPLY
TP19, TP22	SUPPLY_LOAD and PGND_LOAD (connection pins for the transient circuit power rail)
TP15	V_EXT (connection pin for external supply for when an external pullup is selected).
TP21	+IN (positive pin connection for function generator, to control the transient circuit).
TP20	Connection point for load transient circuit
TP23	VOUT coaxial pin connection for lower noise output voltage measurement.
J1, J2	LX1 and LX2 (switching nodes monitoring test points for input and output sides of the inductor respectively (buck and boost nodes respectively).
J3	Header connector for monitoring SCL, VSEL, and SDA
J4	Mini USB I ² C dongle connector (for use with ISLUSBMINIEVAL1Z).
J6	Jumper connection/configuration for VSEL to VPULLUP or to GND
J7	Jumper connection/configuration for EN to VPULLUP or to GND
J8	Jumper connection/configuration for VPULLUP to VIN or V_EXT
J22	Jumper connection/configuration for BYPASS to VPULLUP or GND
J21	Header pin connection for +IN and GND.
J17	Connects SCL to SCL_LV (open)
J18	Connects SDA to SDA_LV (open)
JP1	Connects SCL to a pull-down resistor
JP2	Connects SDA to a pull-down resistor
TP16, TP17, TP18, TP25, TP26, TP27	Supplementary ground plane (GND) connections

Note: The DFN Package provides an exposed pad to optimize thermal performance, which must be soldered to the PCB ground plane.

1.1 Operational Characteristics

The input voltage range of the evaluation board, which matches the RAA236105 device, is 1.8V to 5.5V. The output voltage range is adjustable from 1.8V to 5.0V. The maximum load that can be applied is 400mA, which is not achievable at all input/output voltage conditions. The corresponding input/output operating load range is shown in Figure 2.

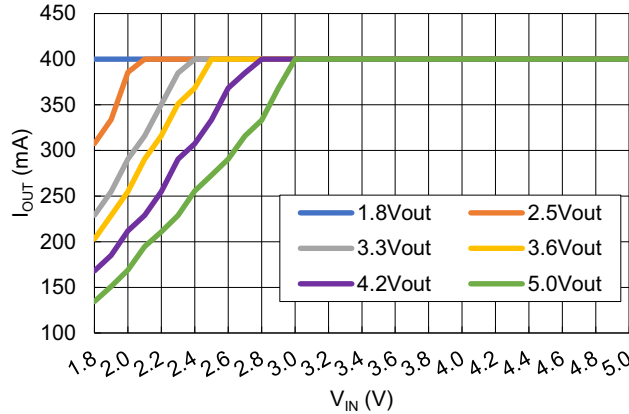


Figure 2. Input/Output operating load range

The operating ambient temperature range of the boards is -40°C to +85°C.

1.2 Setup and Configuration

1.2.1 Power Supply and Load

1. Connect a power supply to VIN (TP1) and GND (TP4), and set the voltage to 3.6V. Keep the power supplies off until all connections are complete.
2. If using an external power supply for the pull-up voltage, connect a power supply to V_EXT (TP15) and GND (TP27), and set the voltage to 1.8V. Ensure J8 is set to the upper position in this case.
3. If using the load transient circuit, connect a power supply to SUPPLY_LOAD (TP19) and PGND_LOAD (TP22), and set the voltage to 5.0V.
4. As a precaution, set current limits on the power supplies. For example: VIN (1A), V_EXT (100mA), and SUPPLY_LOAD (1A).
5. Connect an electronic load to VOUT (TP5) and GND (TP8), and set the load to constant current at 0A.
6. Connect DMM or Oscilloscope probes to monitor the input voltage (S+/S-; TP2/TP3), output voltage (S+/S-; TP6/TP7 - or VOUT; TP23), and inductor switching nodes (LX1/LX2; J1/J2).
7. Turn on the power supplies in any sequence.

At power-on with a supply voltage of 3.6V, the expected power up waveform is shown in Figure 3.

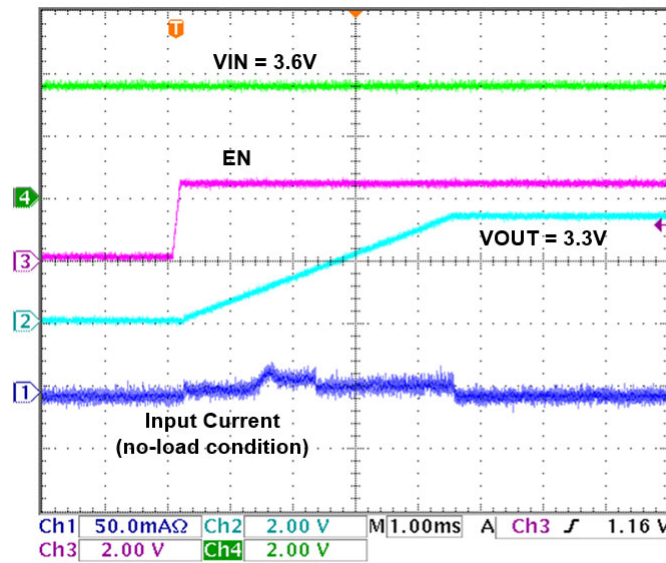


Figure 3. Startup Illustration Waveform

1.2.2 Pin Reader Option

The start up voltage of this option is determined by the external resistors R7 on ILIM pin (Pin 4) and R5 on VSET pin (Pin 5). The output voltage and input current limit can be changed by changing the values of this 2 resistors.

The DVS capability is unavailable as only one pin sets the output voltage. The resistance reading on ILIM determines the input current limit and the output voltage in conjunction with the resistance reading on VSET. The resistance on VSET determines the precise output voltage target in 100mV steps. In contrast, the resistance on ILIM determines whether the output is on the lower or upper half of the output range. The following tables provide the complete set of decoded combinations.

Table 2. Pin Reader Resistor (R_{EXT}) Decoding for Current Limit

Resistance (R7) on I _{LIM} (Ω)	Input Current Limit (mA)
0k	Disabled
3.01k	1
6.81k	2
11.5k	5
17.4k	10
24.9k	20
34.0k	50
60.4k	Disabled
76.8k	1
100k	2
127k	5
162k	10
205k	20
261k	50

Table 3. Pin Reader Resistor (R_{EXT}) Decoding for Output Voltage

Resistance on R5 VSET (Ω)	V_{OUT} (V)	
	If resistance on R7 ILIM is between 0k Ω and 34k Ω	If resistance on R7 ILIM is between 60.4k Ω and 261k Ω
0k	1.8	3.4
3.01k	1.9	3.5
6.81k	2.0	3.6
11.5k	2.1	3.7
17.4k	2.2	3.8
24.9k	2.3	3.9
34.0k	2.4	4.0
45.3k	2.5	4.1
60.4k	2.6	4.2
76.8k	2.7	4.3
100k	2.8	4.4
127k	2.9	4.5
162k	3.0	4.6
205k	3.1	4.7
261k	3.2	4.8
332k	3.3	5.0

The pin reader resistors must be selected from the E96 series resistors, which have 1% tolerance. Changing resistance at ILIM/VSET pins after the part has started does not change the input current limit and output voltage as the reading is done only once during startup. There is no option to change output voltage using VSEL for this chip variant.

The USB dongle is not included in the EVAL kit for this variant. Refer to the datasheet for more information.

2. Board Design

2.1 RTKA236105DE0010BU (DFN)

2.1.1 Board Image

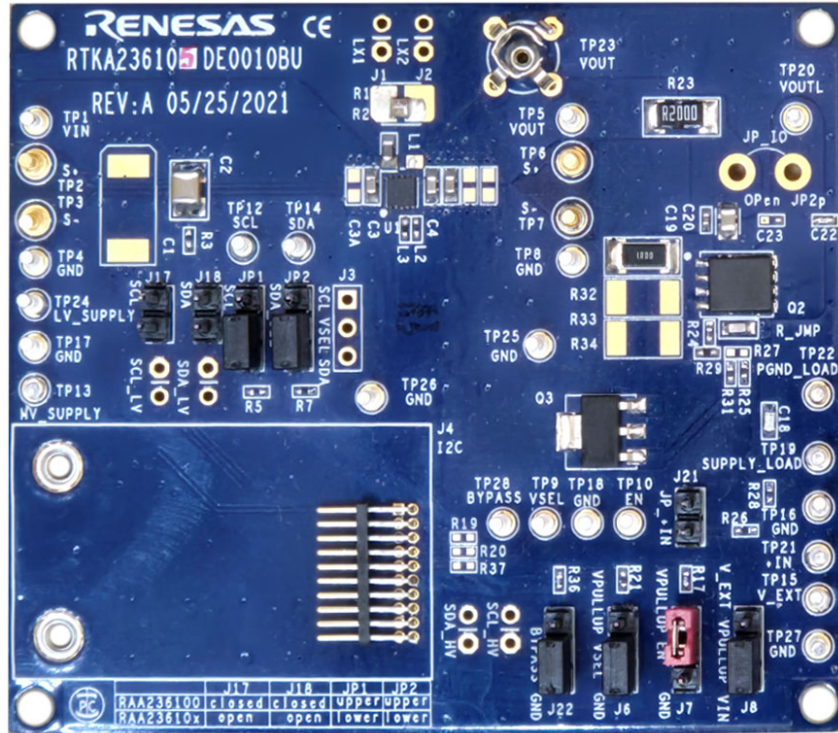


Figure 4. RTKA236105DE0010BU Evaluation board (Top)

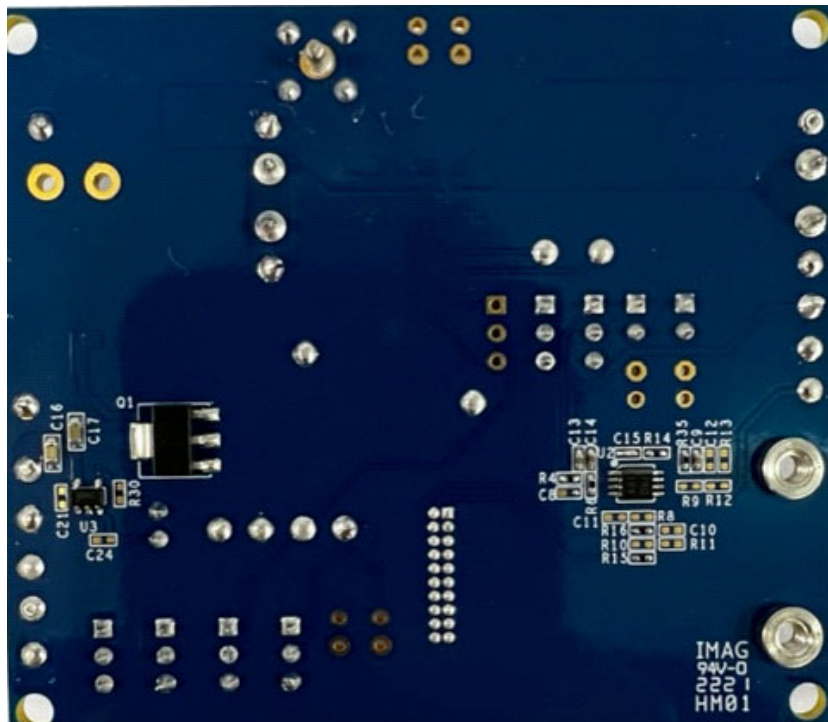


Figure 5. RTKA236105DE0010BU Evaluation board (Bottom)

2.1.2 Schematic Diagram

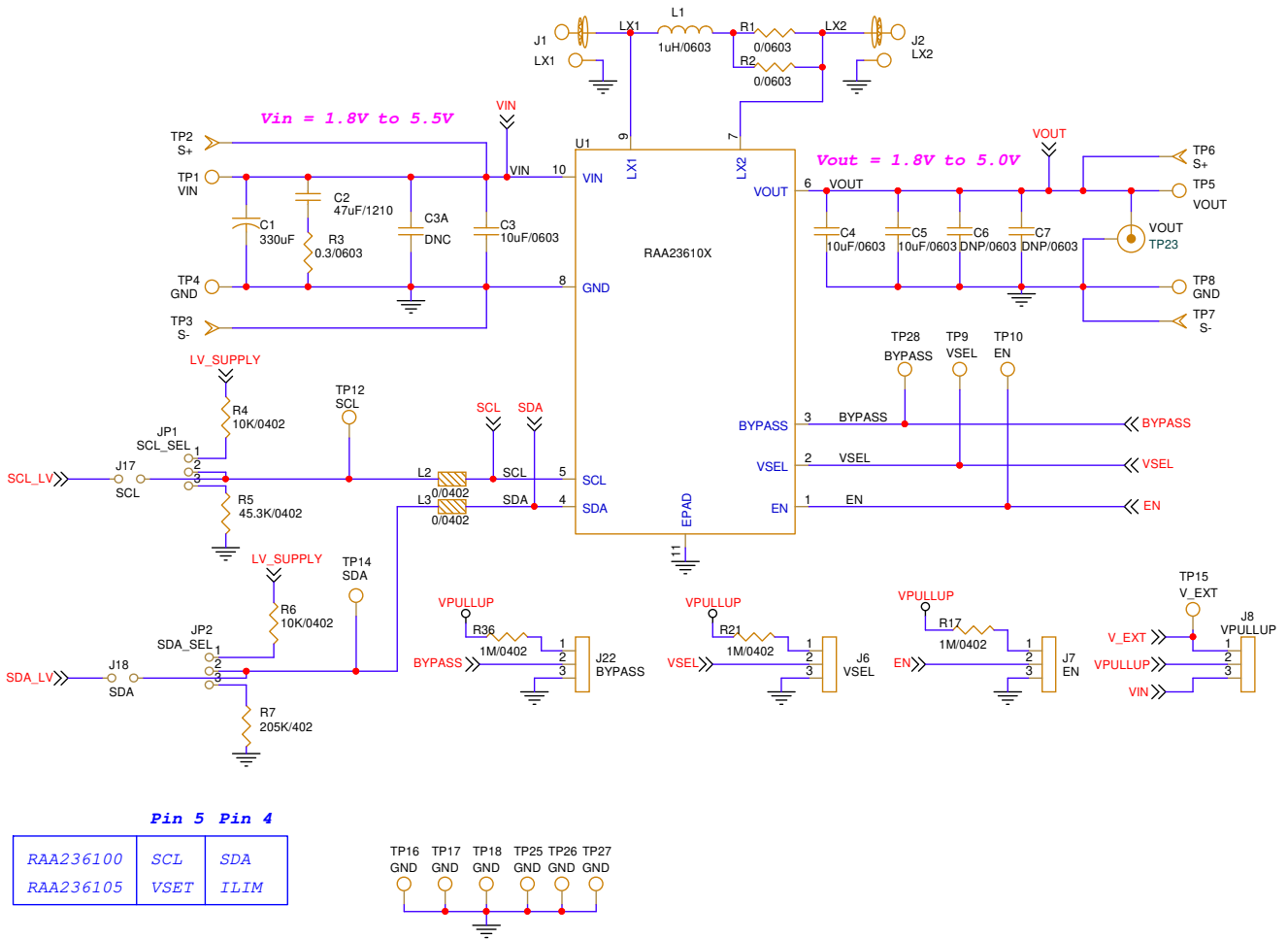


Figure 6. RTKA23610xDE0010BU Schematic - Page 1

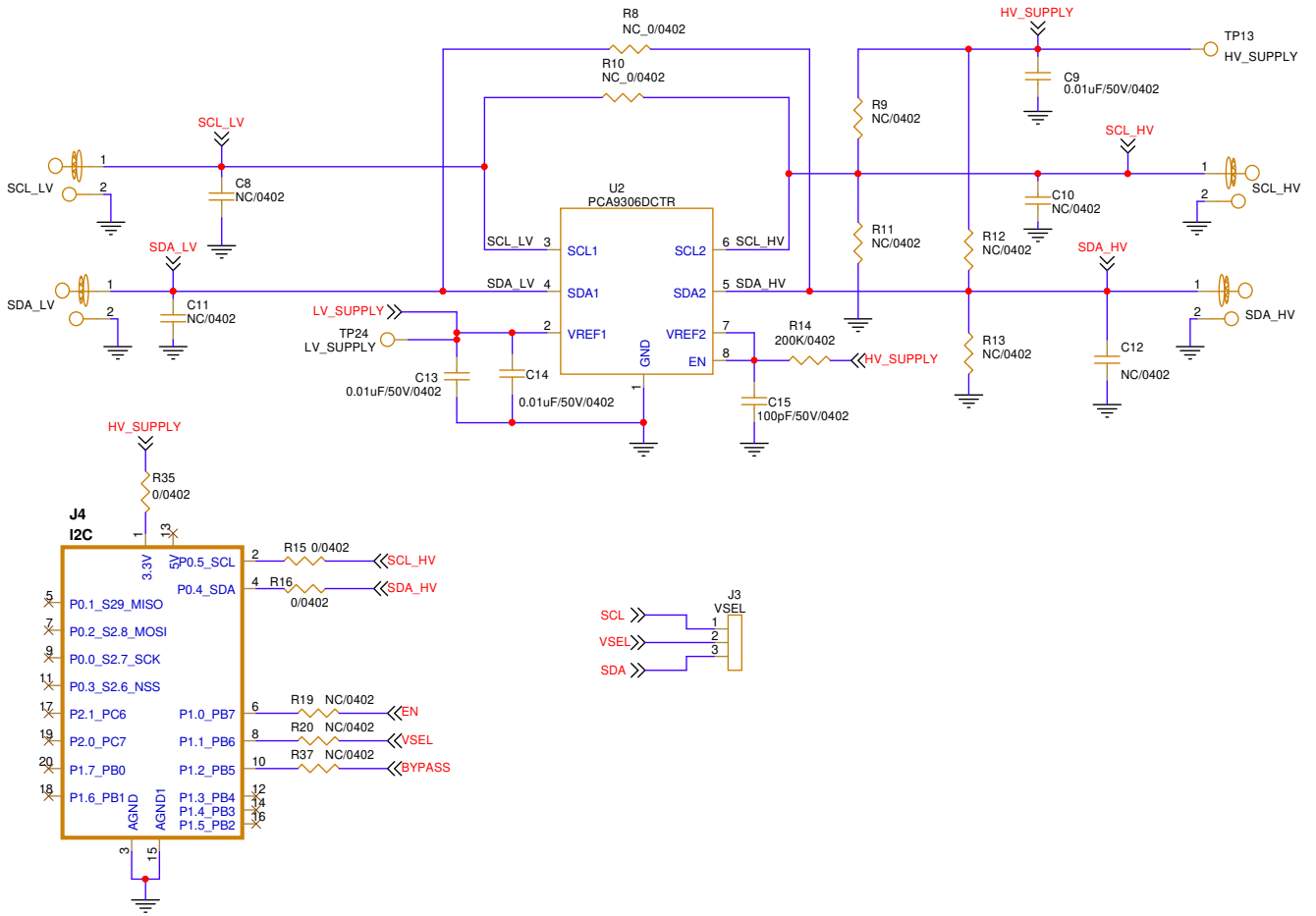


Figure 7. RTKA23610xDE0010BU Schematic - Page 2 (For RAA236100 use only)

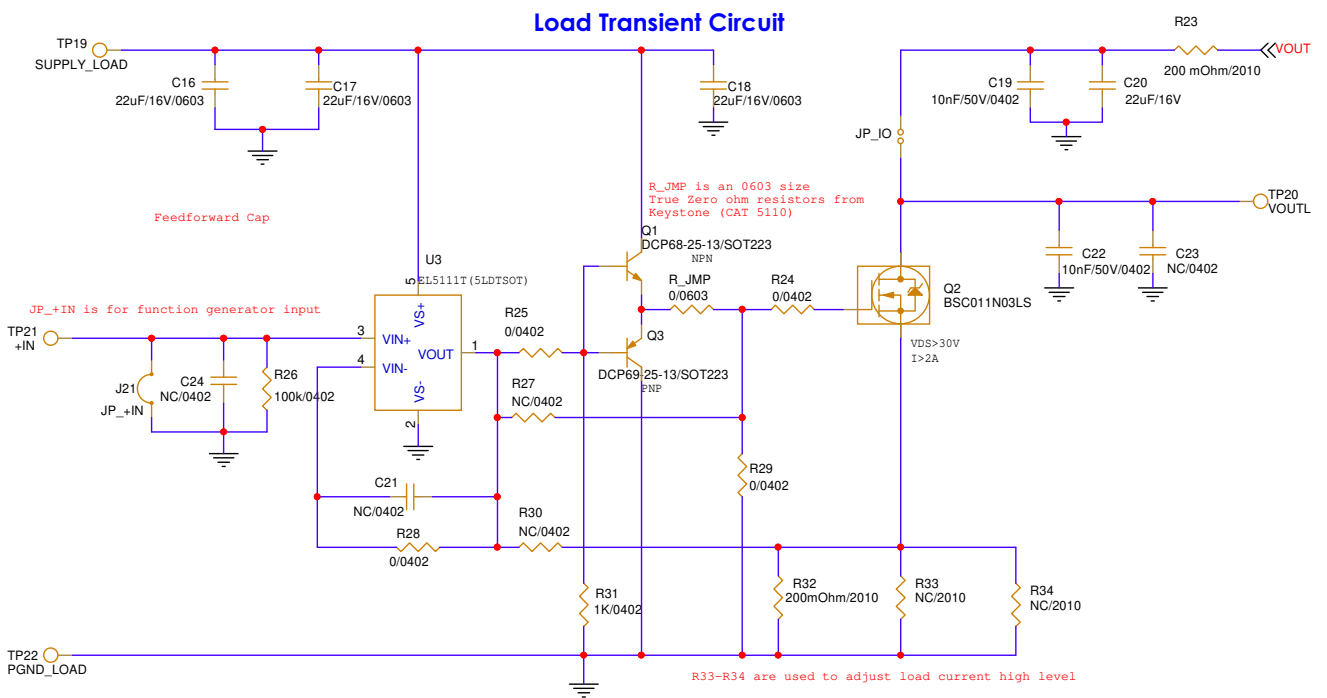


Figure 8. RTKA23610xDE0010BU Schematic - Page 3

2.1.3 Bill of Materials

Table 4. Bill of Materials for DFN package evaluation board (RTKA236105DE0010BU)

Qty	Ref	Part/Value	Description	Manufacturer Part Number	Manufacturer
1	C2	47µF/16V/1210	CAP CER 47µF 16V X5R 1210	GRM32ER61C476ME15	Murata
3	C3, C4, C5	10µF/6.3V/0603	10µF ±20% 6.3V Ceramic Capacitor X5R 0603	GRM188R60J106ME47	Murata
5	C9, C13, C14, C19, C22	0.01µF/50V/0402	0.01µF/50V/0402 Ceramic Capacitors	GRM155R71H103MA88D	Murata
1	C15	100pF/50V/0402	100pF/50V/0402 Ceramic Capacitors	GRT1555C1H101JA02D	Murata
3	C16, C17, C18	22µF/10V/0603	22µF/10V/0603 Ceramic Capacitors	GRM188R61A226ME15D	Murata
1	C20	22µF/10V	22µF ±20% 10V Ceramic Capacitor X5R 0805	GRM21BR61A226ME51L	Murata
1	JP1	SCL_SEL	CONN HEADER VERT 3POS 2.54MM	961102-6404-AR	3M
1	JP2	SDA_SEL	CONN HEADER VERT 3POS 2.54MM	961102-6404-AR	3M
2	J6, TP9	VSEL	CONN HEADER VERT 3POS 2.54MM	22284360	3M
1	J4	I2C	CONN HEADER R/A 20POS 1.27MM	M50-3901042	-
2	J7, TP10	EN	CONN HEADER VERT 3POS 2.54MM	22284360	3M
1	J8	VPULLUP	CONN HEADER VERT 3POS 2.54MM	22284360	3M
2	TP12, J17	SCL	CONN HEADER VERT 2POS 2.54MM	22284360	3M
2	TP14, J18	SDA	CONN HEADER VERT 2POS 2.54MM	22284360	3M
1	J21	JP_+IN	CONN HEADER VERT 2POS 2.54MM	22284360	3M
1	J22	BYPASS	CONN HEADER VERT 3POS 2.54MM	22284360	3M
1	L1	1uH/0603	FIXED IND 1UH 1.8A 120 MΩ SMD	DFE18SBN1R0ME0L	Murata
2	L2, L3	0/0402	RES 0Ω 1% 1/4W 0402	Generic	Various
7	R15, R16, R24, R25, R28, R29, R35	0/0402	RES 0Ω 1% 1/4W 0402	Generic	Various
1	Q1	DCP68-25-13/SOT223	DCP68-25-13/SOT223	DCP68-25-13	-
1	Q2	BSC011N03LS	BSC011N03LS	-	-

Table 4. Bill of Materials for DFN package evaluation board (RTKA236105DE0010BU) (Cont.)

Qty	Ref	Part/Value	Description	Manufacturer Part Number	Manufacturer
1	Q3	DCP69-25-13/SOT223	DCP69-25-13/SOT223	DCP69-25-13	-
3	R1, R2, R_JMP	0/0603	RES SMD 0Ω JUMPER 1/2W 0603	5110	-
1	R3	0.3/0603	RES 0.3Ω 1% 1/4W 0603	Generic	Various
2	R4, R6	10K/0402	RES 10kΩ 1% 1/4W 0402	Generic	Various
1	R7	205K/0402	RES 45.3kΩ 1% 1/4W 0402	Generic	Various
2	R8, R10	NC_0/0402	RES DNP/0Ω 1% 1/4W 0402	Generic	Various
1	R14	200K/0402	RES 200kΩ 1% 1/4W 0402	Generic	Various
3	R17, R21, R36	1M/0402	RES 1MΩ 1% 1/4W 0402	Generic	Various
1	R23, R32	200mΩ/2010	RES 0.2Ω 2.0 W 1% 2010 SMD	WSL2010R2000FEA	-
1	R26	100k/0402	RES 100kΩ 1% 1/4W 0402	Generic	Various
1	R31	1K/0402	RES 1kΩ 1% 1/4W 0402	Generic	Various
2	R32	1Ω/2010	RES 1Ω 1% 3/4W 2010	RMCF2010FT1R00DKR-ND	Stackpole
1	TP1	VIN	TERM TURRET SINGLE L = 5.84MM TIN	2110-2-00-80-00-00-07-0	Mill-Max
1	TP2, TP6	S+	TERM TURRET SINGLE L = 5.84MM TIN	575-3156100150000	Mill-Max
2	TP3, TP7	S-	TERM TURRET SINGLE L = 5.84MM TIN	575-3156100150000	Mill-Max
8	TP4, TP8, TP16, TP17, TP18, TP25, TP26, TP27	GND	TERM TURRET SINGLE L = 5.84MM TIN	2110-2-00-80-00-00-07-0	Mill-Max
1	TP5	VOUT	TERM TURRET SINGLE L = 5.84MM TIN	2110-2-00-80-00-00-07-0	Mill-Max
1	TP13	HV_SUPPLY	TERM TURRET SINGLE L = 5.84MM TIN	2110-2-00-80-00-00-07-0	Mill-Max
1	TP15	V_EXT	TERM TURRET SINGLE L = 5.84MM TIN	2110-2-00-80-00-00-07-0	Mill-Max
1	TP19	SUPPLY_LOAD	TERM TURRET SINGLE L = 5.84MM TIN	2110-2-00-80-00-00-07-0	Mill-Max
1	TP20	VOUTL	TERM TURRET SINGLE L = 5.84MM TIN	2110-2-00-80-00-00-07-0	Mill-Max
1	TP21	+IN	TERM TURRET SINGLE L = 5.84MM TIN	2110-2-00-80-00-00-07-0	Mill-Max
1	TP22	PGND_LOAD	TERM TURRET SINGLE L = 5.84MM TIN	2110-2-00-80-00-00-07-0	Mill-Max
1	TP24	LV_SUPPLY	TERM TURRET SINGLE L = 5.84MM TIN	2110-2-00-80-00-00-07-0	Mill-Max
1	TP28	BYPASS	TERM TURRET SINGLE L = 5.84MM TIN	2110-2-00-80-00-00-07-0	Mill-Max

Table 4. Bill of Materials for DFN package evaluation board (RTKA236105DE0010BU) (Cont.)

Qty	Ref	Part/Value	Description	Manufacturer Part Number	Manufacturer
1	U1	RAA236100 or RAA236105	8 pin DFN	RAA2361052GNP#HC5	Renesas
1	U2	PCA9306DCTR	IC TRNSLTR BIDIRECTIONAL SM8	PCA9306DCTR	-
1	U3	EL5111T	IC OPAMP VFB 1 CIRCUIT TSOT23-5	EL5111IWTZ-T7A	Renesas
1	C1	DNP/330µF	DNP	TR3D337K6R3C0100	Vishay Sprague
1	C3A	DNP	DNP	-	-
2	C6, C7	DNP/0603	DNP	-	-
11	R8, R9, R10, R11, R12, R13, R19, R20, R27, R30, R37	DNP/0402	DNP	-	-
7	C8, C10, C11, C12, C21, C23, C24	DNP/0402	DNP	-	-
1	J1	DNP/LX1	DNP	-	-
1	J2	DNP/LX2	DNP	-	-
1	J3	DNP/VSEL	DNP	22284360	3M
1	JP_IO	DNP/ JP2p	DNP	-	-
1	SCL_HV	DNP/SCL_HV	DNP	961102-6404-AR	3M
1	SCL_LV	DNP/SCL_LV	DNP	961102-6404-AR	3M
1	SDA_HV	DNP/SDA_HV	DNP	961102-6404-AR	3M
1	SDA_LV	DNP/SDA_LV	DNP	961102-6404-AR	3M
2	R33, R34	DNP/2010	DNP	-	-
1	TP23	DNP/VOUT	DNP	131-5031-00	Mouser

2.1.4 Board Layout

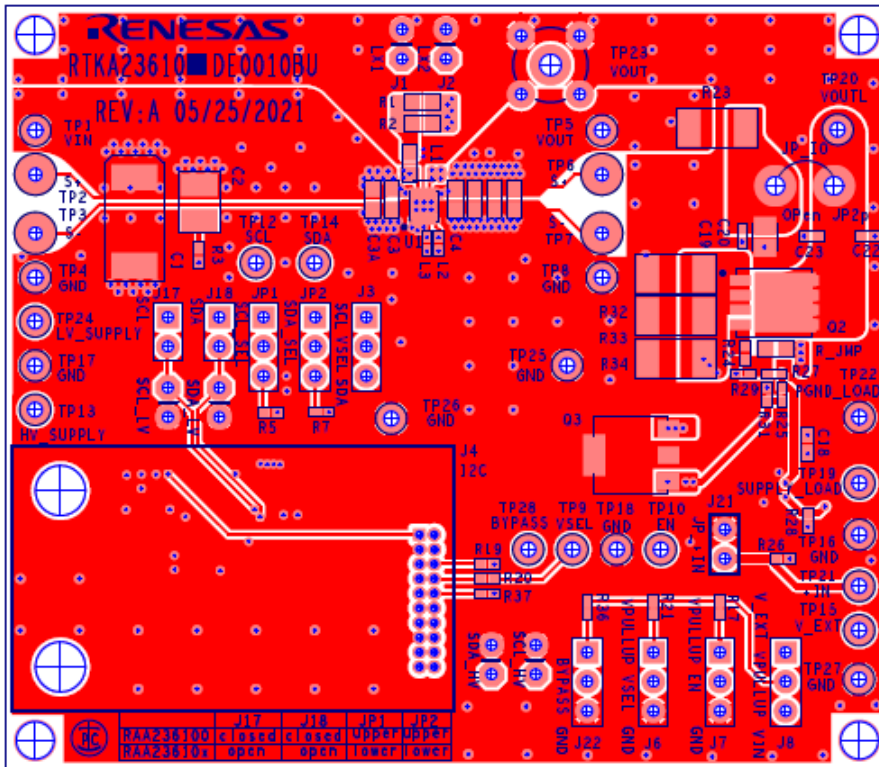


Figure 9. Top Layer Copper

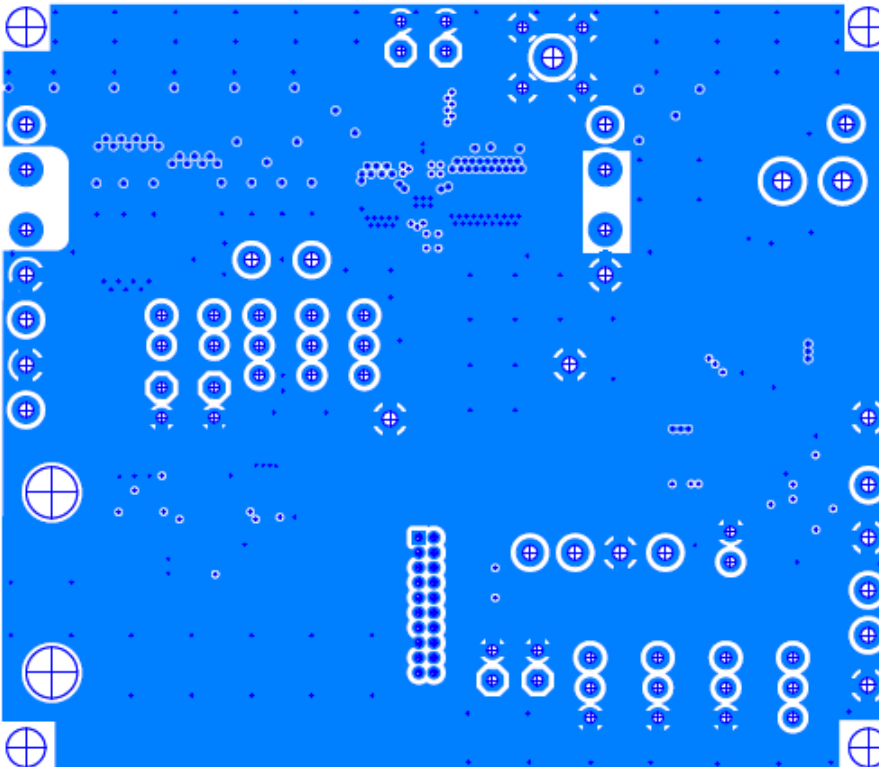


Figure 10. Layer 2 Copper

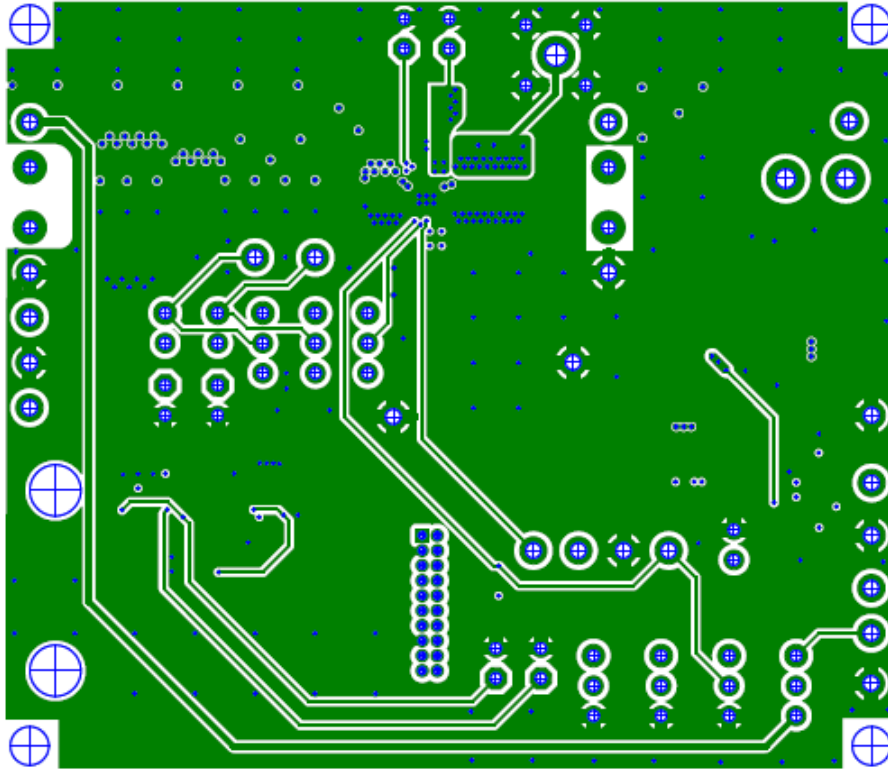


Figure 11. Layer 3 Copper

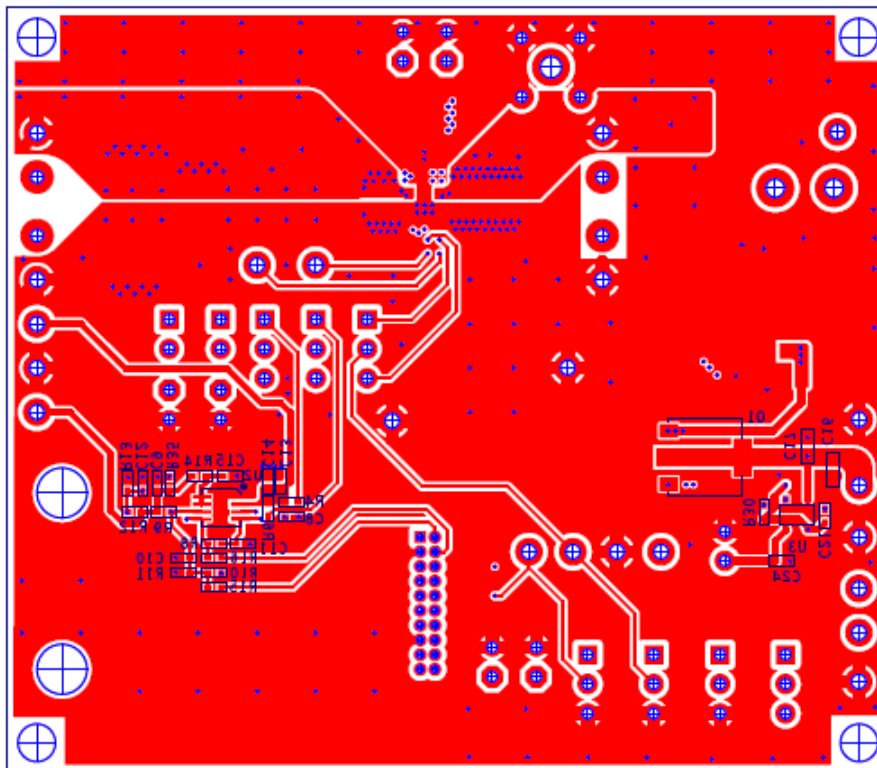


Figure 12. Bottom Layer Copper

2.2 Layout Guidelines

The layout is optimized for excellent electrical and thermal performance. However, when designing a PCB, use the following general practices:

- Position the input and output capacitors close to the IC. Both input and output currents can be discontinuous in a buck-boost converter; therefore, it is important to place both the input and output capacitors as close as possible to reduce loop areas. This reduces radiated EMI emissions.
- Keep the ground connections of the input and output capacitors as short as possible and placed on the component layer to avoid problems caused by high-switching currents flowing through PCB vias. If it is necessary to use the vias, use multiple vias to minimize the effective trace inductance.
- It is strongly advised that the second layer be a clean GND to mitigate problems that arise from long GND traces and subsequent parasitic inductive components. Also, a clean GND shields the intermediate layers from high power traces on the top layer.
- After placing short input and output loops, place an inductor as close as possible to the IC. While being cautious of any EMI concerns, ensure that the switch node traces (from LX1 and LX2 to the inductor) are short and wide.
- Route the EN, VSEL, SDA, and SCL traces away from high energy and high dV/dt traces to prevent mistriggering. These traces can be routed through intermediate layers.

3. Ordering Information

Part Number	Description
RTKA236105DE0010BU	DFN package evaluation board

4. Revision History

Revision	Date	Description
1.01	Nov 14, 2024	Updated input quiescent and Shutdown current.
1.00	Sep 25, 2024	Initial release

IMPORTANT NOTICE AND DISCLAIMER

RENESAS ELECTRONICS CORPORATION AND ITS SUBSIDIARIES (“RENESAS”) PROVIDES TECHNICAL SPECIFICATIONS AND RELIABILITY DATA (INCLUDING DATASHEETS), DESIGN RESOURCES (INCLUDING REFERENCE DESIGNS), APPLICATION OR OTHER DESIGN ADVICE, WEB TOOLS, SAFETY INFORMATION, AND OTHER RESOURCES “AS IS” AND WITH ALL FAULTS, AND DISCLAIMS ALL WARRANTIES, EXPRESS OR IMPLIED, INCLUDING, WITHOUT LIMITATION, ANY IMPLIED WARRANTIES OF MERCHANTABILITY, FITNESS FOR A PARTICULAR PURPOSE, OR NON-INFRINGEMENT OF THIRD-PARTY INTELLECTUAL PROPERTY RIGHTS.

These resources are intended for developers who are designing with Renesas products. You are solely responsible for (1) selecting the appropriate products for your application, (2) designing, validating, and testing your application, and (3) ensuring your application meets applicable standards, and any other safety, security, or other requirements. These resources are subject to change without notice. Renesas grants you permission to use these resources only to develop an application that uses Renesas products. Other reproduction or use of these resources is strictly prohibited. No license is granted to any other Renesas intellectual property or to any third-party intellectual property. Renesas disclaims responsibility for, and you will fully indemnify Renesas and its representatives against, any claims, damages, costs, losses, or liabilities arising from your use of these resources. Renesas' products are provided only subject to Renesas' Terms and Conditions of Sale or other applicable terms agreed to in writing. No use of any Renesas resources expands or otherwise alters any applicable warranties or warranty disclaimers for these products.

(Disclaimer Rev.1.01 Jan 2024)

Corporate Headquarters

TOYOSU FORESIA, 3-2-24 Toyosu,
Koto-ku, Tokyo 135-0061, Japan
www.renesas.com

Trademarks

Renesas and the Renesas logo are trademarks of Renesas Electronics Corporation. All trademarks and registered trademarks are the property of their respective owners.

Contact Information

For further information on a product, technology, the most up-to-date version of a document, or your nearest sales office, please visit www.renesas.com/contact-us/.