
Abstract

This document describes the DIP Adapter SLG46857-AP functionality and provides a quick start guide.

Contents

1. Terms and Definitions	2
2. References.....	2
3. Introduction and Board Overview	3
4. Design Emulation, Programming, and Real-Time Testing	4
5. Board Dimensions	4
6. Schematic Diagrams	5
7. Bill of Materials	6
8. Revision History	7

Figures

Figure 1. DIPA Views.....	3
Figure 2. Light Development Board with DIPA.....	4
Figure 3. Board Assembly Top View Dimensions	4
Figure 4. Board Assembly Side View Dimensions	4
Figure 5. DIPA Board Schematic.....	5

Tables

Table 1. DIPA Pinout Description	3
--	---

1. Terms and Definitions

DIPA	DIP Adapter SLG46857-AP
GPI	General Purpose Input
GPIO	General Purpose Input/Output
IC	Integrated Circuit
SA	Socket Adapter
TP	Test point

2. References

[1] [SLG46857-A](#), Datasheet, Renesas Electronics.

3. Introduction and Board Overview

DIPA is a compact, easy-to-use hardware tool that provides SLG46857-AP IC hardware support for design emulation, programming, and real-time testing. DIPA is controlled by Go Configure Hub software with emulation and IC programming.

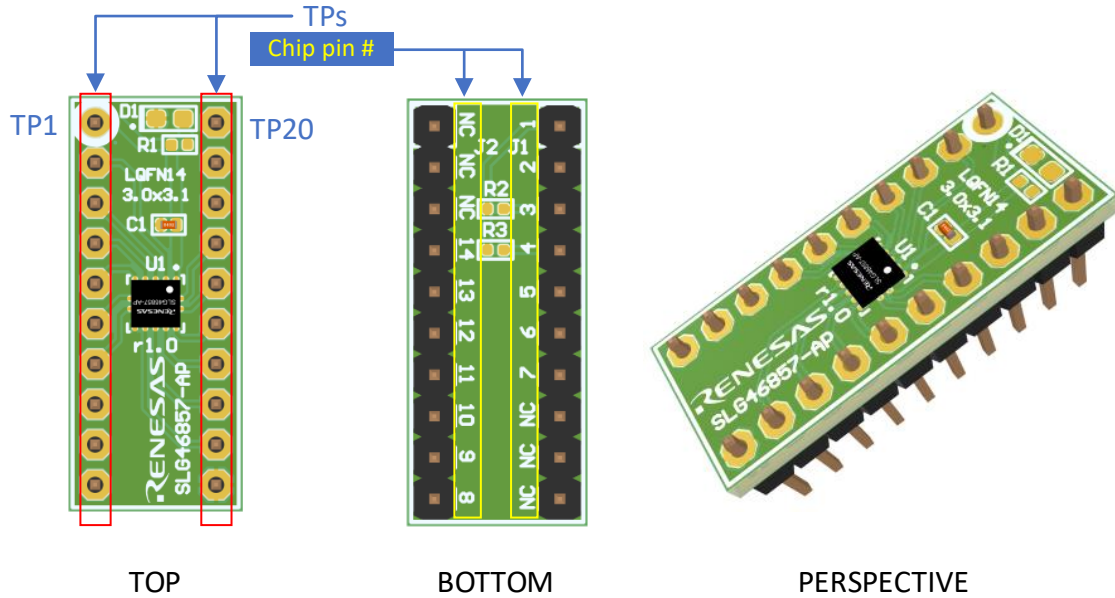


Figure 1. DIPA Views

Table 1. DIPA Pinout Description

Chip pin #	Chip pin name	SA connector J1 pin #	Pin Functions
1	VDD	TP1	Power Supply
2	GPIO	TP2	GPI, SLA_0
3	GPIO0	TP3	GPIO, SCL
4	GPIO1	TP4	GPIO, SDA
5	GPIO2	TP5	GPIO with OE, EXT_Vref0, SLA_1
6	GPIO3	TP6	GPIO with OE
7	GPO0	TP7	GPO, EXT_Vref1
8	GND	TP11	Ground
9	GPIO4	TP12	GPIO with OE, ACMP0_H+, SLA_2
10	GPIO5	TP13	GPIO with OE, ACMP1_H+, SLA_3
11	GPIO6	TP14	GPIO with OE, ACMP2_L+
12	GPIO7	TP15	GPIO with OE, ACMP3_L+
13	GPIO8	TP16	GPIO with OE, Vref0_OUT, TS_OUT
14	GPIO9	TP17	GPIO with OE, Vref1_OUT

4. Design Emulation, Programming, and Real-Time Testing

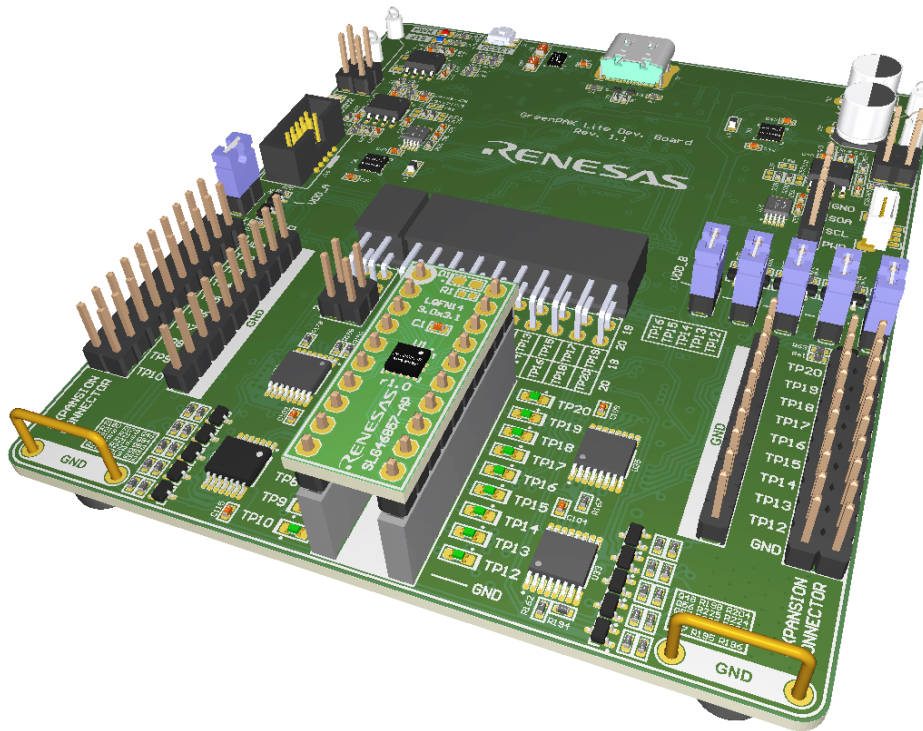


Figure 2. Light Development Board with DIPA

5. Board Dimensions

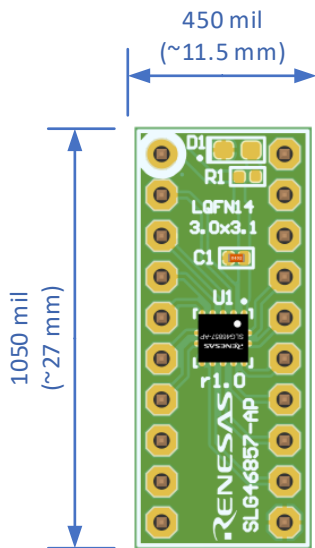


Figure 3. Board Assembly Top View Dimensions

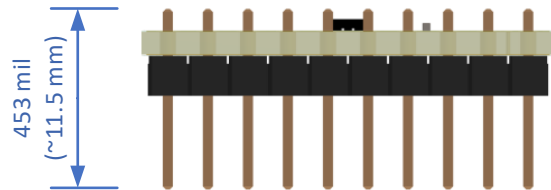


Figure 4. Board Assembly Side View Dimensions

6. Schematic Diagrams

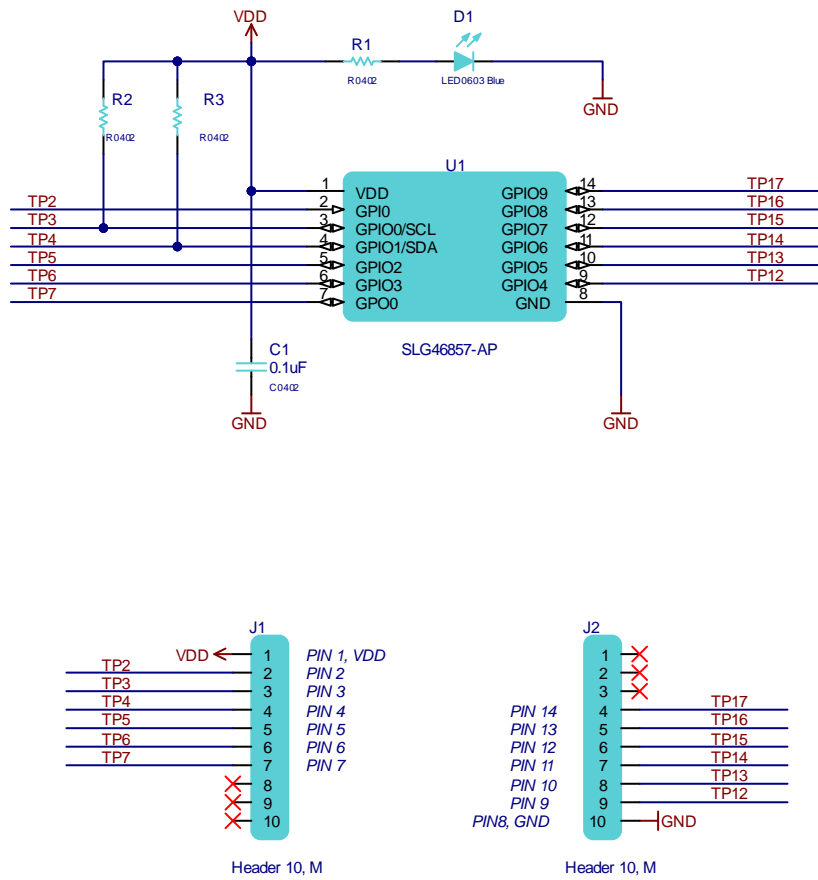


Figure 5. DIPA Board Schematic

Note:

D1, R1 are optional (not mounted by default). Can be used for power presence indication.

R2, R3 are optional (not mounted by default). I²C pull-ups.

7. Bill of Materials

#	Designator	Manufacturer Part Number	Manufacturer 1	Quantity
1	C1	C1005X7R1H104K050BB	TDK	1
2	J1, J2	PH1-10-UA	Adam Equipment	2
3	U1	SLG46857-AP	Renesas Electronics America	1
	Optional			
1	D1	SMD LED 0603	-	1
2	R1	SMD RES 0402 1k	-	1
3	R2, R3	SMD RES 0402 5.1k	-	2

8. Revision History

Revision	Date	Description
1.00	Aug 13, 2022	Initial release

Notice

1. Descriptions of circuits, software and other related information in this document are provided only to illustrate the operation of semiconductor products and application examples. You are fully responsible for the incorporation or any other use of the circuits, software, and information in the design of your product or system. Renesas Electronics disclaims any and all liability for any losses and damages incurred by you or third parties arising from the use of these circuits, software, or information.
2. Renesas Electronics hereby expressly disclaims any warranties against and liability for infringement or any other claims involving patents, copyrights, or other intellectual property rights of third parties, by or arising from the use of Renesas Electronics products or technical information described in this document, including but not limited to, the product data, drawings, charts, programs, algorithms, and application examples.
3. No license, express, implied or otherwise, is granted hereby under any patents, copyrights or other intellectual property rights of Renesas Electronics or others.
4. You shall be responsible for determining what licenses are required from any third parties, and obtaining such licenses for the lawful import, export, manufacture, sales, utilization, distribution or other disposal of any products incorporating Renesas Electronics products, if required.
5. You shall not alter, modify, copy, or reverse engineer any Renesas Electronics product, whether in whole or in part. Renesas Electronics disclaims any and all liability for any losses or damages incurred by you or third parties arising from such alteration, modification, copying or reverse engineering.
6. Renesas Electronics products are classified according to the following two quality grades: "Standard" and "High Quality". The intended applications for each Renesas Electronics product depends on the product's quality grade, as indicated below.
 - "Standard": Computers; office equipment; communications equipment; test and measurement equipment; audio and visual equipment; home electronic appliances; machine tools; personal electronic equipment; industrial robots; etc.
 - "High Quality": Transportation equipment (automobiles, trains, ships, etc.); traffic control (traffic lights); large-scale communication equipment; key financial terminal systems; safety control equipment; etc.
- Unless expressly designated as a high reliability product or a product for harsh environments in a Renesas Electronics data sheet or other Renesas Electronics document, Renesas Electronics products are not intended or authorized for use in products or systems that may pose a direct threat to human life or bodily injury (artificial life support devices or systems; surgical implantations; etc.), or may cause serious property damage (space system; undersea repeaters; nuclear power control systems; aircraft control systems; key plant systems; military equipment; etc.). Renesas Electronics disclaims any and all liability for any damages or losses incurred by you or any third parties arising from the use of any Renesas Electronics product that is inconsistent with any Renesas Electronics data sheet, user's manual or other Renesas Electronics document.
7. No semiconductor product is absolutely secure. Notwithstanding any security measures or features that may be implemented in Renesas Electronics hardware or software products, Renesas Electronics shall have absolutely no liability arising out of any vulnerability or security breach, including but not limited to any unauthorized access to or use of a Renesas Electronics product or a system that uses a Renesas Electronics product. RENESAS ELECTRONICS DOES NOT WARRANT OR GUARANTEE THAT RENESAS ELECTRONICS PRODUCTS, OR ANY SYSTEMS CREATED USING RENESAS ELECTRONICS PRODUCTS WILL BE INVULNERABLE OR FREE FROM CORRUPTION, ATTACK, VIRUSES, INTERFERENCE, HACKING, DATA LOSS OR THEFT, OR OTHER SECURITY INTRUSION ("Vulnerability Issues"). RENESAS ELECTRONICS DISCLAIMS ANY AND ALL RESPONSIBILITY OR LIABILITY ARISING FROM OR RELATED TO ANY VULNERABILITY ISSUES. FURTHERMORE, TO THE EXTENT PERMITTED BY APPLICABLE LAW, RENESAS ELECTRONICS DISCLAIMS ANY AND ALL WARRANTIES, EXPRESS OR IMPLIED, WITH RESPECT TO THIS DOCUMENT AND ANY RELATED OR ACCOMPANYING SOFTWARE OR HARDWARE, INCLUDING BUT NOT LIMITED TO THE IMPLIED WARRANTIES OF MERCHANTABILITY, OR FITNESS FOR A PARTICULAR PURPOSE.
8. When using Renesas Electronics products, refer to the latest product information (data sheets, user's manuals, application notes, "General Notes for Handling and Using Semiconductor Devices" in the reliability handbook, etc.), and ensure that usage conditions are within the ranges specified by Renesas Electronics with respect to maximum ratings, operating power supply voltage range, heat dissipation characteristics, installation, etc. Renesas Electronics disclaims any and all liability for any malfunctions, failure or accident arising out of the use of Renesas Electronics products outside of such specified ranges.
9. Although Renesas Electronics endeavors to improve the quality and reliability of Renesas Electronics products, semiconductor products have specific characteristics, such as the occurrence of failure at a certain rate and malfunctions under certain use conditions. Unless designated as a high reliability product or a product for harsh environments in a Renesas Electronics data sheet or other Renesas Electronics document, Renesas Electronics products are not subject to radiation resistance design. You are responsible for implementing safety measures to guard against the possibility of bodily injury, injury or damage caused by fire, and/or danger to the public in the event of a failure or malfunction of Renesas Electronics products, such as safety design for hardware and software, including but not limited to redundancy, fire control and malfunction prevention, appropriate treatment for aging degradation or any other appropriate measures. Because the evaluation of microcomputer software alone is very difficult and impractical, you are responsible for evaluating the safety of the final products or systems manufactured by you.
10. Please contact a Renesas Electronics sales office for details as to environmental matters such as the environmental compatibility of each Renesas Electronics product. You are responsible for carefully and sufficiently investigating applicable laws and regulations that regulate the inclusion or use of controlled substances, including without limitation, the EU RoHS Directive, and using Renesas Electronics products in compliance with all these applicable laws and regulations. Renesas Electronics disclaims any and all liability for damages or losses occurring as a result of your noncompliance with applicable laws and regulations.
11. Renesas Electronics products and technologies shall not be used for or incorporated into any products or systems whose manufacture, use, or sale is prohibited under any applicable domestic or foreign laws or regulations. You shall comply with any applicable export control laws and regulations promulgated and administered by the governments of any countries asserting jurisdiction over the parties or transactions.
12. It is the responsibility of the buyer or distributor of Renesas Electronics products, or any other party who distributes, disposes of, or otherwise sells or transfers the product to a third party, to notify such third party in advance of the contents and conditions set forth in this document.
13. This document shall not be reprinted, reproduced or duplicated in any form, in whole or in part, without prior written consent of Renesas Electronics.
14. Please contact a Renesas Electronics sales office if you have any questions regarding the information contained in this document or Renesas Electronics products.

(Note1) "Renesas Electronics" as used in this document means Renesas Electronics Corporation and also includes its directly or indirectly controlled subsidiaries.

(Note2) "Renesas Electronics product(s)" means any product developed or manufactured by or for Renesas Electronics.

(Disclaimer Rev.5.0-1 October 2020)

Corporate Headquarters

TOYOSU FORESIA, 3-2-24 Toyosu,
Koto-ku, Tokyo 135-0061, Japan
www.renesas.com

Trademarks

Renesas and the Renesas logo are trademarks of Renesas Electronics Corporation. All trademarks and registered trademarks are the property of their respective owners.

Contact Information

For further information on a product, technology, the most up-to-date version of a document, or your nearest sales office, please visit:
www.renesas.com/contact/