

Supported devices for Debug MCU Board for RX Family

Each link on orderable number is set with the URL for User's manual document.

RX600 Series		
Supported MCUs	Supported Packages	Orderable Part No.
RX621	144-pin 0.5mm-pitch LQFP	R0E5562N8PFK00
RX62N	(PLQP0144KA-A)	
	100-pin 0.5mm-pitch LQFP	R0E5562N8PFK10 Note1
	(PLQP0100KB-A)	
RX62T	100-pin 0.5mm-pitch LQFP	R0E5562GAPFK00
RX62G	(PLQP0100KB-A)	(Discontinued product: R0E5562TAPFK00)
	80-pin 0.65mm-pitch LQFP	R0E5562GAPFJ00
	(PLQP0080JA-A)	(Discontinued product: R0E5562TAPFJ00)
	64-pin 0.5mm-pitch LQFP	R0E5562GAPFK10
	(PLQP0064KB-A)	(Discontinued product: R0E5562TAPFK10)
RX630	144-pin 0.5mm-pitch LQFP	R0E55630EDMB00
	(PLQP0144KA-A)	
	100-pin 0.5mm-pitch LQFP	R0E55630EDMB01
	(PLQP0100KB-A)	
RX63N	144-pin 0.5mm-pitch LQFP	R0E5563NEDMB00
RX631	(PLQP0144KA-A)	
	100-pin 0.5mm-pitch LQFP	R0E5563NEDMB01
	(PLQP0100KB-A)	
RX63T	120-pin 0.5mm-pitch LQFP	R0E5563TEDMB00 Note2
	(PLQP0120KA-A)	
	112-pin 0.65mm-pitch LQFP	R0E5563TEDMB01
	(PLQP0112JA-A)	
	100-pin 0.5mm-pitch LQFP	R0E5563TEDMB02
	(PLQP0100KB-A)	

Notes:

1. D/A converter function is not supported.
2. The ports PF0 and PF1 are unavailable.

Supported devices for Debug MCU Board for RX Family

Each link on orderable number is set with the URL for User's manual document.

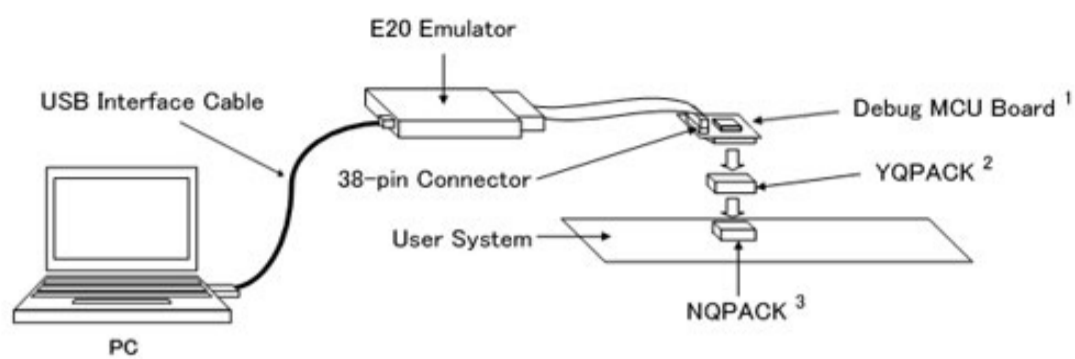
RX700 Series		
Supported MCUs	Supported Packages	Orderable Part No.
RX71M	176-pin 0.5mm-pitch LFQFP (PLQP0176KB-A)	R0E5571MLDMB00 <small>Note1, Note2</small>
	144-pin 0.5mm-pitch LFQFP (PLQP0144KA-A)	R0E5571MLDMB01 <small>Note2</small>
	100-pin 0.5mm-pitch LFQFP (PLQP0100KB-A)	R0E5571MLDMB02 <small>Note2</small>

Notes:

1. The ports PF0, PF1, PF2, PF3 and PF4 are unavailable.
2. This debug MCU board is not usable in combination with the R0E000200ACB10, the isolator for the E20 emulator.

Supported devices for Debug MCU Board for RX Family

System Configuration



Note:

1. YQSOCKET is mounted on the rear side.
2. Connector that connects Debug MCU Board to NQPACK. Bundled with Debug MCU Board.
3. IC socket to be mounted on the user system. Bundled with Debug MCU Board.

System Configuration of Debug MCU Board for RX