

To our customers,

Old Company Name in Catalogs and Other Documents

On April 1st, 2010, NEC Electronics Corporation merged with Renesas Technology Corporation, and Renesas Electronics Corporation took over all the business of both companies. Therefore, although the old company name remains in this document, it is a valid Renesas Electronics document. We appreciate your understanding.

Renesas Electronics website: <http://www.renesas.com>

April 1st, 2010
Renesas Electronics Corporation

Issued by: Renesas Electronics Corporation (<http://www.renesas.com>)

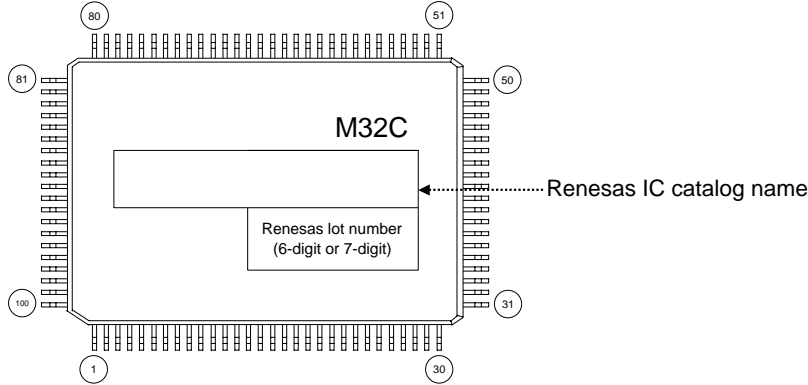
Send any inquiries to <http://www.renesas.com/inquiry>.

100P6S (100-PIN QFP) MARK SPECIFICATION FORM <M32C Only>

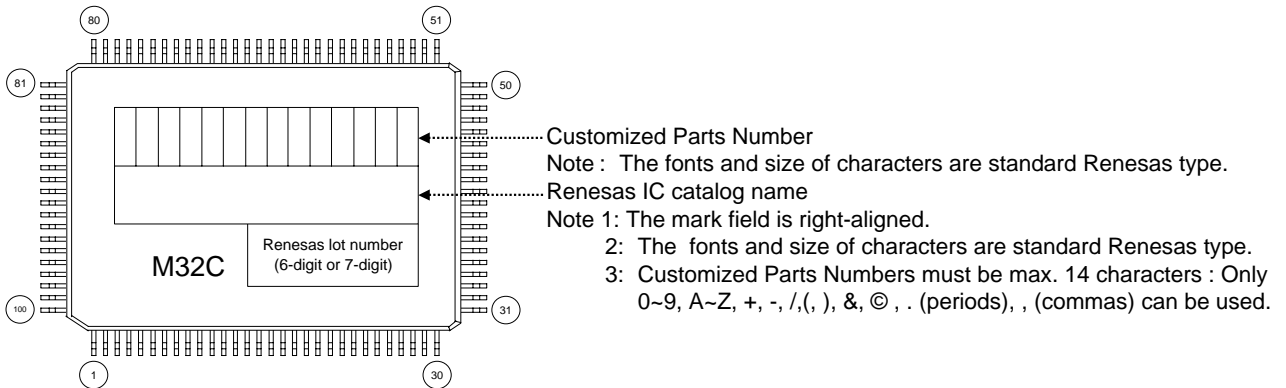
Renesas IC catalog name

Please select one of the marking types below (A, B, C), and fill in the Renesas catalog name and customized markings (if required).

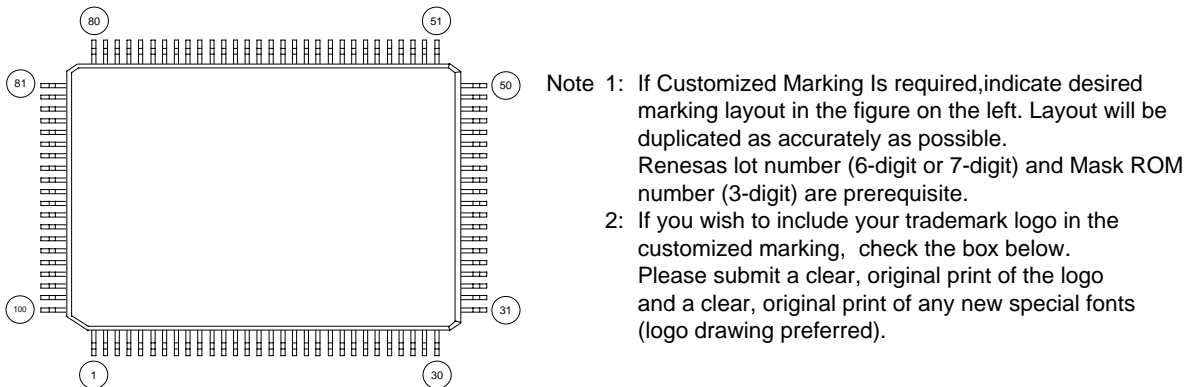
A. Standard Renesas Mark



B. Customized Parts Number + Renesas catalog name



C. Customized Marking Required



Trademark logo required