

To our customers,

Old Company Name in Catalogs and Other Documents

On April 1st, 2010, NEC Electronics Corporation merged with Renesas Technology Corporation, and Renesas Electronics Corporation took over all the business of both companies. Therefore, although the old company name remains in this document, it is a valid Renesas Electronics document. We appreciate your understanding.

Renesas Electronics website: <http://www.renesas.com>

April 1st, 2010
Renesas Electronics Corporation

Issued by: Renesas Electronics Corporation (<http://www.renesas.com>)

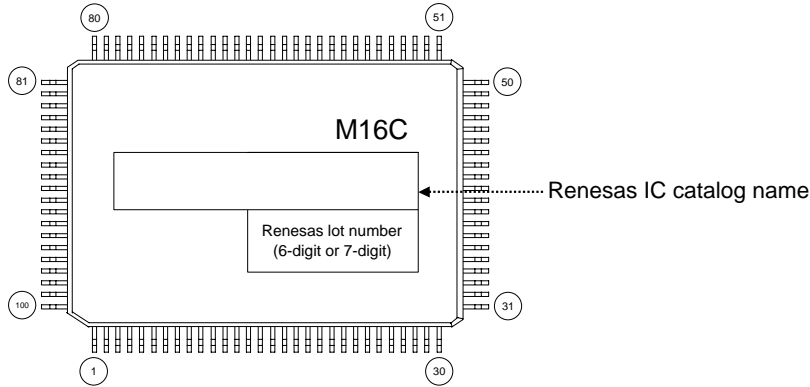
Send any inquiries to <http://www.renesas.com/inquiry>.

100P6S(100-PIN QFP)MARK SPECIFICATION FORM <M16C/62P Only>

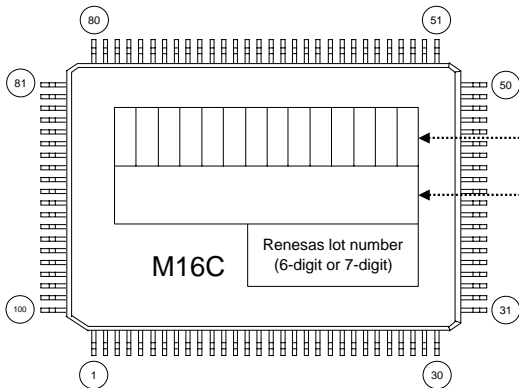
Renesas IC catalog name

Please choose one of the marking types below (A, B, C), and enter the Renesas catalog name and the special mark (if needed).

A. Standard Renesas Mark



B. Customer's Parts Number + Renesas catalog name



Customer's Part Number

Note : The fonts and size of characters are standard Renesas type.

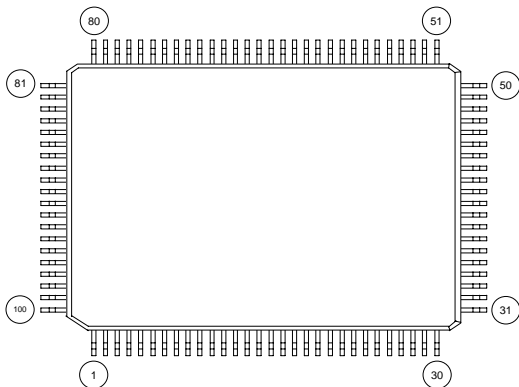
Renesas IC catalog name

Note 1: The mark field should be written right aligned.

Note 2: The fonts and size of characters are standard Renesas type.

Note 3: Customer's Parts Number can be up to 14 characters : Only 0~9, A~Z, +, -, /, (,), &, ©, . (periods), , (commas) are usable.

C. Special Mark Required



Note 1: If the Special Mark is to be Printed, indicate the desired layout of the mark in the left figure. The layout will be duplicated as close as possible.
Renesas lot number (6-digit or 7-digit) and Mask ROM number (3-digit) are always marked.

Note 2: If the customer's trade mark logo must be used in the Special Mark, check the box below.
Please submit a clean original of the logo.

For the new special character fonts a clean font original (ideally logo drawing) must be submitted.

Special logo required