

To our customers,

---

## Old Company Name in Catalogs and Other Documents

---

On April 1<sup>st</sup>, 2010, NEC Electronics Corporation merged with Renesas Technology Corporation, and Renesas Electronics Corporation took over all the business of both companies. Therefore, although the old company name remains in this document, it is a valid Renesas Electronics document. We appreciate your understanding.

Renesas Electronics website: <http://www.renesas.com>

April 1<sup>st</sup>, 2010  
Renesas Electronics Corporation

Issued by: Renesas Electronics Corporation (<http://www.renesas.com>)

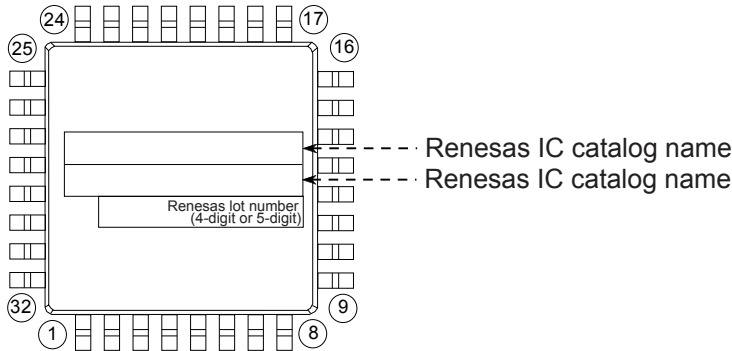
Send any inquiries to <http://www.renesas.com/inquiry>.

# 32P6U (32-PIN LQFP) MARK SPECIFICATION FORM

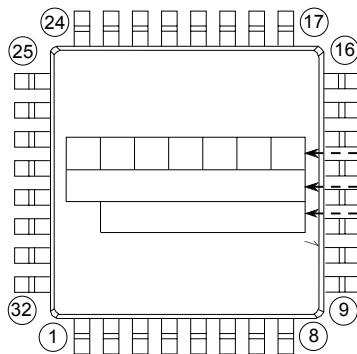
Renesas IC catalog name

Please choose one of the marking types below (A, B1, B2), and enter Renesas IC catalog name the special mark (if needed).

## A. Standard Renesas Mark



## B1. Customer's Parts Number + Renesas IC Catalog Name



Customer's Parts Number

Note : The fonts and size of characters are standard Renesas type.

Renesas IC catalog name

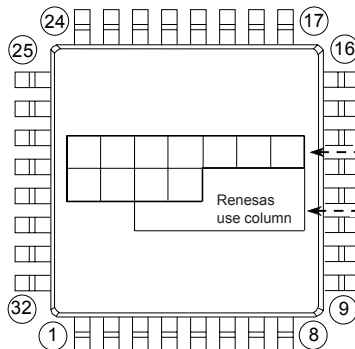
Note1: The mark field should be written right aligned.

2: The fonts and size of characters are standard Renesas type.

3: Customer's parts number can be up to 7 characters :

Only 0 to 9, A to Z, +, -, /, (, ), &, ©, .(period), and ,(comma) are usable.

## B2. Customer's Parts Number



Customer's Parts Number

Note : The fonts and size of characters are standard Renesas type.

Renesas use column

Note : Renesas lot number (4-digit or 5-digit) and Mask ROM number (3-digit) are always marked.

Note1: The mark field should be written right aligned.

2: The fonts and size of characters are standard Renesas type.

3: Customer's parts number can be up to 11 characters :

Only 0 to 9, A to Z, +, -, /, (, ), &, ©, .(period), and ,(comma) are usable.