

To our customers,

---

## Old Company Name in Catalogs and Other Documents

---

On April 1<sup>st</sup>, 2010, NEC Electronics Corporation merged with Renesas Technology Corporation, and Renesas Electronics Corporation took over all the business of both companies. Therefore, although the old company name remains in this document, it is a valid Renesas Electronics document. We appreciate your understanding.

Renesas Electronics website: <http://www.renesas.com>

April 1<sup>st</sup>, 2010  
Renesas Electronics Corporation

Issued by: Renesas Electronics Corporation (<http://www.renesas.com>)

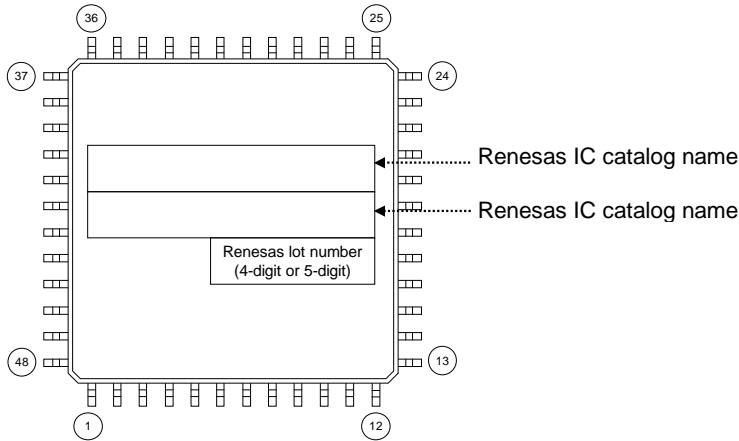
Send any inquiries to <http://www.renesas.com/inquiry>.

# 48P6D, 48P6Q(48-PIN LQFP)MARK SPECIFICATION FORM

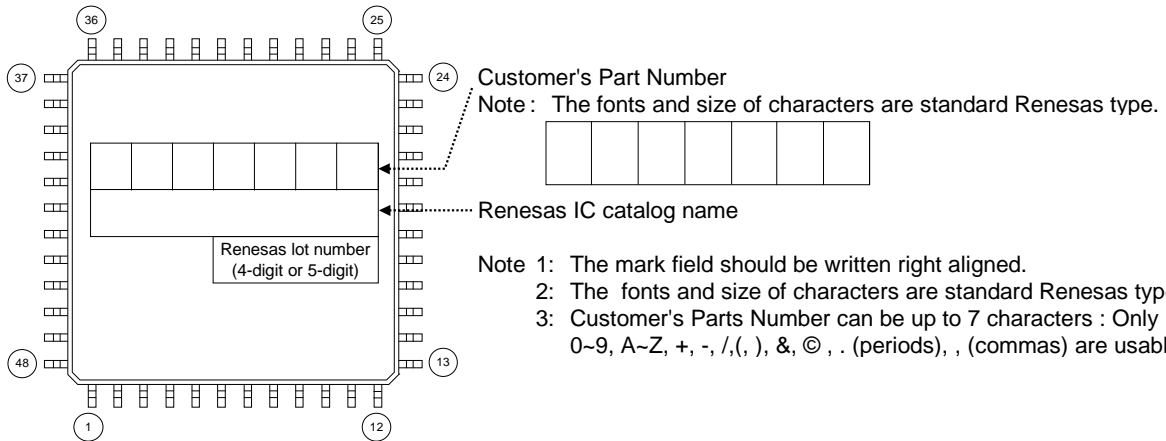
Renesas IC catalog name

Please choose one of the marking types below (A, B), and enter the Renesas catalog name and the special mark (if needed).

## A. Standard Renesas Mark



## B. Customer's Parts Number + Renesas catalog name



\* A special mark cannot be used in this package.  
 The form of a character and the font size is standard Renesas mark only.