

A

B

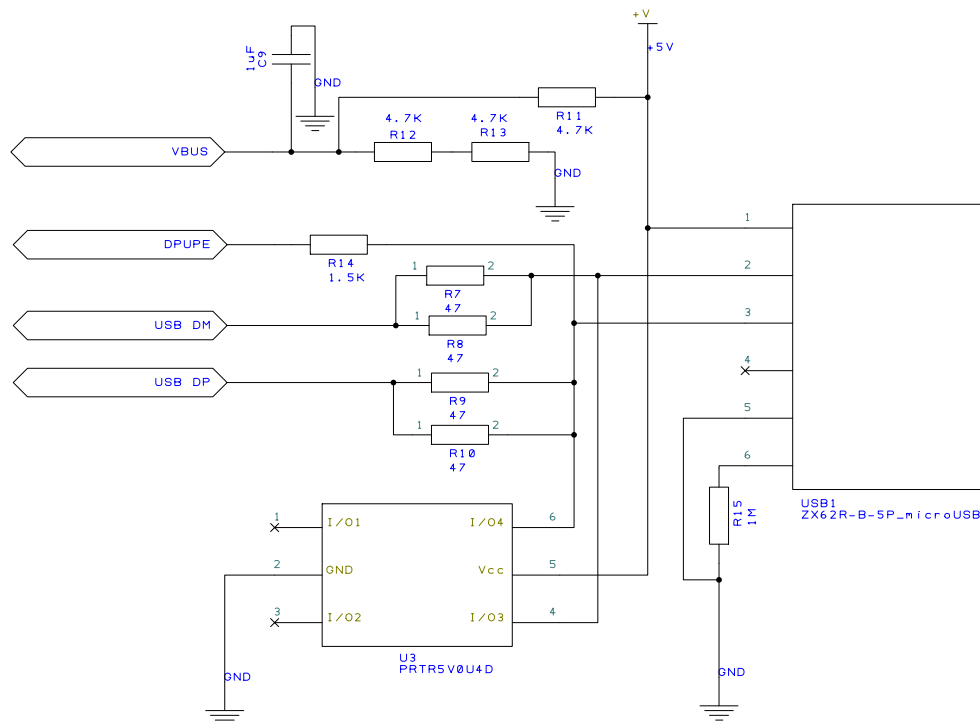
C

D

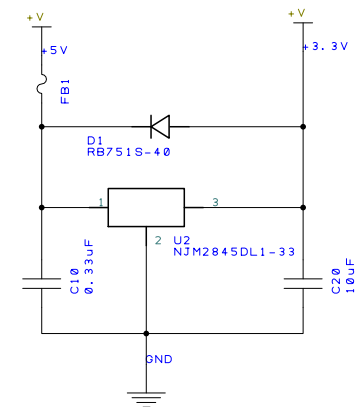
E

F

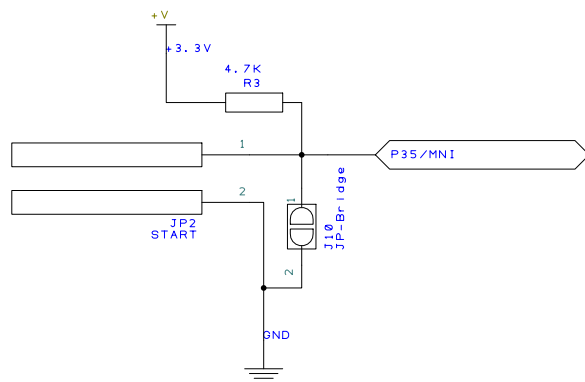
1



2



3



4

PROJECT: GR-CITRUS
 DRAWING TITLE: USB Connector/JP1/Power Supply
 DRAWN BY: Minao Yamamoto REVISION: 1.0

SHEET: 2 OF 3 STATUS:

DATE: 2016/06/18

A

B

C

D

E

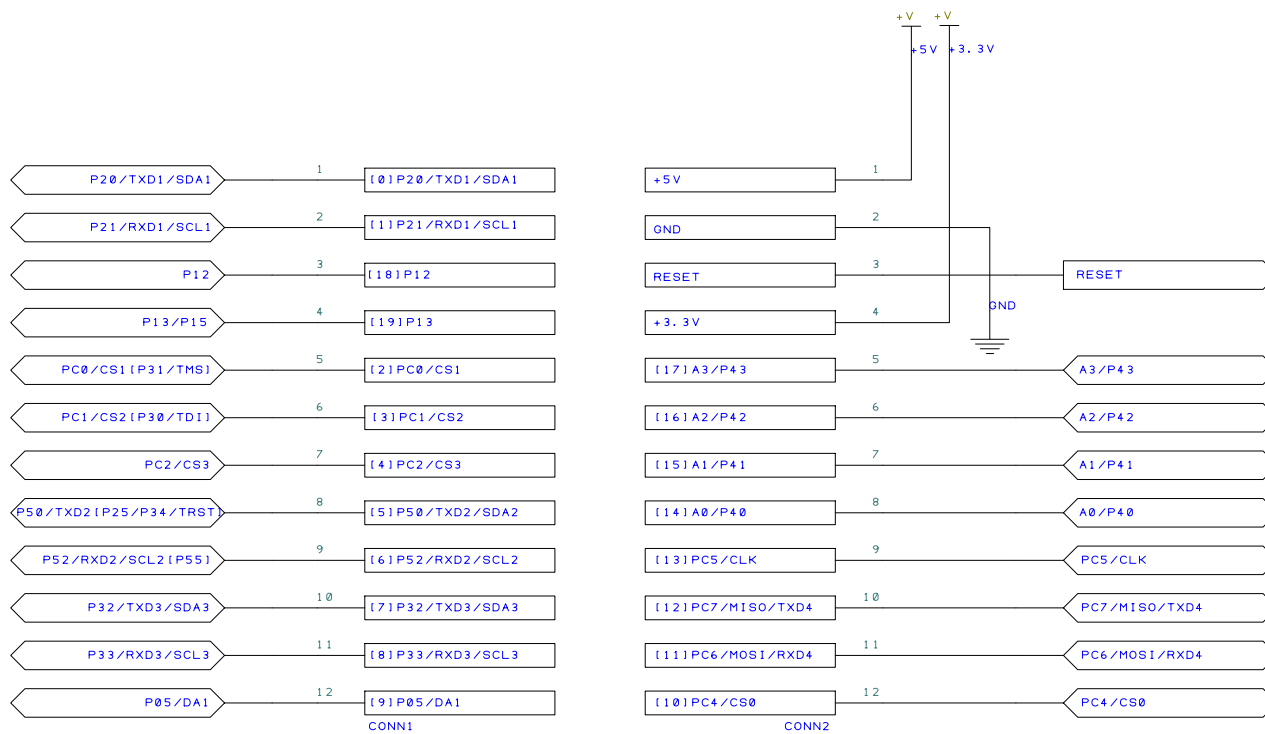
F

1

2

3

4



PROJECT: GR-CITRUS		
DRAWING TITLE: Connector		
DRAWN BY: Minao Yamamoto		REVISION: 1.0
SHEET: 3 OF 3	STATUS:	
DATE: 2016/06/18		