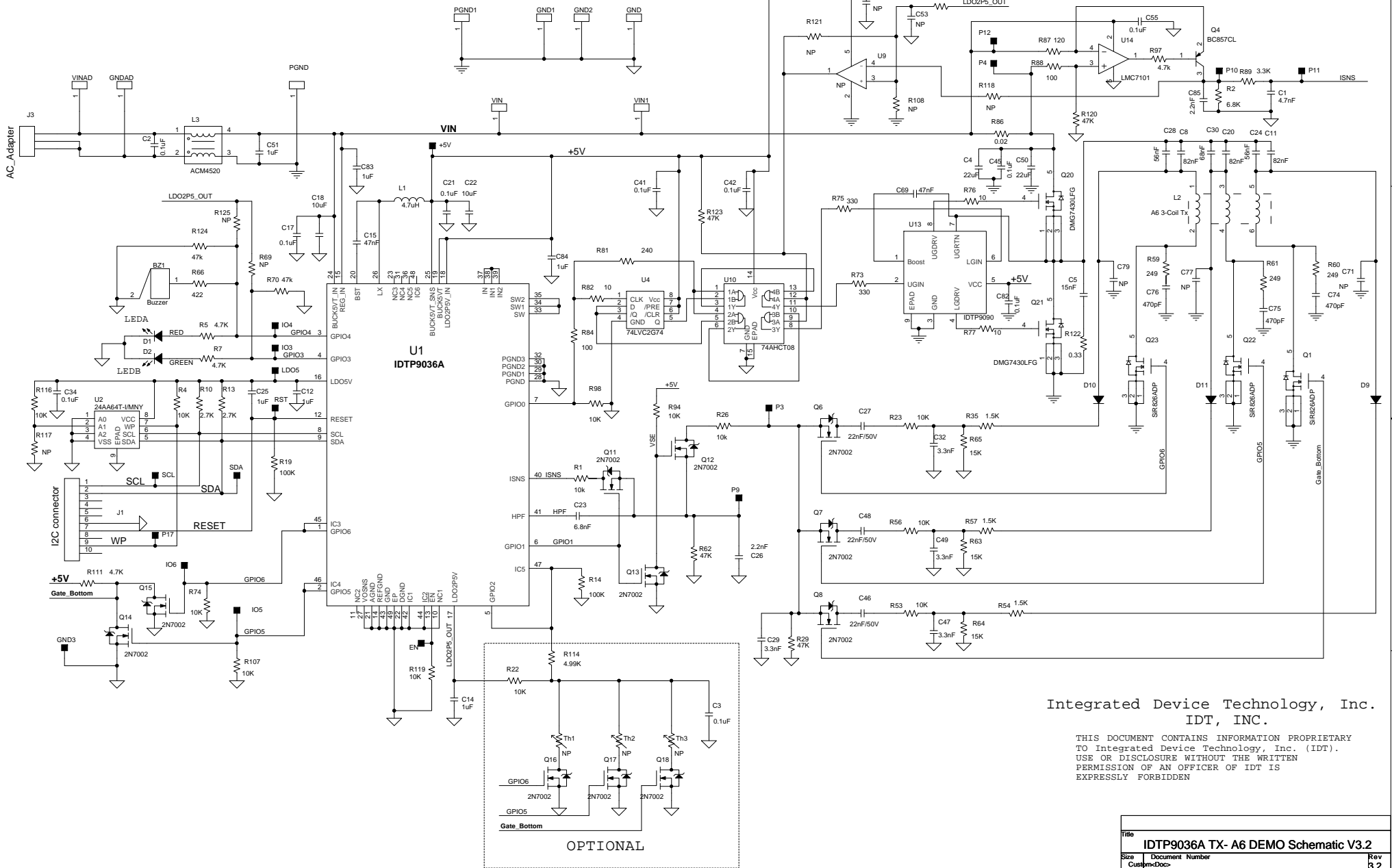


IDTP9036A A6 DEMO PCB V3.2 Schematic



Integrated Device Technology, Inc.
IDT, INC.

THIS DOCUMENT CONTAINS INFORMATION PROPRIETARY TO Integrated Device Technology, Inc. (IDT). USE OR DISCLOSURE WITHOUT THE WRITTEN PERMISSION OF AN OFFICER OF IDT IS EXPRESSLY FORBIDDEN

| | | | |
|--------------|--------------------------------------|-------|--------|
| Title | IDTP9036A TX- A6 DEMO Schematic V3.2 | | |
| Size | Document Number | Rev | 3.2 |
| Customer Doc | | | |
| Date: | Friday, May 03, 2013 13:12:08 | Sheet | 2 of 2 |