

SLG4AD41564

Vertical Marketing - Keypad Scanner

General Description

Silego SLG4AD41564 is a low power and small form device. The SoC is housed in a 2mm x 3mm STQFN package which is optimal for using with small devices.

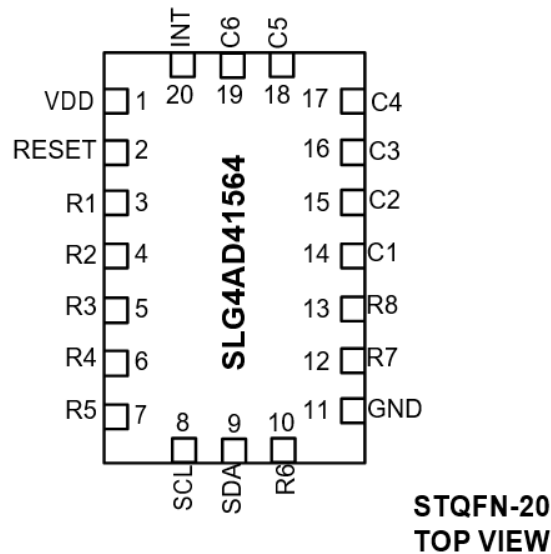
Features

- Low Power Consumption
- Pb-Free / RoHS Compliant
- Halogen-Free
- STQFN-20 Package

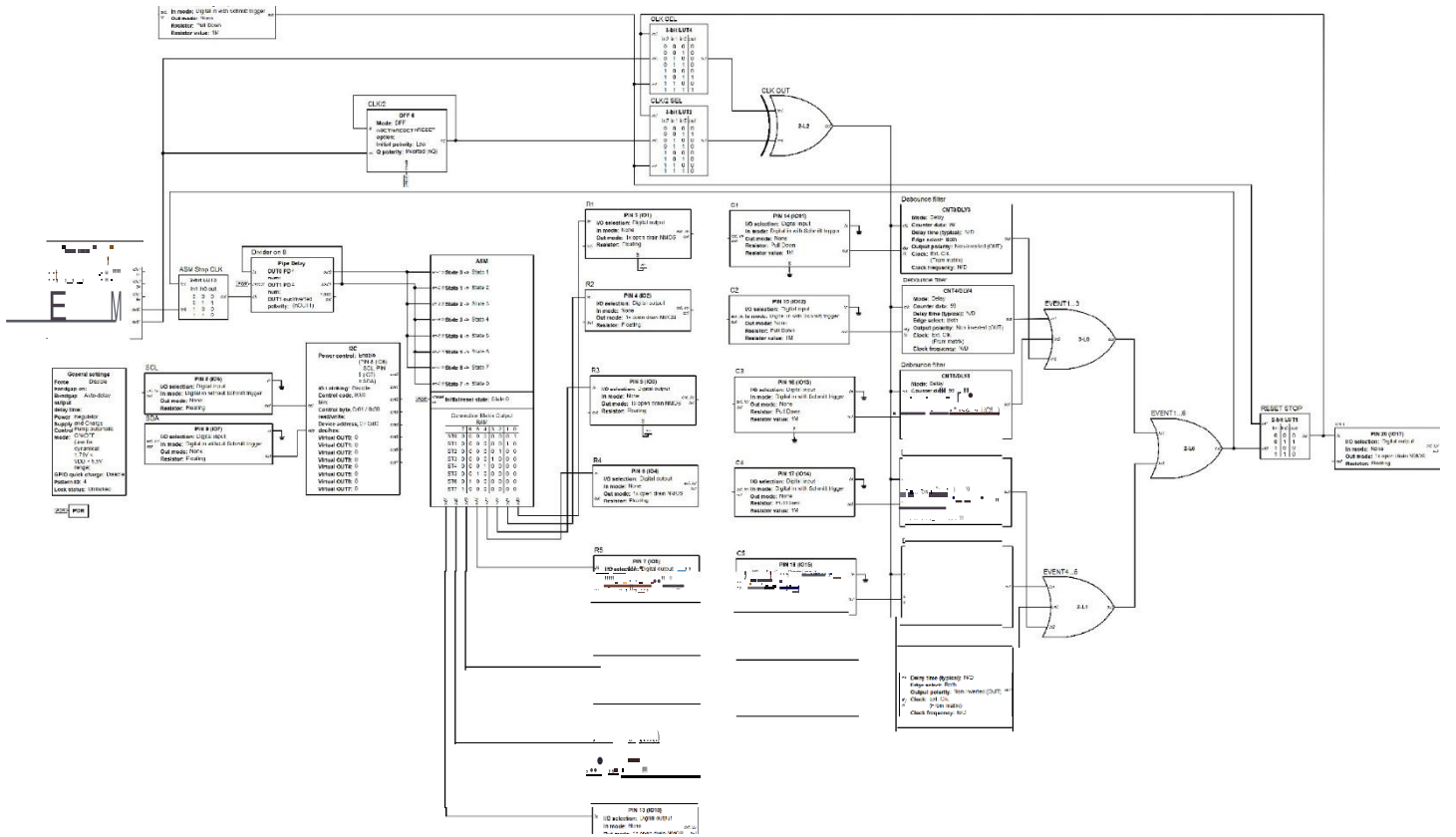
Output Summary

- 9 Outputs — Open Drain NMOS 1X

Pin Configuration



Block Diagram



Pin Configuration

Pin #	Pin Name	Type	Pin Description
1	VDD	PWR	Supply Voltage
2	RESET	Digital Input	Digital Input with Schmitt trigger with internal pull down 1M
3	R1	Digital Output	Open Drain NMOS 1X
4	R2	Digital Output	Open Drain NMOS 1X
5	R3	Digital Output	Open Drain NMOS 1X
6	R4	Digital Output	Open Drain NMOS 1X
7	R5	Digital Output	Open Drain NMOS 1X
8	SCL	Digital Input	Digital Input without Schmitt trigger
9	SDA	Digital Input	Digital Input without Schmitt trigger
10	R6	Digital Output	Open Drain NMOS 1X
11	GND	GND	Ground
12	R7	Digital Output	Open Drain NMOS 1X
13	R8	Digital Output	Open Drain NMOS 1X
14	C1	Digital Input	Digital Input with Schmitt trigger with internal pull down 1M
15	C2	Digital Input	Digital Input with Schmitt trigger with internal pull down 1M
16	C3	Digital Input	Digital Input with Schmitt trigger with internal pull down 1M
17	C4	Digital Input	Digital Input with Schmitt trigger with internal pull down 1M
18	C5	Digital Input	Digital Input with Schmitt trigger with internal pull down 1M
19	C6	Digital Input	Digital Input with Schmitt trigger with internal pull down 1M
20	INT	Digital Output	Open Drain NMOS 1X

Ordering Information

Part Number	Package Type
SLG4AD41564V	V=STQFN-20
SLG4AD41564VTR	VTR=STQFN-20 – Tape and Reel (3k units)

Absolute Maximum Conditions

Parameter	Min.	Max.	Unit
V _{HIGH} to GND	-0.3	7	V
Voltage at input pins	-0.3	7	V
Current at input pin	-1.0	1.0	mA
Storage temperature range	-65	125	°C
Junction temperature	--	150	°C
ESD Protection (Human Body Model)	2000	--	V
ESD Protection (Charged Device Model)	1300	--	V
Moisture Sensitivity Level	1		

Electrical Characteristics

(@ 25°C, unless otherwise stated)

Symbol	Parameter	Condition/Note	Min.	Typ.	Max.	Unit
V _{DD}	Supply Voltage		1.8	3.3	5	V
T _A	Operating Temperature		-40	25	85	°C
I _Q	Quiescent Current	Static inputs and outputs Scan mode work	--	8.2	--	µA
I _A	Active Current	Static outputs Scan work stop	--	12.5	--	µA
V _O	Maximal Voltage Applied to any PIN in High-Impedance State		--	--	VDD	V
I _O	Maximal Average or DCCurrent (note 1)	Per Each Chip Side (PIN2-PIN10, PIN12-PIN20)	--	--	90	mA
V _{IH}	HIGH-Level Input Voltage	Logic Input, at VDD=1.8V	1.06	--	VDD	V
		Logic Input with Schmitt Trigger, at VDD=1.8V	1.28	--	VDD	
		Logic Input, at VDD=3.3V	1.81	--	VDD	
		Logic Input with Schmitt Trigger, at VDD=3.3V	2.14	--	VDD	
		Logic Input, at VDD=5.0V	2.68	--	VDD	
		Logic Input with Schmitt Trigger, at VDD=5.0V	3.34	--	VDD	
V _{IL}	LOW-Level Input Voltage	Logic Input, at VDD=1.8V	0	--	0.76	V
		Logic Input with Schmitt Trigger, at VDD=1.8V	0	--	0.49	
		Logic Input, at VDD=3.3V	0	--	1.31	
		Logic Input with Schmitt Trigger, at VDD=3.3V	0	--	0.97	
		Logic Input, at VDD=5.0V	0	--	1.96	
		Logic Input with Schmitt Trigger, at VDD=5.0V	0	--	1.41	
V _{HYS}	Schmitt Trigger Hysteresis Voltage	Logic Input with Schmitt Trigger at VDD=1.8V	0.10	0.41	0.66	V

		Logic Input with Schmitt Trigger at VDD=3.3V	0.29	0.62	0.94	
		Logic Input with Schmitt Trigger at VDD=5.0V	0.44	0.90	1.38	
I _{IH}	HIGH-Level Input Current	Logic Input PINS; VIN = VDD	-1.0	--	1.0	μA
I _{IL}	LOW-Level Input Current	Logic Input PINS; VIN = 0V	-1.0	--	1.0	μA
V _{OL}	LOW-Level Output Voltage	Open Drain, IOL = 100uA, 1X Driver, at VDD=1.8 V	--	0.006	0.009	V
		Open Drain, IOL = 3mA, 1X Driver, at VDD=3.3 V	--	0.08	0.15	
		Open Drain, IOL = 5mA, 1X Driver, at VDD=5.0 V	--	0.12	0.16	
I _{OL}	LOW-Level Output Current	Open Drain, VOL = 0.15V, 1X Driver, at VDD=1.8 V	1.38	2.53		mA
		Open Drain, VOL = 0.4V, 1X Driver, at VDD=3.3 V	7.31	12.37		
		Open Drain, VOL = 0.4V, 1X Driver, at VDD=5.0 V	10.82	17.38		
RPULL_DOW _N	Internal Pull Down Resistance	Pull down on PINS 2, 14, 15, 16, 17, 18, 19	862	1097	1371	kΩ
TDLY ₀	Delay ₀ Time	At temperature 25°C	--	8.09	--	ms
		At temperature -40°C +85°C (note 1)	--	8.11	--	
TDLY ₁	Delay ₁ Time	At temperature 25°C	--	8.09	--	ms
		At temperature -40°C +85°C (note 1)	--	8.11	--	
TDLY ₃	Delay ₃ Time	At temperature 25°C	--	8.09	--	ms
		At temperature -40°C +85°C (note 1)	--	8.11	--	
TDLY ₄	Delay ₄ Time	At temperature 25°C	--	8.09	--	ms
		At temperature -40°C +85°C (note 1)	--	8.11	--	
TDLY ₅	Delay ₅ Time	At temperature 25°C	--	8.09	--	ms
		At temperature -40°C +85°C (note 1)	--	8.11	--	
TDLY ₆	Delay ₆ Time	At temperature 25°C	--	8.09	--	ms
		At temperature -40°C +85°C (note 1)	--	8.11	--	
TSU	Start up Time	From VDD rising past PONT _{HR}	0.526	1.4	5.148	ms
PONT _{HR}	Power On Threshold	VDD Level Required to Start Up the Chip	0.950	1.462	1.708	V

POFFTHR	Power Off Threshold	VDD Level Required to Switch Off the Chip	0.935	1.103	1.281	V
FSCL	Clock Frequency, SCL		--	--	400	kHz
tLOW	Clock Pulse Width Low		800	--	--	ns
tHIGH	Clock Pulse Width High		200	--	--	ns
tl	Input Filter Spike Suppression (SCL, SDA)		--	--	168	ns
tAA	Clock Low to Data Out Valid		--	--	900	ns
tBUF	Bus Free Time between Stop and Start		1300	--	--	ns
tHD_STA	Start Hold Time		448	--	--	ns
tSU_STA	Start Set-up Time		5.8	--	--	ns
tHD_DAT	Data Hold Time		0	--	--	ns
tSU_DAT	Data Set-up Time		89	--	--	ns
tR	Inputs Rise Time		--	--	300	ns
tF	Inputs Fall Time		--	--	300	ns
tSU_STD	Stop Set-up Time		9.1	--	--	ns
tDH	Data Out Hold Time		444	--	--	ns
t _{st_out_delay}	State Machine Output Delay Time		67	--	275	ns
t _{st_out}	State Machine Output Transition Time		--	--	165	ns
t _{st_pulse}	State Machine Input Pulse Acceptance Time		9.2	--	--	ns
t _{st_comp}	State Machine Input Complete Time		--	--	29	ns

1. Guaranteed by Design.

Chip address

HEX	BIN	DEC
0x00	0000000	0

Description

1. I2C Basic Command Structure

Each command to the I2C Serial Communications block begins with a Control Byte. The bits inside this Control Byte are shown in Figure 1. After the Start bit, the first four bits are a control code, which can be set by the user in reg<xx:yy>. The Block Address is the next three bits (A10, A9, A8), which will define the most significant bits in the addressing of the data to be read ("1") or written ("0") by the command. This Control Byte will be followed by an Acknowledge bit (ACK). With the exception of the Current Address Read command, all commands will have the Control Byte followed by the Word Address. The Word Address, in conjunction with the three address bits in the Control Byte, will define the specific data byte to be read or written in the command. Figure 1 shows this basic command structure.

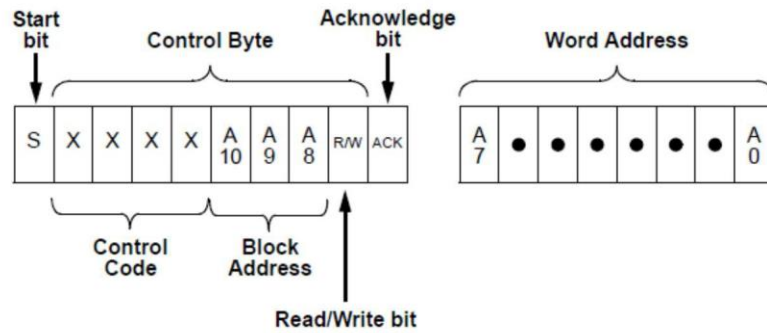


Figure1. I2C Basic Command Structure

2. I2C Serial General Timing

Shown in Figure 2 is the general timing characteristics for the I2C Serial Communications block.

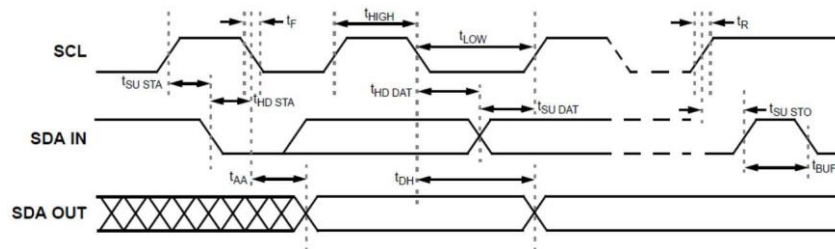


Figure2. I2C Serial General Timing

3.I2C Serial Communications: Read and Write Commands

Following the Start condition from the master, the Control Code [4 bits], the block address [3 bits] and the R/W bit (set to "0"), is placed onto the bus by the Bus Master. After the I2C Serial Communications block has provided an Acknowledgebit (ACK) the next byte transmitted by the master is the Word Address. The Block Address is the next three bits, and is the higher order addressing bits (A10, A9, A8), which when added to the Word Address will together set the internal address pointer in the SLG46537 to the correct data byte to be written. After the SLG46537 sends another Acknowledgebit, the Bus Master will transmit the data byte to be written into the addressed memory location. The SLG46537 again provides an Acknowledge bit and then the Bus Master generates a Stop condition. The internal write cycle for the data will take place at the time that the SLG46537 generates the Acknowledge bit.

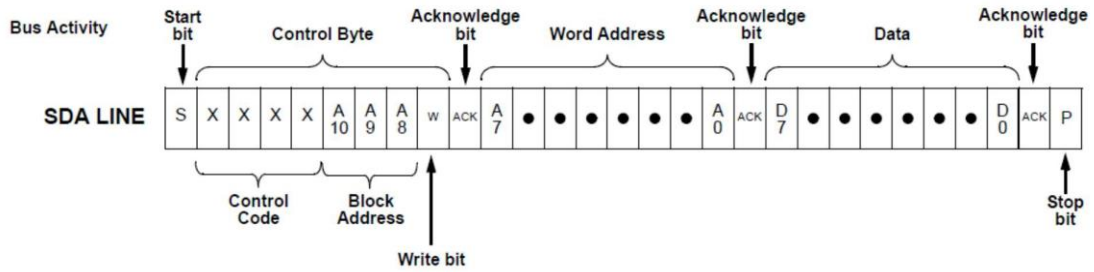


Figure3. I2C Write Command

The Random Read command starts with a Control Byte (with R/W bit set to "0", indicating a write command) and Word Address to set the internal byte address, followed by a Start bit, and then the Control Byte for the read (exactly the same as the Byte Write command). The Start bit in the middle of the command will halt the decoding of a Write command, but will set the internal address counter in preparation for the second half of the command. After the Start bit, the Bus Master issues a second control byte with the R/W bit set to "1", after which the SLG46537 issues an Acknowledge bit, followed by the requested eight data bits.

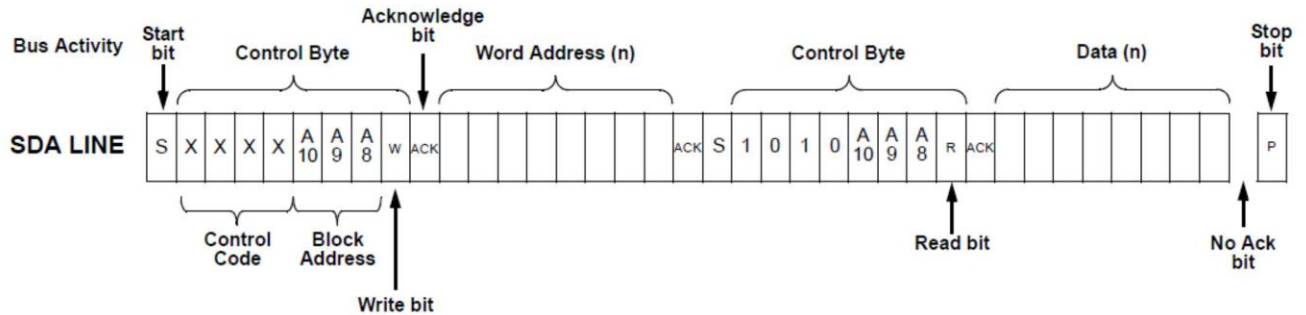


Figure4. I2C Random Read Command

4.Data row keypad scanner

Address Byte	Register Bit	Block	Function
0xF5	reg<1960>	RAM_0 Output for ASM-state	R1 value
	reg<1961>	RAM_1 Output for ASM-state	R2 value
	reg<1962>	RAM_2 Output for ASM-state	R3 value
	reg<1963>	RAM_3 Output for ASM-state	R4 value
	reg<1964>	RAM_4 Output for ASM-state	R5 value
	reg<1965>	RAM_5 Output for ASM-state	R6 value
	reg<1966>	RAM_6 Output for ASM-state	R7 value
	reg<1967>	RAM_7 Output for ASM-state	R8 value

5.Data column keypad scanner

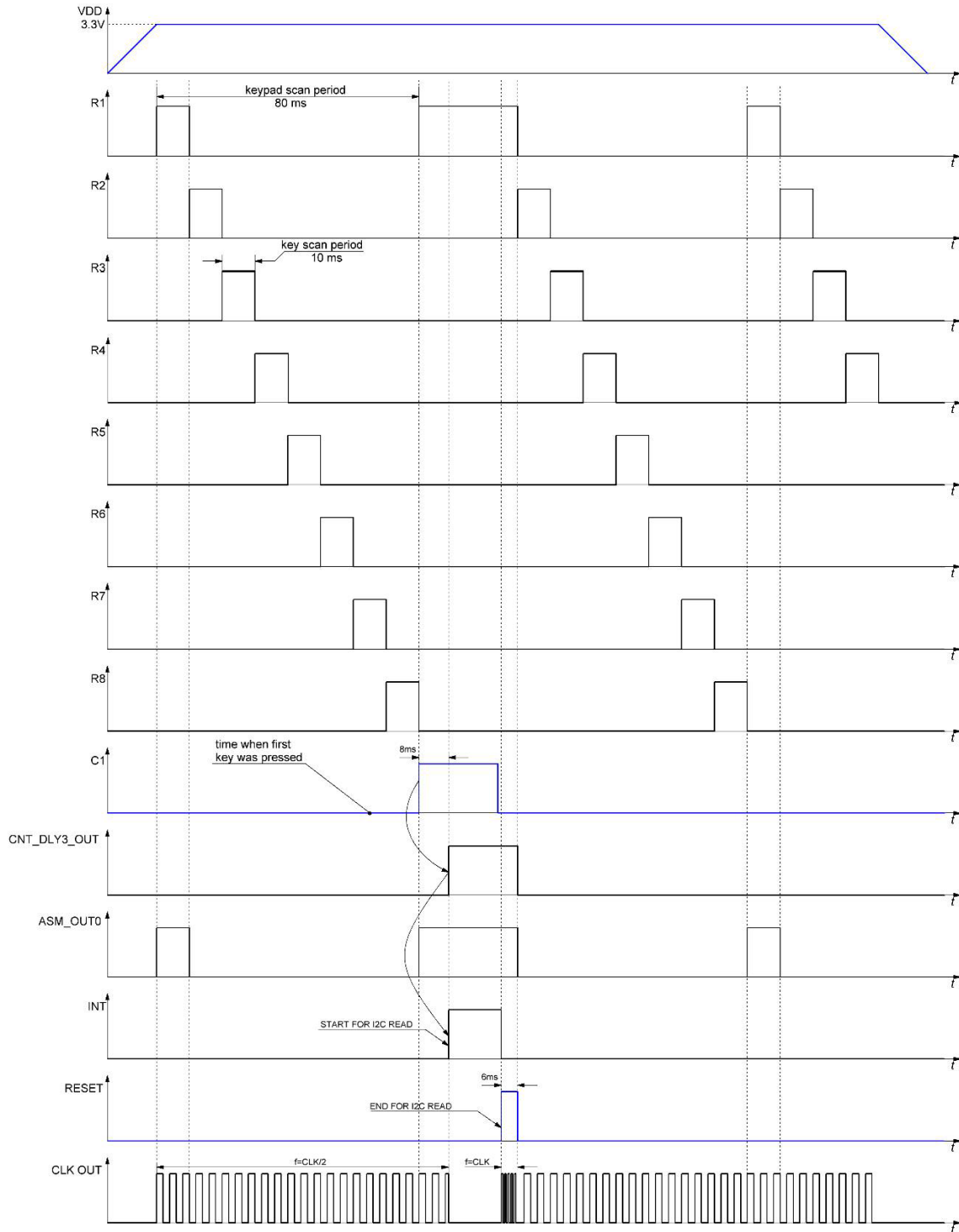
Address Byte	Register Bit	Block	Function
0xF2	reg<1936>	--	Not used
	reg<1937>	--	Not used
	reg<1938>	CNT_DLY3 Output	C1 value
	reg<1939>	CNT_DLY4 Output	C2 value
	reg<1940>	CNT_DLY5 Output	C3 value
	reg<1941>	CNT_DLY6 Output	C4 value
	reg<1942>	CNT_DLY0 Output	C5 value
	reg<1943>	CNT_DLY1 Output	C6 value

Truth Tables

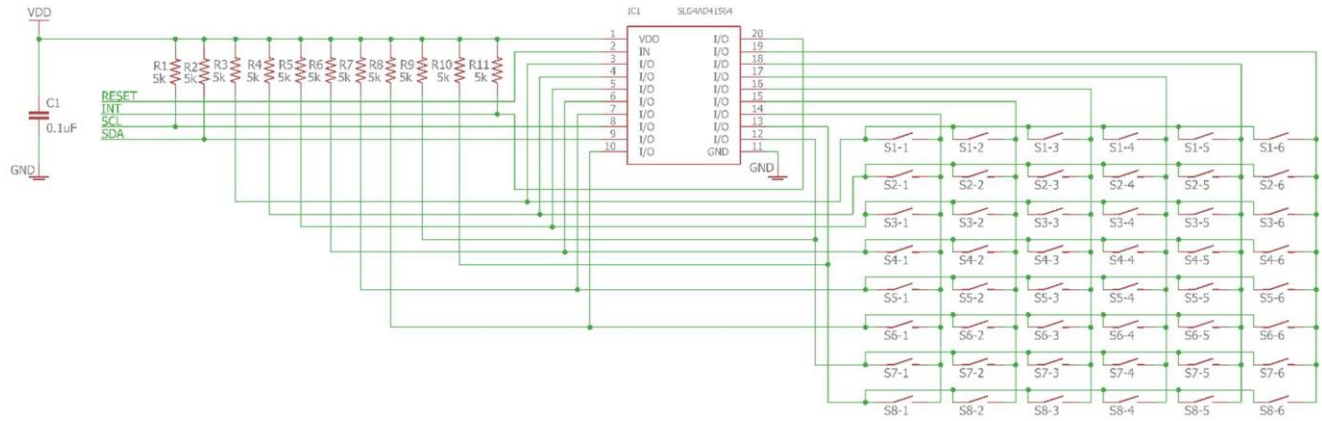
Table1

Keypad Code Number														
	R1	R2	R3	R4	R5	R6	R7	R8	C1	C2	C3	C4	R5	R6
Key1	H	L	L	L	L	L	L	L	H	L	L	L	L	L
Key2	H	L	L	L	L	L	L	L	L	H	L	L	L	L
Key3	H	L	L	L	L	L	L	L	L	L	H	L	L	L
Key4	H	L	L	L	L	L	L	L	L	L	L	H	L	L
Key5	H	L	L	L	L	L	L	L	L	L	L	L	H	L
Key6	H	L	L	L	L	L	L	L	L	L	L	L	L	H
Key7	L	H	L	L	L	L	L	L	H	L	L	L	L	L
Key8	L	H	L	L	L	L	L	L	L	H	L	L	L	L
Key9	L	H	L	L	L	L	L	L	L	L	H	L	L	L
Key10	L	H	L	L	L	L	L	L	L	L	L	H	L	L
Key11	L	H	L	L	L	L	L	L	L	L	L	L	H	L
Key12	L	H	L	L	L	L	L	L	L	L	L	L	L	H
Key13	L	L	H	L	L	L	L	L	H	L	L	L	L	L
Key14	L	L	H	L	L	L	L	L	L	H	L	L	L	L
Key15	L	L	H	L	L	L	L	L	L	L	H	L	L	L
Key16	L	L	H	L	L	L	L	L	L	L	L	H	L	L
Key17	L	L	H	L	L	L	L	L	L	L	L	L	H	L
Key18	L	L	H	L	L	L	L	L	L	L	L	L	L	H
Key19	L	L	L	H	L	L	L	L	H	L	L	L	L	L
Key20	L	L	L	H	L	L	L	L	L	H	L	L	L	L
Key21	L	L	L	H	L	L	L	L	L	L	H	L	L	L
Key22	L	L	L	H	L	L	L	L	L	L	L	H	L	L
Key23	L	L	L	H	L	L	L	L	L	L	L	L	H	L
Key24	L	L	L	H	L	L	L	L	L	L	L	L	L	H
Key25	L	L	L	L	H	L	L	L	H	L	L	L	L	L
Key26	L	L	L	L	H	L	L	L	L	H	L	L	L	L
Key27	L	L	L	L	H	L	L	L	L	L	H	L	L	L
Key28	L	L	L	L	H	L	L	L	L	L	L	H	L	L
Key29	L	L	L	L	H	L	L	L	L	L	L	L	H	L
Key30	L	L	L	L	H	L	L	L	L	L	L	L	L	H
Key31	L	L	L	L	L	H	L	L	H	L	L	L	L	L
Key32	L	L	L	L	L	H	L	L	L	H	L	L	L	L
Key33	L	L	L	L	L	H	L	L	L	L	H	L	L	L
Key34	L	L	L	L	L	H	L	L	L	L	L	H	L	L
Key35	L	L	L	L	L	H	L	L	L	L	L	L	H	L
Key36	L	L	L	L	L	H	L	L	L	L	L	L	L	H
Key37	L	L	L	L	L	L	H	L	H	L	L	L	L	L
Key38	L	L	L	L	L	L	H	L	L	H	L	L	L	L
Key39	L	L	L	L	L	L	H	L	L	L	H	L	L	L
Key40	L	L	L	L	L	L	H	L	L	L	L	H	L	L
Key41	L	L	L	L	L	L	H	L	L	L	L	L	H	L
Key42	L	L	L	L	L	L	H	L	L	L	L	L	L	H
Key43	L	L	L	L	L	L	L	H	H	L	L	L	L	L
Key44	L	L	L	L	L	L	L	H	L	H	L	L	L	L
Key45	L	L	L	L	L	L	L	H	L	L	H	L	L	L
Key46	L	L	L	L	L	L	L	H	L	L	L	H	L	L
Key47	L	L	L	L	L	L	L	H	L	L	L	L	H	L
Key48	L	L	L	L	L	L	L	H	L	L	L	L	L	H

Timing Diagram



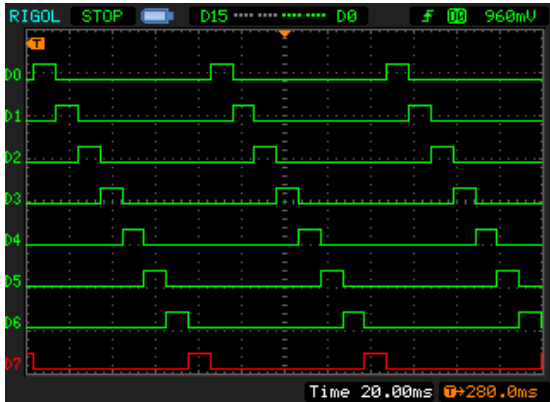
Typical Application Circuit



Functionality Waveforms

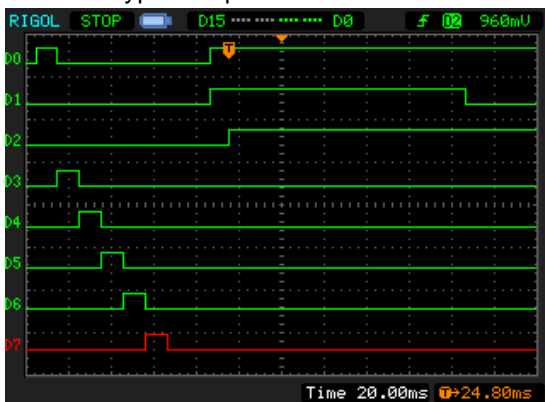
- D0 – PIN#3 (R1) with external 5k Ω pull up resistor
- D1 – PIN#4 (R2) with external 5k Ω pull up resistor
- D2 – PIN#5 (R3) with external 5k Ω pull up resistor
- D3 – PIN#6 (R4) with external 5k Ω pull up resistor
- D4 – PIN#7 (R5) with external 5k Ω pull up resistor
- D5 – PIN#10 (R6) with external 5k Ω pull up resistor
- D6 – PIN#12 (R7) with external 5k Ω pull up resistor
- D7 – PIN#13 (R8) with external 5k Ω pull up resistor

1. Keypad scan mode

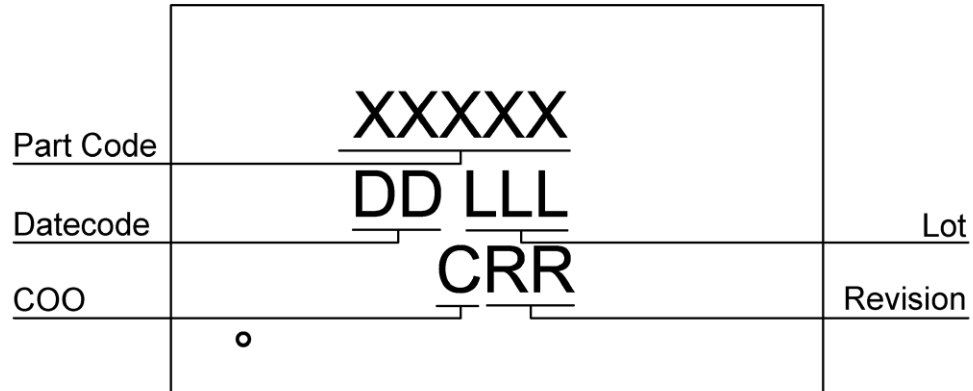


- D0 – PIN#3 (R1) with external 5k Ω pull up resistor
- D1 – PIN#14 (C1)
- D2 – PIN#20 (INT) with external 5k Ω pull up resistor
- D3 – PIN#4 (R2) with external 5k Ω pull up resistor
- D4 – PIN#5 (R3) with external 5k Ω pull up resistor
- D5 – PIN#6 (R4) with external 5k Ω pull up resistor
- D6 – PIN#7 (R5) with external 5k Ω pull up resistor
- D7 – PIN#10 (R6) with external 5k Ω pull up resistor

2. Keypad stop mode



Package Top Marking



- XXXXX – Part ID Field: identifies the specific device configuration
- DD – Date Code Field: Coded date of manufacture
- LLL – Lot Code: Designates Lot #
- C – Assembly Site/COO: Specifies Assembly Site/Country of Origin
- RR – Revision Code: Device Revision

Datasheet Revision	Programming Code Number	Locked Status	Part Code	Revision	Date
0.14	004	U	41564	AA	02/22/2017

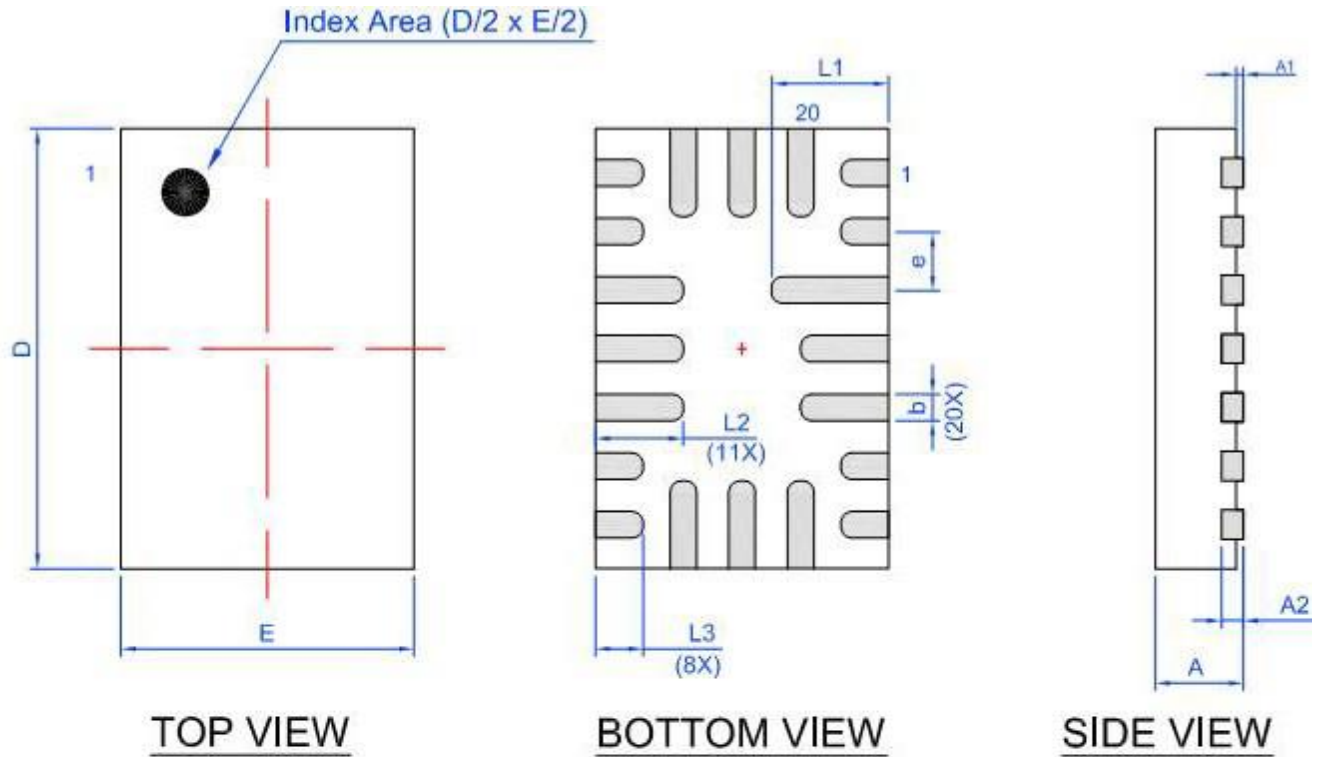
Lock coverage for this part is indicated by , from one of the following options:

<input checked="" type="checkbox"/>	Unlocked
<input type="checkbox"/>	Locked for read, bits <1535:0>
<input type="checkbox"/>	Locked for write, bits <1535:0>
<input type="checkbox"/>	Locked for read and write, bits <1535:0>

The IC security bit is locked/set for code security for production unless otherwise specified. Revision number is not changed for bit locking.

Package Drawing and Dimensions

20 Lead STQFN Package
JEDEC MO-220, Variation WECE



Unit: mm

Symbol	Min	Nom.	Max	Symbol	Min	Nom.	Max
A	0.50	0.55	0.60	D	2.95	3.00	3.05
A1	0.005	-	0.050	E	1.95	2.00	2.05
A2	0.10	0.15	0.20	L1	0.75	0.80	0.85
b	0.13	0.18	0.23	L2	0.55	0.60	0.65
e	0.40 BSC			L3	0.275	0.325	0.375

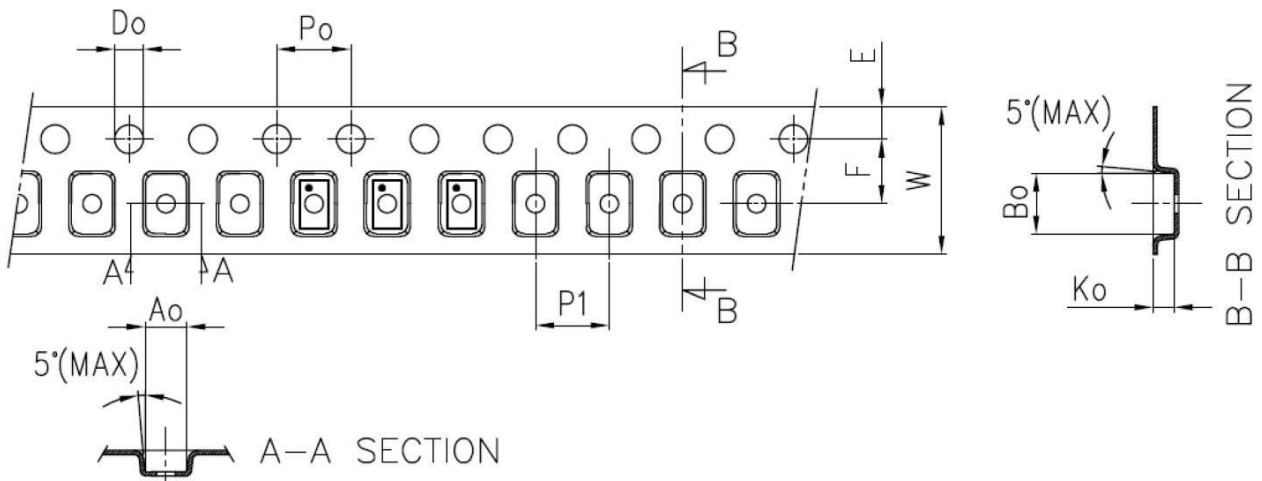
Tape and Reel Specification

Package Type	# of Pins	Nominal Package Size (mm)	Max Units		Reel & Hub Size (mm)	Trailer A		Leader B		Pocket (mm)	
			per reel	per box		Pockets	Length (mm)	Pockets	Length (mm)	Width	Pitch
STQFN 20L 2x3mm 0.4P Green	20	2x3x0.55	3000	3000	178/60	100	400	100	400	8	4

Carrier Tape Drawing and Dimensions

Package Type	Pocket BTM Length (mm)	Pocket BTM Width (mm)	Pocket Depth (mm)	Index Hole Pitch (mm)	Pocket Pitch (mm)	Index Hole Diameter (mm)	Index Hole to Tape Edge (mm)	Index Hole to Pocket Center (mm)	Tape Width (mm)
	A0	B0	K0	P0	P1	D0	E	F	W
STQFN 20L 2x3mm 0.4P Green	2.2	3.15	0.76	4	4	1.5	1.75	3.5	8

Refer to EIA-481 Specifications



Recommended Reflow Soldering Profile

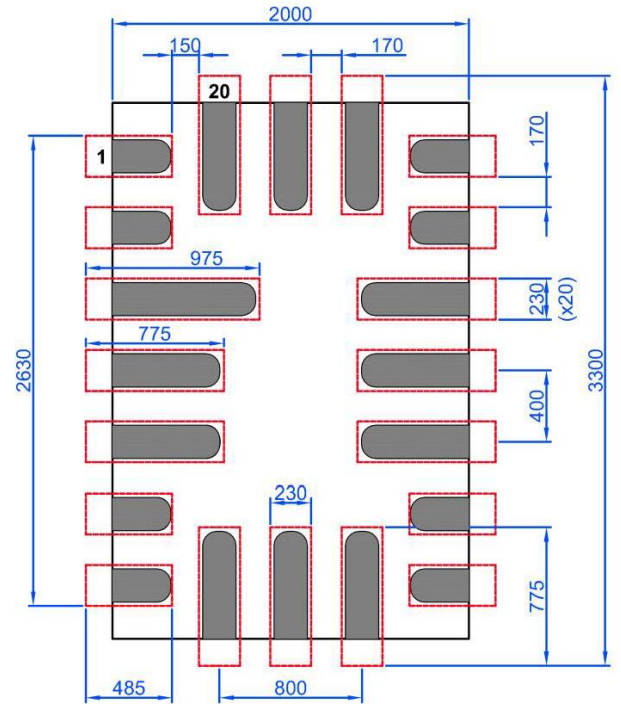
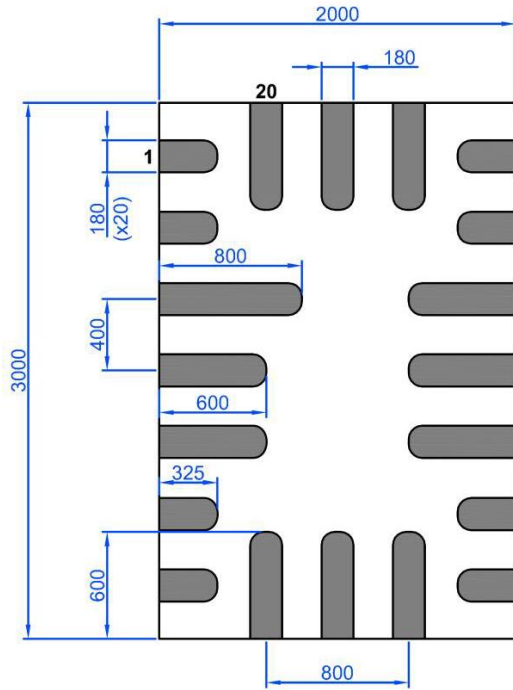
Please see IPC/JEDEC J-STD-020: latest revision for reflow profile based on package volume of 3.3 mm³ (nominal). More information can be found at www.jedec.org.

Recommended Land Pattern

 Exposed Pad
(Top View)

 Recommended Land Pattern
(Top View)

Units: μm



IMPORTANT NOTICE AND DISCLAIMER

RENESAS ELECTRONICS CORPORATION AND ITS SUBSIDIARIES (“RENESAS”) PROVIDES TECHNICAL SPECIFICATIONS AND RELIABILITY DATA (INCLUDING DATASHEETS), DESIGN RESOURCES (INCLUDING REFERENCE DESIGNS), APPLICATION OR OTHER DESIGN ADVICE, WEB TOOLS, SAFETY INFORMATION, AND OTHER RESOURCES “AS IS” AND WITH ALL FAULTS, AND DISCLAIMS ALL WARRANTIES, EXPRESS OR IMPLIED, INCLUDING, WITHOUT LIMITATION, ANY IMPLIED WARRANTIES OF MERCHANTABILITY, FITNESS FOR A PARTICULAR PURPOSE, OR NON-INFRINGEMENT OF THIRD-PARTY INTELLECTUAL PROPERTY RIGHTS.

These resources are intended for developers who are designing with Renesas products. You are solely responsible for (1) selecting the appropriate products for your application, (2) designing, validating, and testing your application, and (3) ensuring your application meets applicable standards, and any other safety, security, or other requirements. These resources are subject to change without notice. Renesas grants you permission to use these resources only to develop an application that uses Renesas products. Other reproduction or use of these resources is strictly prohibited. No license is granted to any other Renesas intellectual property or to any third-party intellectual property. Renesas disclaims responsibility for, and you will fully indemnify Renesas and its representatives against, any claims, damages, costs, losses, or liabilities arising from your use of these resources. Renesas' products are provided only subject to Renesas' Terms and Conditions of Sale or other applicable terms agreed to in writing. No use of any Renesas resources expands or otherwise alters any applicable warranties or warranty disclaimers for these products.

(Disclaimer Rev.1.01 Jan 2024)

Corporate Headquarters

TOYOSU FORESIA, 3-2-24 Toyosu,
Koto-ku, Tokyo 135-0061, Japan
www.renesas.com

Trademarks

Renesas and the Renesas logo are trademarks of Renesas Electronics Corporation. All trademarks and registered trademarks are the property of their respective owners.

Contact Information

For further information on a product, technology, the most up-to-date version of a document, or your nearest sales office, please visit www.renesas.com/contact-us/.