

SLG4AD41757

Power Sequencer

General Description

Silego SLG4AD41757 is a low power and small form device. The SoC is housed in a 2mm x 3mm STQFN package which is optimal for using with small devices.

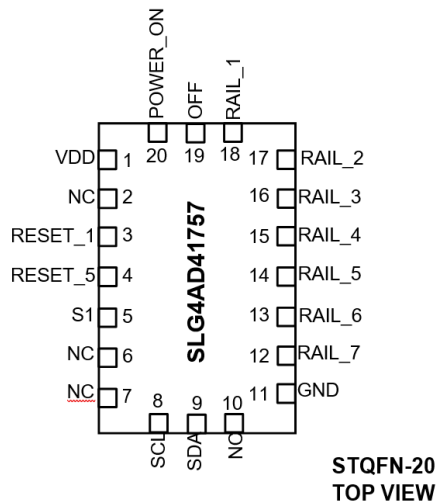
Features

- Low Power Consumption
- Pb-Free / RoHS Compliant
- Halogen-Free
- STQFN-20 Package

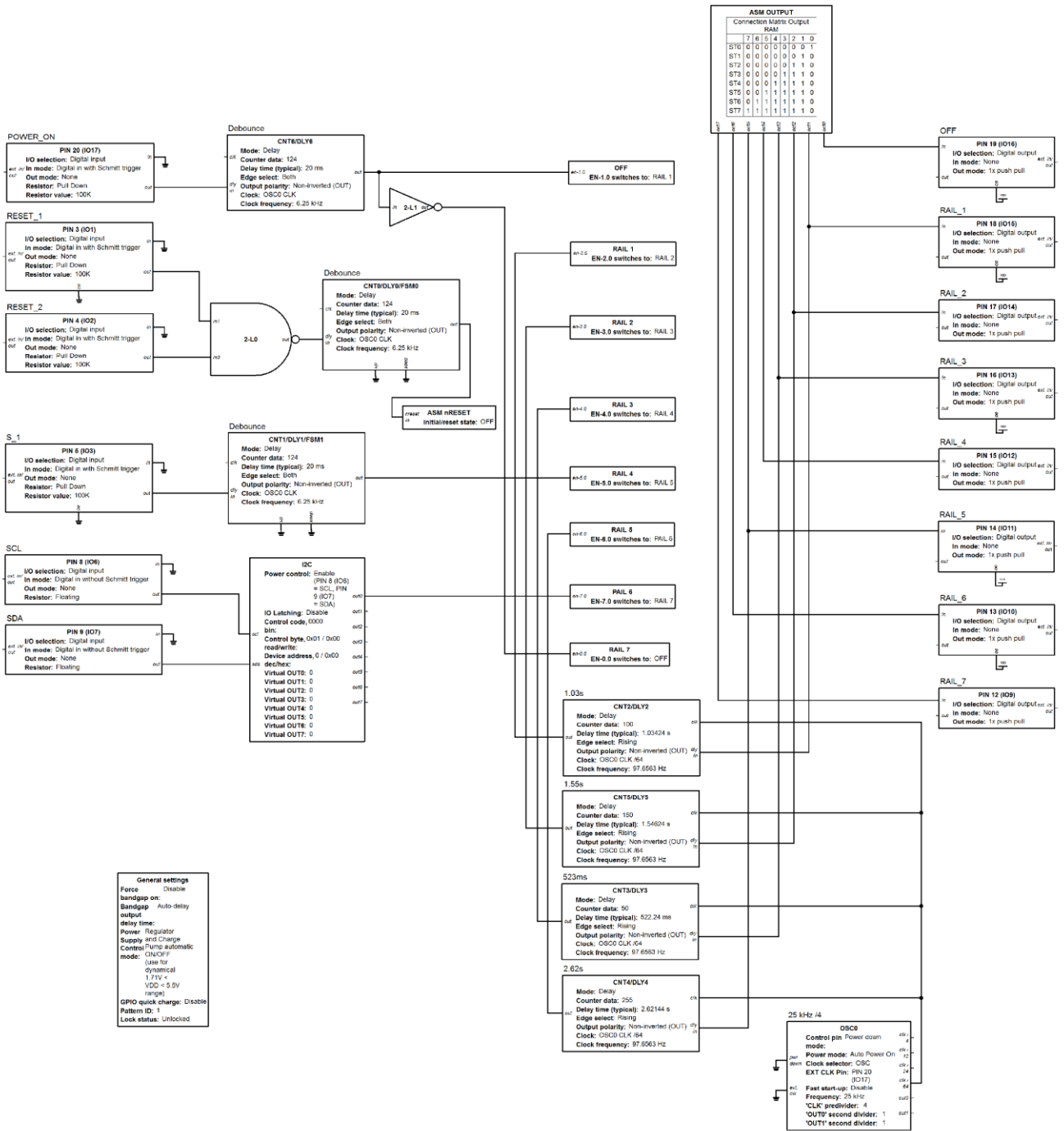
Output Summary

- 8 Outputs — Push Pull 1X

Pin Configuration



Block Diagram



Pin Configuration

Pin #	Pin Name	Type	Pin Description
1	VDD	PWR	Supply Voltage
2	NC	--	Keep Floating or Connect to GND
3	RESET_1	Digital Input	Digital Input with Schmitt trigger
4	RESET_5	Digital Input	Digital Input with Schmitt trigger
5	S1	Digital Input	Digital Input with Schmitt trigger
6	NC	--	Keep Floating or Connect to GND
7	NC	--	Keep Floating or Connect to GND
8	SCL	Digital Input	Digital Input without Schmitt trigger
9	SDA	Digital Input	Digital Input without Schmitt trigger
10	NC	--	Keep Floating or Connect to GND
11	GND	GND	Ground
12	RAIL_7	Digital Output	Push Pull 1X
13	RAIL_6	Digital Output	Push Pull 1X
14	RAIL_5	Digital Output	Push Pull 1X
15	RAIL_4	Digital Output	Push Pull 1X
16	RAIL_3	Digital Output	Push Pull 1X
17	RAIL_2	Digital Output	Push Pull 1X
18	RAIL_1	Digital Output	Push Pull 1X
19	OFF	Digital Output	Push Pull 1X
20	POWER_ON	Digital Input	Digital Input with Schmitt trigger

Ordering Information

Part Number	Package Type
SLG4AD41757V	V=STQFN-20
SLG4AD41757VTR	VTR=STQFN-20 – Tape and Reel (3k units)

Absolute Maximum Conditions

Parameter	Min.	Max.	Unit
V _{HIGH} to GND	-0.3	7	V
Voltage at input pins	-0.3	7	V
Current at input pin	-1.0	1.0	mA
Storage temperature range	-65	125	°C
Junction temperature	--	150	°C
ESD Protection (Human Body Model)	2000	--	V
ESD Protection (Charged Device Model)	1300	--	V
Moisture Sensitivity Level	1		

Electrical Characteristics

(@ 25°C, unless otherwise stated)

Symbol	Parameter	Condition/Note	Min.	Typ.	Max.	Unit
V _{DD}	Supply Voltage		3	5	5.5	V
T _A	Operating Temperature		-40	25	85	°C
I _Q	Quiescent Current	Static inputs and floating outputs	--	1	--	µA
V _O	Maximal Voltage Applied to any PIN in High- Impedance State		--	--	VDD	V
I _O	Maximal Average or DC Current (note 1)	Per Each Chip Side (PIN2-PIN10, PIN12-PIN20)	--	--	90	mA
V _{IH}	HIGH-Level Input Voltage	Logic Input, at VDD=3.3V	1.81	--	VDD	V
		Logic Input with Schmitt Trigger, at VDD=3.3V	2.14	--	VDD	
		Logic Input, at VDD=5.0V	2.68	--	VDD	
		Logic Input with Schmitt Trigger, at VDD=5.0V	3.34	--	VDD	
V _{IL}	LOW-Level Input Voltage	Logic Input, at VDD=3.3V	0	--	1.31	V
		Logic Input with Schmitt Trigger, at VDD=3.3V	0	--	0.97	
		Logic Input, at VDD=5.0V	0	--	1.96	
		Logic Input with Schmitt Trigger, at VDD=5.0V	0	--	1.41	
V _{HYS}	Schmitt Trigger Hysteresis Voltage	Logic Input with Schmitt Trigger at VDD=3.3V	0.29	0.62	0.94	V
		Logic Input with Schmitt Trigger at VDD=5.0V	0.44	0.90	1.38	
I _{IH}	HIGH-Level Input Current	Logic Input PINs; V _{IN} = VDD	-1.0	--	1.0	µA
I _{IL}	LOW-Level Input Current	Logic Input PINs; V _{IN} = 0V	-1.0	--	1.0	µA
V _{OH}	HIGH-Level Output Voltage	Push Pull & PMOS OD, I _{OH} = 3mA, 1X Driver, at VDD=3.3 V	2.70	3.12	--	V
		Push Pull & PMOS OD, I _{OH} = 5mA, 1X Driver, at VDD=5.0 V	4.15	4.76	--	

V _{OL}	LOW-Level Output Voltage	Push Pull, I _{OL} = 3mA, 1X Driver, at VDD=3.3 V	--	0.13	0.23	V
		Push Pull, I _{OL} = 5mA, 1X Driver, at VDD=5.0 V	--	0.19	0.24	
I _{OH}	HIGH-Level Output Current	Push Pull & PMOS OD, V _{OH} = 2.4 V, 1X Driver, at VDD=3.3 V	6.05	12.08	--	mA
		Push Pull & PMOS OD, V _{OH} = 2.4 V, 1X Driver, at VDD=5.0 V	22.08	34.04	--	
I _{OL}	LOW-Level Output Current	Push Pull, V _{OL} = 0.4V, 1X Driver, at VDD=3.3 V	4.88	8.24		mA
		Push Pull, V _{OL} = 0.4V, 1X Driver, at VDD=5.0 V	7.22	11.58		
R _{PULL_DOWN}	Internal Pull Down Resistance	Pull down on PINs 3, 4, 5, 20	87.5	109.7	136.6	kΩ
T _{DLY0}	Delay0 Time	At temperature 25°C	19.22	20	20.66	ms
		At temperature -40°C +85°C (note 1)	18.33	20.05	21.52	
T _{DLY1}	Delay1 Time	At temperature 25°C	19.22	20	20.66	ms
		At temperature -40°C +85°C (note 1)	18.33	20.05	21.52	
T _{DLY2}	Delay2 Time	At temperature 25°C	996.74	1035.75	1065.92	ms
		At temperature -40°C +85°C (note 1)	951.20	1046.93	1109.34	
T _{DLY3}	Delay3 Time	At temperature 25°C	503.27	523	538.25	s
		At temperature -40°C +85°C (note 1)	480.28	524.12	560.20	
T _{DLY4}	Delay4 Time	At temperature 25°C	2.53	2.62	2.071	ms
		At temperature -40°C +85°C (note 1)	2.41	2.63	2.82	
T _{DLY5}	Delay5 Time	At temperature 25°C	1.49	1.55	1.60	s
		At temperature -40°C +85°C (note 1)	1.42	1.55	1.66	
T _{DLY6}	Delay6 Time	At temperature 25°C	19.22	20	20.66	ms
		At temperature -40°C +85°C (note 1)	18.33	20.05	21.52	
T _{SU}	Start up Time	From VDD rising past PON _{THR}	0.526	1.4	5.148	ms
PON _{THR}	Power On Threshold	VDD Level Required to Start Up the Chip	0.950	1.462	1.708	V
POFF _{THR}	Power Off Threshold	VDD Level Required to Switch Off the Chip	0.935	1.103	1.281	V
F _{SCL}	Clock Frequency, SCL	V _{DD} = (1.71.....) V	--	--	400	kHz
t _{LOW}	Clock Pulse Width Low	V _{DD} = (1.71.....) V	1300	--	--	ns
t _{HIGH}	Clock Pulse Width High	V _{DD} = (1.71.....) V	600	--	--	ns
t _i	Input Filter Spike Suppression (SCL, SDA)	V _{DD} = 1.8 V ± 5 %	--	--	168	ns
		V _{DD} = 3.3 V ± 10 %	--	--	157	
		V _{DD} = 5.0 V ± 10 %	--	--	156	
t _{AA}	Clock Low to Data Out Valid	V _{DD} = (1.71.....) V	--	--	900	ns
t _{BUF}	Bus Free Time between Stop and Start	V _{DD} = (1.71.....) V	1300	--	--	ns
t _{HD_STA}	Start Hold Time	V _{DD} = (1.71.....) V	600	--	--	ns
t _{SU_STA}	Start Set-up Time	V _{DD} = (1.71.....) V	600	--	--	ns
t _{HD_DAT}	Data Hold Time	V _{DD} = (1.71.....) V	0	--	--	ns
t _{SU_DAT}	Data Set-up Time	V _{DD} = (1.71.....) V	100	--	--	ns
t _R	Inputs Rise Time	V _{DD} = (1.71.....) V	--	--	300	ns
t _F	Inputs Fall Time	V _{DD} = (1.71.....) V	--	--	300	ns
t _{SU_STD}	Stop Set-up Time	V _{DD} = (1.71.....) V	600	--	--	ns
t _{DH}	Data Out Hold Time	V _{DD} = (1.71.....) V	50	--	--	ns

tst_out_delay	State Machine Output Delay Time	VDD = 1.8 V ± 5 %	255	--	275	ns
		VDD = 3.3 V ± 10 %	95	--	118	
		VDD = 5.0 V ± 10 %	67	--	77	
tst_out	State Machine Output Transition Time	VDD = 1.8 V ± 5 %	--	--	165	ns
		VDD = 3.3 V ± 10 %	--	--	70	
		VDD = 5.0 V ± 10 %	--	--	46	
tst_pulse	State Machine Input Pulse Acceptance Time	VDD = 1.8 V ± 5 %	29	--	--	ns
		VDD = 3.3 V ± 10 %	14	--	--	
		VDD = 5.0 V ± 10 %	9.2	--	--	
tst_comp	State Machine Input Complete Time	VDD = 1.8 V ± 5 %	--	--	29	ns

1. Guaranteed by Design.

Chip address

HEX	BIN	DEC
0	0000000	0

Description

1. I2C Basic Command Structure

Each command to the I2C Serial Communications block begins with a Control Byte. The bits inside this Control Byte are shown in Figure 1. After the Start bit, the first four bits are a control code, which can be set by the user in `reg<xx:yy>`.

The Block Address is the next three bits (A10, A9, A8), which will define the most significant bits in the addressing of the data to be read ("1") or written ("0") by the command. This Control Byte will be followed by an Acknowledge bit (ACK).

With the exception of the Current Address Read command, all commands will have the Control Byte followed by the Word Address. The Word Address, in conjunction with the three address bits in the Control Byte, will define the specific data byte to be read or written in the command. Figure 1 shows this basic command structure.

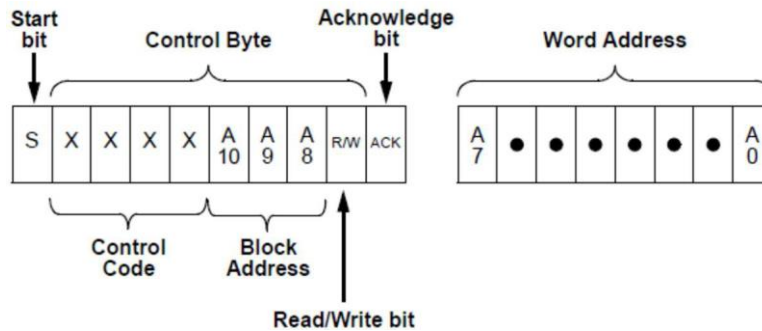


Figure 1. I2C Basic Command Structure

2. I2C Serial General Timing

Shown in Figure 2 is the general timing characteristics for the I2C Serial Communications block.

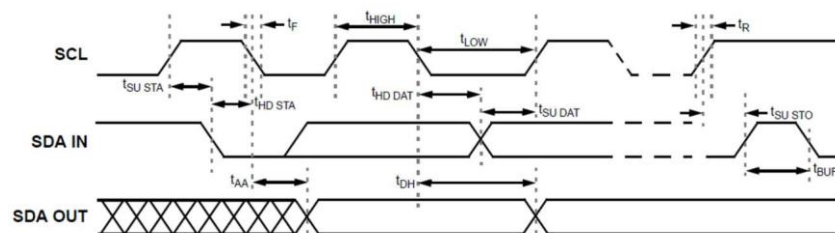


Figure 2. I2C Serial General Timing

3. I2C Serial Communications: Read and Write Commands

Following the Start condition from the master, the Control Code [4 bits], the block address [3 bits] and the R/W bit (set to "0"), is placed onto the bus by the Bus Master. After the I2C Serial Communications block has provided an Acknowledge bit (ACK) the next byte transmitted by the master is the Word Address. The Block Address is the next three bits, and is the higher order addressing bits (A10, A9, A8), which when added to the Word Address will together set the internal address pointer in the SLG46533 to the correct data byte to be written. After the SLG46533 sends another Acknowledge bit, the Bus Master will transmit the data byte to be written into the addressed memory location. The SLG46533 again provides an Acknowledge bit and then the Bus Master generates a Stop condition. The internal write cycle for the data will take place at the time that the SLG46533 generates the Acknowledge bit.

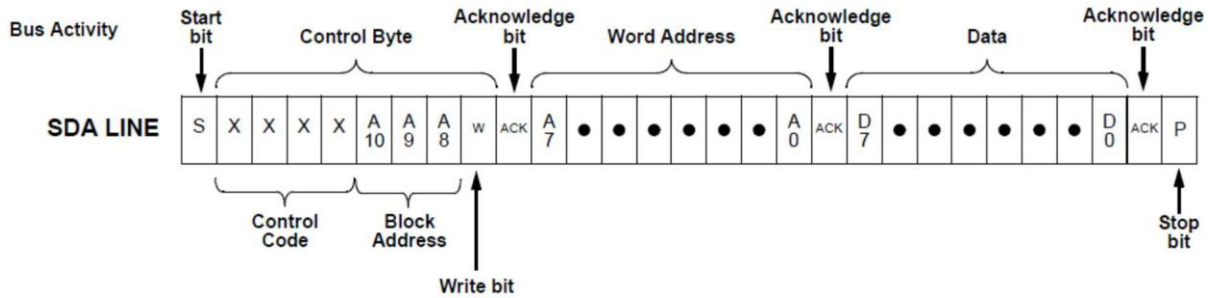


Figure 3. I2C Write Command

The Random Read command starts with a Control Byte (with R/W bit set to “0”, indicating a write command) and Word Address to set the internal byte address, followed by a Start bit, and then the Control Byte for the read (exactly the same as the Byte Write command). The Start bit in the middle of the command will halt the decoding of a Write command, but will set the internal address counter in preparation for the second half of the command. After the Start bit, the Bus Master issues a second control byte with the R/W bit set to “1”, after which the SLG46533 issues an Acknowledge bit, followed by the requested eight data bits.

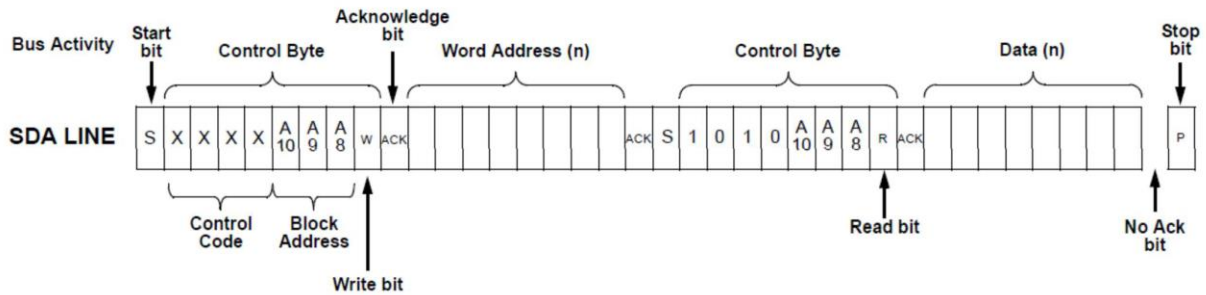


Figure 4. I2C Random Read Command

4. CNT/DLY Settings

The CNT/DLY block registers can be used to change the individual delay times of the delay blocks by changing the control data and the frequency of the clock according to Equation 1. The clock frequency can also be changed by using a clock pre-divider in the OSC0 block.

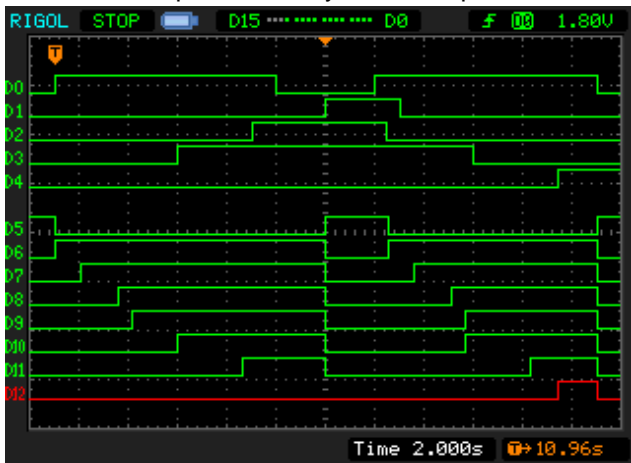
Delay time: $[(\text{Counter Control Data} + 1 + \text{variable}) / \text{Frequency}]$, where $0 \leq \text{variable} \leq 1$;
Equation 1: CNT/DLY Time

Address Byte	Register Bit	Block	Function	Range
0xC0	reg<1543:1536>	DLY2	Counter data from 1 to 255 (default setting is 100)	0x01 to 0xFF
0xC1	reg<1543:1536>	DLY3	Counter data from 1 to 255 (default setting is 50)	0x01 to 0xFF
0xC2	reg<1559:1552>	DLY4	Counter data from 1 to 255 (default setting is 255)	0x01 to 0xFF
0xC3	reg<1567:1560>	CNT5	Counter data from 1 to 255 (default setting is 150)	0x01 to 0xFF

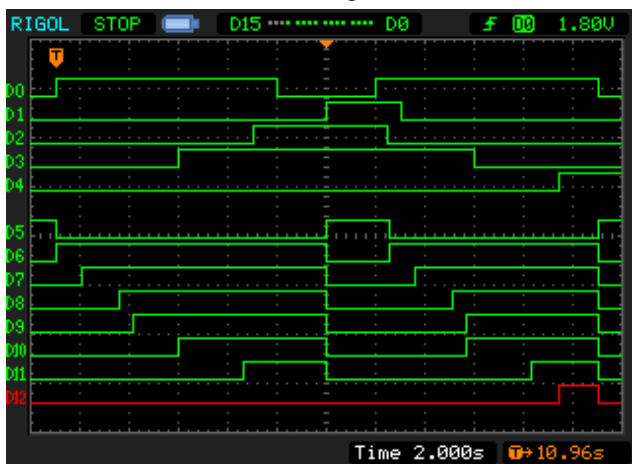
Functionality Waveforms

- D0 – PIN#20 (POWER_ON)
- D1 – PIN#3 (RESET_1)
- D2 – PIN#4 (RESET_2)
- D3 – PIN#5 (S1)
- D4 – OUT0 internal signal, output I2C Serial Communication Block
- D5 – PIN#19 (OFF)
- D6 – PIN#18 (RAIL_1)
- D7 – PIN#17 (RAIL_2)
- D8 – PIN#16 (RAIL_3)
- D9 – PIN#15 (RAIL_4)
- D10 – PIN#14 (RAIL_5)
- D11 – PIN#13 (RAIL_6)
- D12 – PIN#12 (RAIL_7)

1. Chip functionality: Normal operation

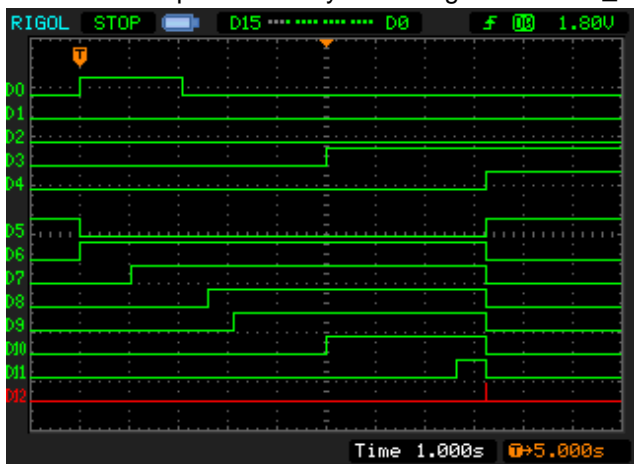


2. Reset function diagram, RESET_1 and RESET_2 are HIGH

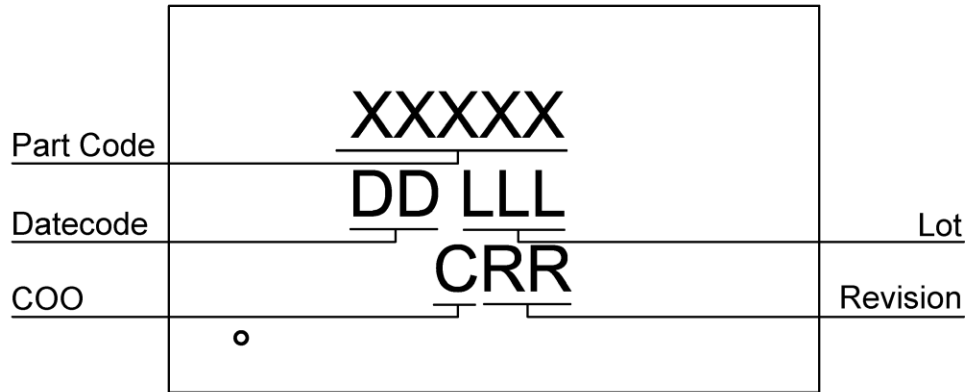


-
- D0 – PIN#20 (POWER_ON)
 - D1 – PIN#3 (RESET_1)
 - D2 – PIN#4 (RESET_2)
 - D3 – PIN#5 (S1)
 - D4 – OUT0 internal signal, output I2C Serial Communication Block
 - D5 – PIN#19 (OFF)
 - D6 – PIN#18 (RAIL_1)
 - D7 – PIN#17 (RAIL_2)
 - D8 – PIN#16 (RAIL_3)
 - D9 – PIN#15 (RAIL_4)
 - D10 – PIN#14 (RAIL_5)
 - D11 – PIN#13 (RAIL_6)
 - D12 – PIN#12 (RAIL_7)

3. Chip functionality: Short signal POWER_ON



Package Top Marking



- XXXXX – Part ID Field: identifies the specific device configuration
- DD – Date Code Field: Coded date of manufacture
- LLL – Lot Code: Designates Lot #
- C – Assembly Site/COO: Specifies Assembly Site/Country of Origin
- RR – Revision Code: Device Revision

Datasheet Revision	Programming Code Number	Locked Status	Part Code	Revision	Date
0.10	001	U			04/03/2017

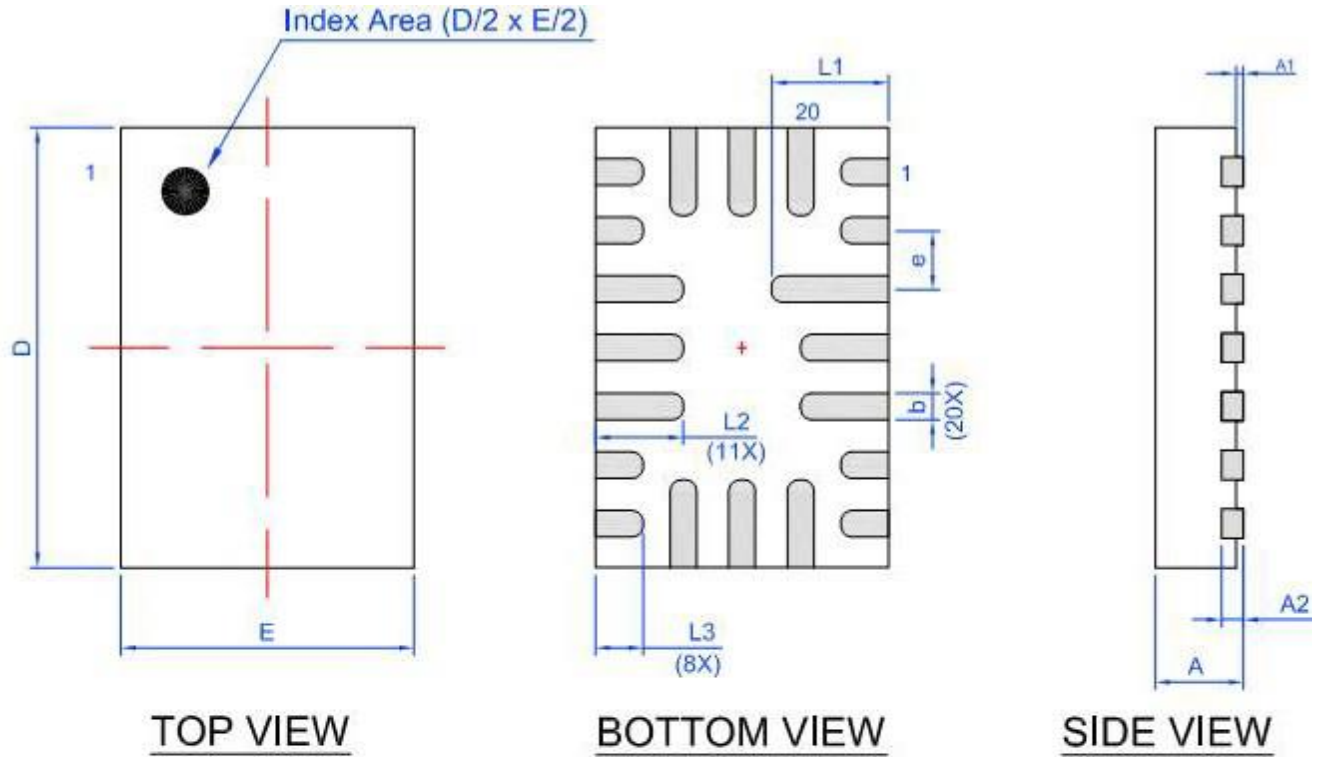
Lock coverage for this part is indicated by \surd , from one of the following options:

\surd	Unlocked
	Locked for read, bits <1535:0>
	Locked for write, bits <1535:0>
	Locked for read and write, bits <1535:0>

The IC security bit is locked/set for code security for production unless otherwise specified. Revision number is not changed for bit locking.

Package Drawing and Dimensions

20 Lead STQFN Package
JEDEC MO-220, Variation WECE



Unit: mm

Symbol	Min	Nom.	Max	Symbol	Min	Nom.	Max
A	0.50	0.55	0.60	D	2.95	3.00	3.05
A1	0.005	-	0.050	E	1.95	2.00	2.05
A2	0.10	0.15	0.20	L1	0.75	0.80	0.85
b	0.13	0.18	0.23	L2	0.55	0.60	0.65
e	0.40 BSC			L3	0.275	0.325	0.375

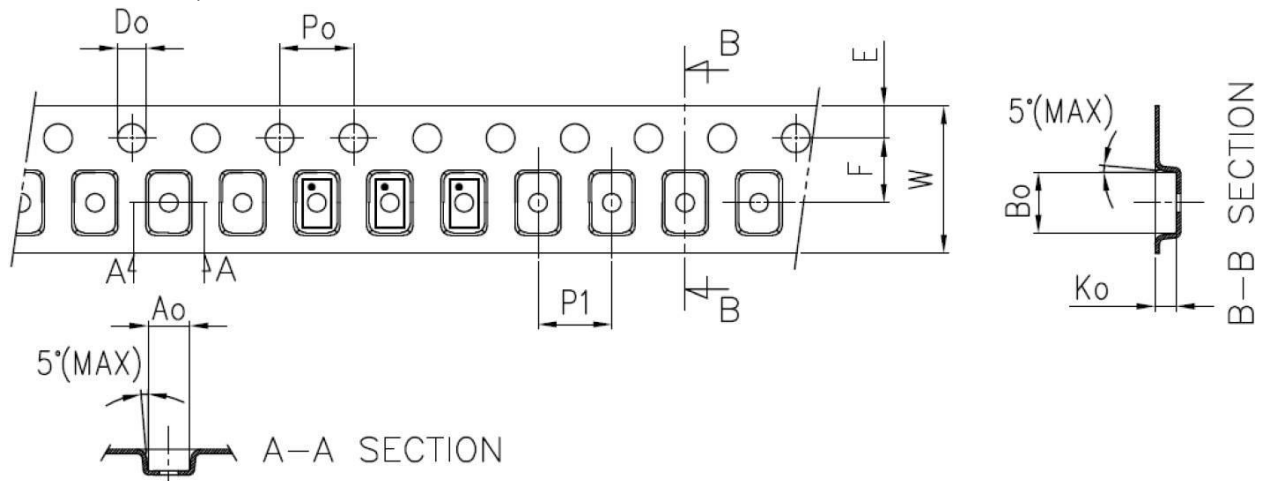
Tape and Reel Specification

Package Type	# of Pins	Nominal Package Size (mm)	Max Units		Reel & Hub Size (mm)	Trailer A		Leader B		Pocket (mm)	
			per reel	per box		Pockets	Length (mm)	Pockets	Length (mm)	Width	Pitch
STQFN 20L 2x3mm 0.4P Green	20	2x3x0.55	3000	3000	178/60	100	400	100	400	8	4

Carrier Tape Drawing and Dimensions

Package Type	Pocket BTM Length (mm)	Pocket BTM Width (mm)	Pocket Depth (mm)	Index Hole Pitch (mm)	Pocket Pitch (mm)	Index Hole Diameter (mm)	Index Hole to Tape Edge (mm)	Index Hole to Pocket Center (mm)	Tape Width (mm)
	A0	B0	K0	P0	P1	D0	E	F	W
STQFN 20L 2x3mm 0.4P Green	2.2	3.15	0.76	4	4	1.5	1.75	3.5	8

Refer to EIA-481 Specifications



Recommended Reflow Soldering Profile

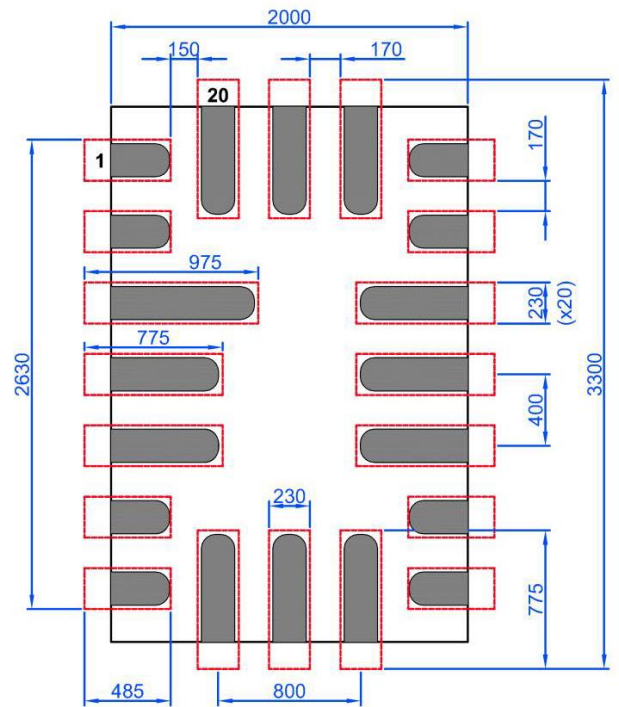
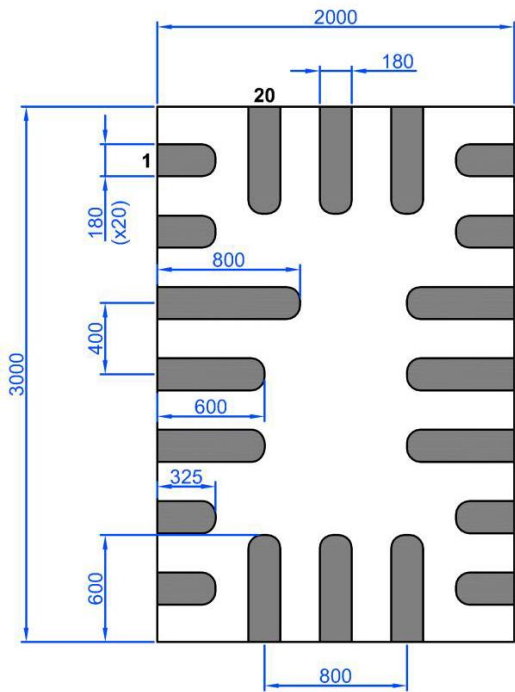
Please see IPC/JEDEC J-STD-020: latest revision for reflow profile based on package volume of 3.3 mm³ (nominal). More information can be found at www.jedec.org.

Recommended Land Pattern

Exposed Pad
(Top View)

Recommended Land Pattern
(Top View)

Units: μm



IMPORTANT NOTICE AND DISCLAIMER

RENESAS ELECTRONICS CORPORATION AND ITS SUBSIDIARIES (“RENESAS”) PROVIDES TECHNICAL SPECIFICATIONS AND RELIABILITY DATA (INCLUDING DATASHEETS), DESIGN RESOURCES (INCLUDING REFERENCE DESIGNS), APPLICATION OR OTHER DESIGN ADVICE, WEB TOOLS, SAFETY INFORMATION, AND OTHER RESOURCES “AS IS” AND WITH ALL FAULTS, AND DISCLAIMS ALL WARRANTIES, EXPRESS OR IMPLIED, INCLUDING, WITHOUT LIMITATION, ANY IMPLIED WARRANTIES OF MERCHANTABILITY, FITNESS FOR A PARTICULAR PURPOSE, OR NON-INFRINGEMENT OF THIRD-PARTY INTELLECTUAL PROPERTY RIGHTS.

These resources are intended for developers who are designing with Renesas products. You are solely responsible for (1) selecting the appropriate products for your application, (2) designing, validating, and testing your application, and (3) ensuring your application meets applicable standards, and any other safety, security, or other requirements. These resources are subject to change without notice. Renesas grants you permission to use these resources only to develop an application that uses Renesas products. Other reproduction or use of these resources is strictly prohibited. No license is granted to any other Renesas intellectual property or to any third-party intellectual property. Renesas disclaims responsibility for, and you will fully indemnify Renesas and its representatives against, any claims, damages, costs, losses, or liabilities arising from your use of these resources. Renesas' products are provided only subject to Renesas' Terms and Conditions of Sale or other applicable terms agreed to in writing. No use of any Renesas resources expands or otherwise alters any applicable warranties or warranty disclaimers for these products.

(Disclaimer Rev.1.01 Jan 2024)

Corporate Headquarters

TOYOSU FORESIA, 3-2-24 Toyosu,
Koto-ku, Tokyo 135-0061, Japan
www.renesas.com

Trademarks

Renesas and the Renesas logo are trademarks of Renesas Electronics Corporation. All trademarks and registered trademarks are the property of their respective owners.

Contact Information

For further information on a product, technology, the most up-to-date version of a document, or your nearest sales office, please visit www.renesas.com/contact-us/.