


Target Board for RX66N Schematic
 (Product No: RTK5RX66N0C00000BJ)

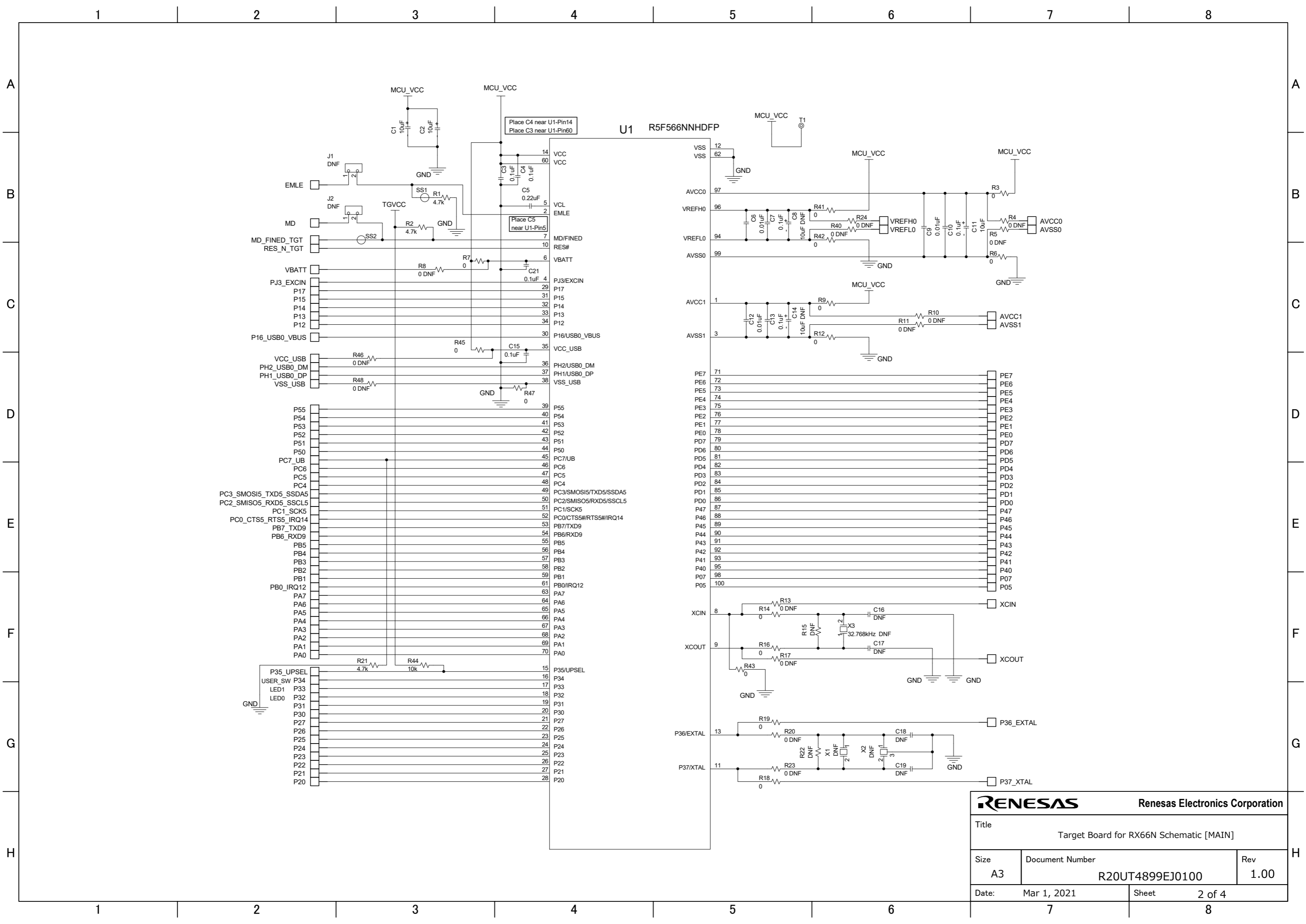
PAGE	DESCRIPTION
1	Index
2	MAIN
3	USER BLOCK
4	Emulator Circuit

Note:

- C, EC : Capacitor
- D : Diode
- R : Fixed Resistor
- U, EU : Integrated Circuit
- X : Crystal, Oscillator
- SW, RES : Switch
- LED : Light Emitting Diode
- J, CN : Connector
- N.C. : Not connected
- ⊖ SS : Short-pad Short-type(Default : Short)
- SO : Short-pad Open-type(Default : Open)

* "DNF" marking means that component is not fitted by default.

		Renesas Electronics Corporation	
Title Target Board for RX66N Schematic [Index]			
Size A3	Document Number R20UT4899EJ0100		Rev 1.00
Date: Mar 1, 2021	Sheet 1 of 4		



RENESAS		Renesas Electronics Corporation	
Title Target Board for RX66N Schematic [MAIN]			
Size A3	Document Number R20UT4899EJ0100	Rev 1.00	
Date: Mar 1, 2021	Sheet 2 of 4		

1 2 3 4 5 6 7 8

A A

B B

C C

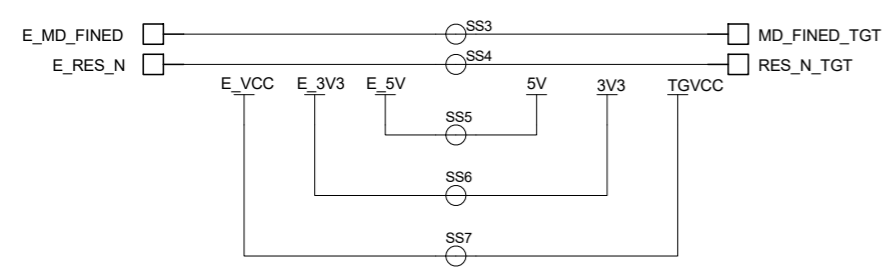
D D

E E

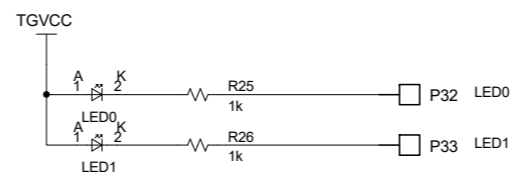
F F

G G

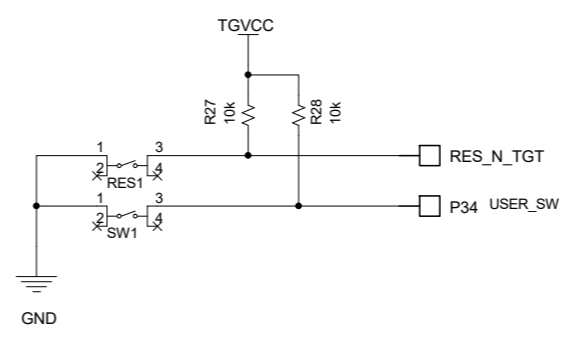
H H



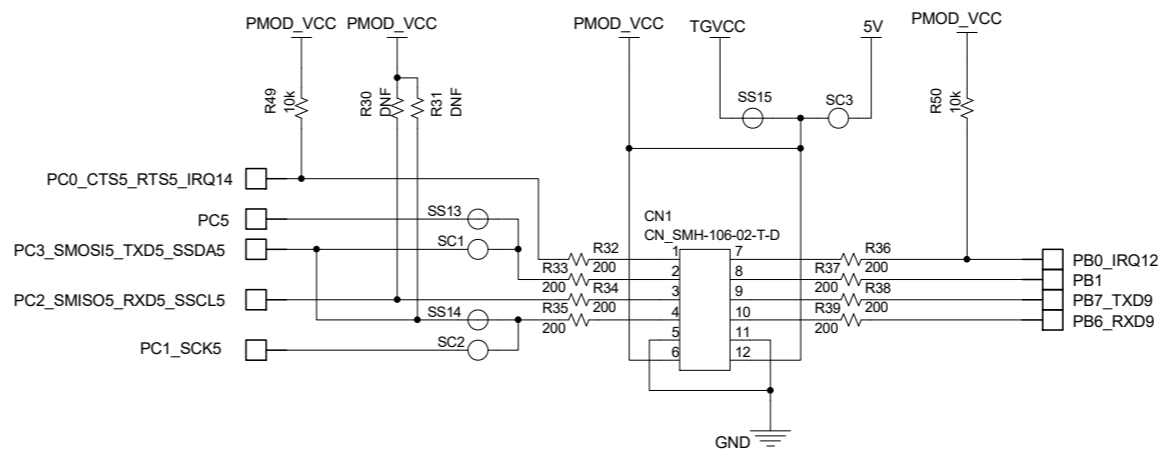
LED



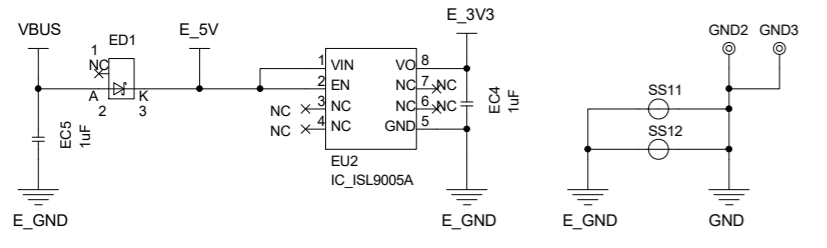
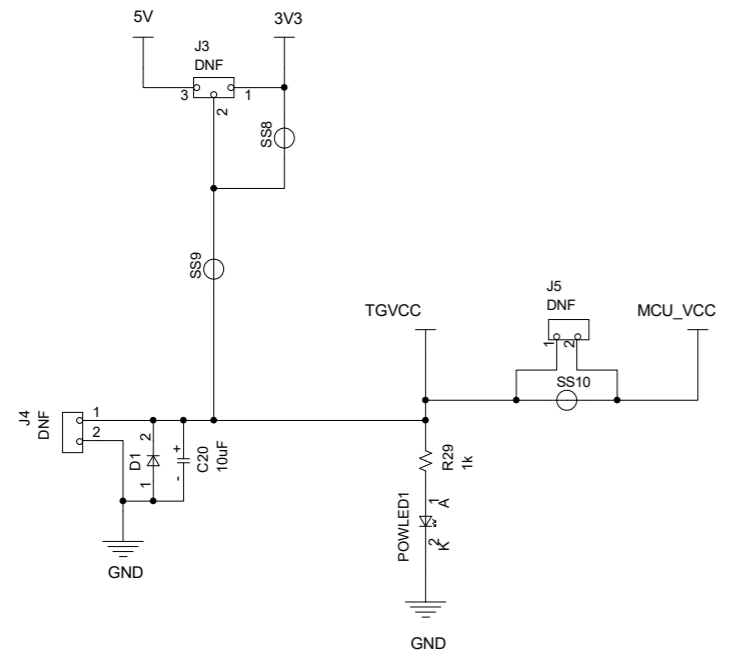
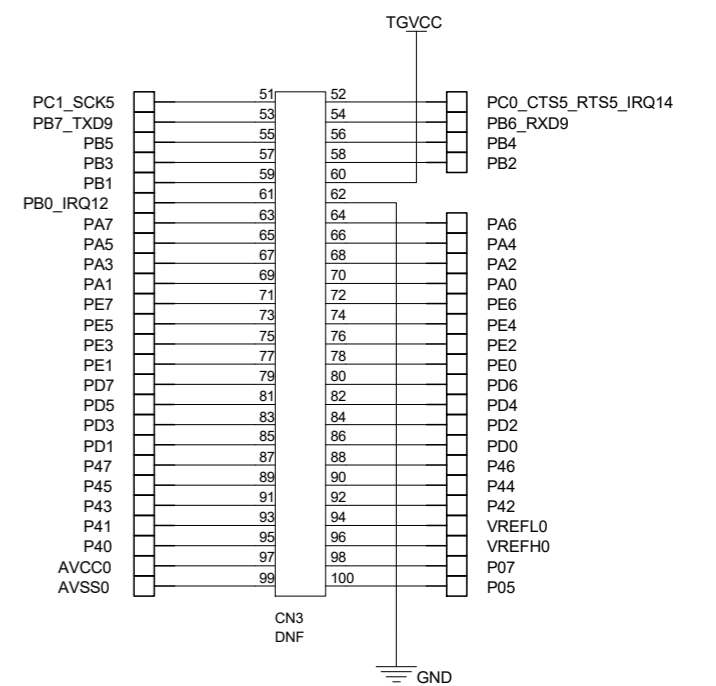
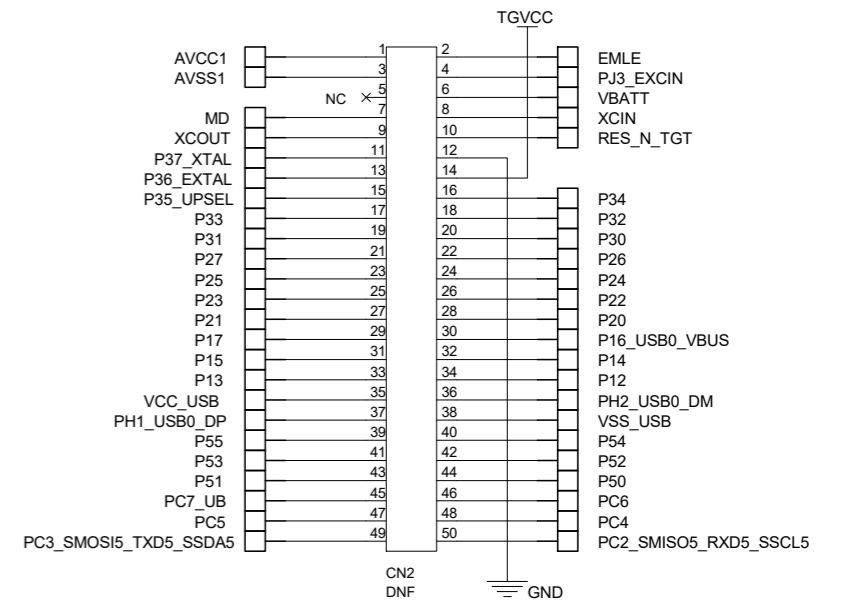
Switch



PMOD



MCU HEADER



RENESAS		Renesas Electronics Corporation	
Title Target Board for RX66N Schematic [USER BLOCK]			
Size A3	Document Number R20UT4899EJ0100	Rev 1.00	
Date: Mar 1, 2021	Sheet 3 of 4		

1 2 3 4 5 6 7 8

1 2 3 4 5 6 7 8

A

A

B

B

C

C

D

D

E

E

F

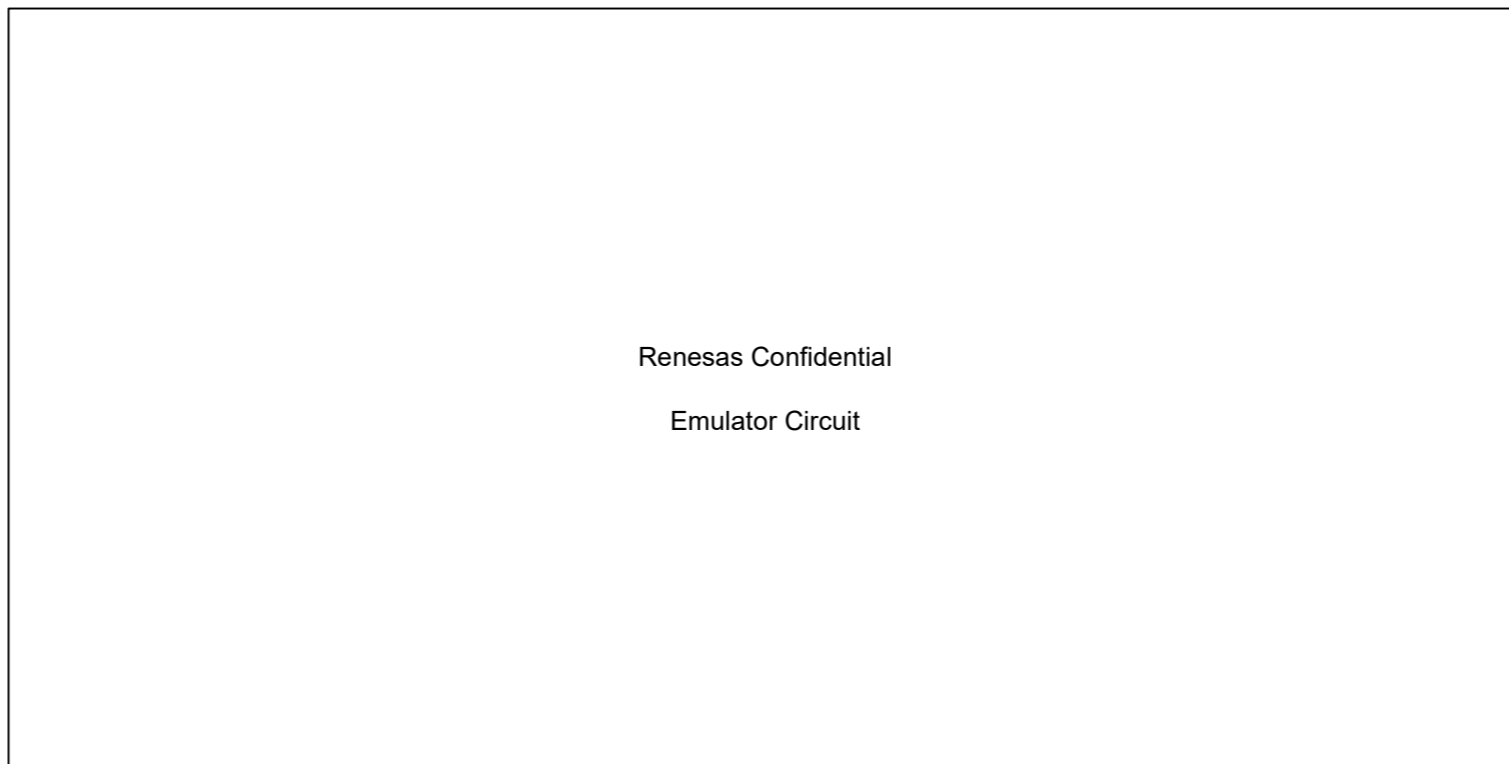
F

G

G

H

H



Renesas Confidential
Emulator Circuit

RENESAS		Renesas Electronics Corporation	
Title Target Board for RX66N Schematic [Emulator Circuit]			
Size A3	Document Number R20UT4899EJ0100		Rev 1.00
Date:	Mar 1, 2021	Sheet	4 of 4

1 2 3 4 5 6 7 8