

Abstract

This tech brief provides a short and simple introduction to operational amplifiers, their functionality, and some basic applications concepts. It is intended for people new to the subject.

Contents

1. Op-Amp Function	2
2. Steady State Voltages	3
3. The Non-Inverting Amplifier	4
4. The Voltage Follower	5
5. The Inverting Amplifier	5
6. The Inverting Voltage Adder	6
7. The Non-Inverting Voltage Adder	7
8. The Difference Amplifier or Voltage Subtractor	7
9. The Integrator	8
10. The Differentiator	9
11. Conclusion	9

List of Figures

Figure 1. Operational Amplifier	2
Figure 2. Amplifier Circuit	2
Figure 3. Model of Non-Inverting Amplifier Circuit.	2
Figure 4. Steady State Voltages of a Non-Inverting Amplifier	4
Figure 5. Non-Inverting Amplifier.	4
Figure 6. Voltage Follower.	5
Figure 7. Inverting Amplifier	5
Figure 8. Determining v_n	6
Figure 9. Inverting Voltage Adder	6
Figure 10. Non-Inverting Voltage Adder	7
Figure 11. Difference Amplifier or Voltage Subtractor	7
Figure 12. Integrating Amplifier	8
Figure 13. Differentiating Amplifier	9

1. Op-Amp Function

An op-amp is a signal amplifier with high DC-gain in the range of 100000 to 10000000. The amplifier has three signal pins:

- A positive or non-inverting signal input (IN+)
- A negative or inverting signal input (IN-)
- A signal output (OUT)

Throughout this tech brief, assume the op-amp to be ideal, meaning:

- Both inputs have infinite input impedance and hence, no input currents flowing into them
- The output impedance is zero and thus, providing infinite current drive

To distinguish between the applied input voltage or voltages and the actual voltage potentials residing at the op-amp input terminals, the latter will be indicated by lowercase letters and indices.

[Figure 1](#) shows the internal signal flow of an op-amp. The input signals at the positive and negative inputs combine at the internal summing point, Σ . Because the signal at IN- is internally inverted, v_n is subtracted from v_p , resulting in the difference voltage $v_d = v_p - v_n$. This voltage is then amplified by the very high amplifier gain to yield the output voltage $V_O = v_d \cdot A$.

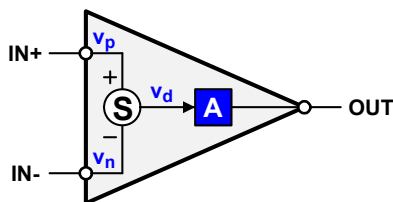


Figure 1. Operational Amplifier

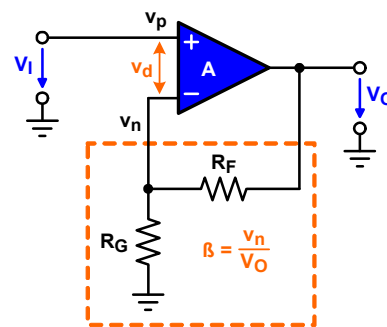


Figure 2. Amplifier Circuit

Op-amps are never used as standalone devices but require an additional voltage divider that couples a fraction of the output voltage back into the negative input ([Figure 2](#)). The attenuation of the voltage divider is known as the feedback factor, β . This factor is important as it determines the overall gain of the amplifier circuit.

This can be proven by converting the circuit in [Figure 2](#) into a signal flow model, using the op-amp's internal structure shown in [Figure 1](#). The resulting model is that of a non-inverting amplifier circuit, because the input voltage is applied to the non-inverting input ([Figure 3 on page 2](#)).

The circuit gain, also known as transfer function, is the ratio of output parameter to input parameter, in this case V_O/V_I .

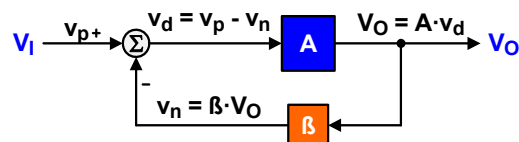


Figure 3. Model of Non-Inverting Amplifier Circuit

To find the transfer function, we establish the equation for each one of the three signal nodes.

$$(EQ. 1) \quad V_O = A \cdot v_d$$

$$(EQ. 2) \quad v_d = V_I - v_n$$

$$(EQ. 3) \quad v_n = \beta \cdot V_O$$

Inserting [Equations 2](#) and [3](#) into [Equation 1](#) gives $V_O = A$ and solving for V_O/V_I results:

$$(EQ. 4) \quad \frac{V_O}{V_I} = \frac{A}{1 + A \cdot \beta}$$

Dividing the nominator and denominator through $A\beta$ yields:

$$(EQ. 5) \quad \frac{V_O}{V_I} = \frac{1}{\beta} \cdot \frac{1}{1 + \frac{1}{A \cdot \beta}}$$

where

$\frac{1}{\beta}$ presents the ideal circuit gain

and

$\frac{1}{1 + \frac{1}{A \cdot \beta}}$ the gain accuracy

Let's assume two amplifier circuits, both of which have the same feedback factor of $\beta = 0.1$, but different op-amp gains of $A_1 = 10000$ and $A_2 = 100000$. Per [Equation 5](#) the resulting circuit gains G_1 and G_2 are:

$$G_1 = \frac{V_O}{V_I} = \frac{1}{\beta} \cdot \frac{1}{1 + \frac{1}{A_1 \cdot \beta}} = \frac{1}{0.1} \cdot \frac{1}{1 + \frac{1}{10^4 \cdot 0.1}} = 10 \cdot 0.999 = 9.990$$

$$G_2 = \frac{V_O}{V_I} = \frac{1}{\beta} \cdot \frac{1}{1 + \frac{1}{A_2 \cdot \beta}} = \frac{1}{0.1} \cdot \frac{1}{1 + \frac{1}{10^5 \cdot 0.1}} = 10 \cdot 0.9999 = 9.999$$

While the ideal gain is the same in both cases, the gain accuracy is higher in the circuit with the higher op-amp gain.

In summary:

- (1) The feedback factor, β , defines the ideal circuit gain.
- (2) The op-amp gain, A , determines how close the real circuit gain approximates the ideal value.

2. Steady State Voltages

When applying an input voltage step (V_I) to the circuit in [Figure 4](#), the amplifier output (V_O) increases steadily and so does the output of the voltage divider (v_n), although at a slower rate.

Both voltages continue to rise until v_n is so close to V_I that their difference (v_d) is equal to V_O/A . At this moment, an equilibrium between the op-amp input and output is reached. This is known as the steady state, because no further voltage movements occur unless the input voltage is changed again.

Note that v_n will never reach V_I , otherwise v_d would be 0V, which would make the output = 0V. Thus, there is always a minimum differential input required to maintain V_O at the correct, amplified level. This minimum v_d can be

calculated by dividing the output voltage through the op-amp gain: $v_d = V_O/A$. For example, an op-amp with a gain of 100000 requires a minimum differential input of $50\mu\text{V}$ to produce a 5V output.

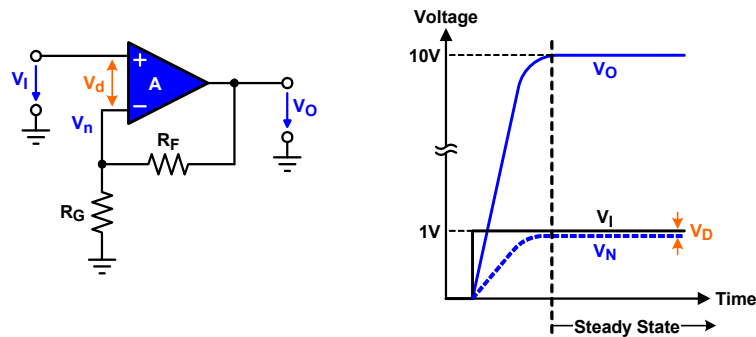


Figure 4. Steady State Voltages of a Non-Inverting Amplifier

In comparison to the amplifiers input and output voltage levels however, v_d is so small that it is assumed to be 0V. Therefore, when evaluating the transfer function of an amplifier circuit, start with this single, most important condition:

$$v_p = v_n$$

3. The Non-Inverting Amplifier

While the previous sections used the non-inverting amplifier to outline some basic op-amp concepts, this section solely focuses on deriving its output voltage equation for practice purposes. **Note that the signal grounds for input and output voltages have been omitted for clarity.**

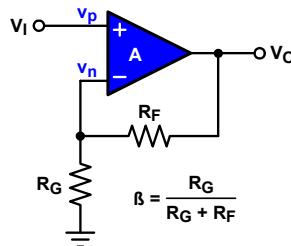


Figure 5. Non-Inverting Amplifier

Starting with the fundamental condition:

$$(EQ. 6) \quad v_p = v_n$$

Each voltage at the input terminals is defined. In the case of v_p , this is easy because the input voltage is also the voltage at the positive input:

$$(EQ. 7) \quad v_p = V_I$$

With regards to v_n , this voltage is the output of the R_F , R_G voltage divider with V_O as the driving source. Thus:

$$(EQ. 8) \quad v_n = V_O \cdot \frac{R_G}{R_G + R_F}$$

Because of [Equation 6](#), set [Equation 7](#) equal to [Equation 8](#)

$$(EQ. 9) \quad V_I = V_O \cdot \frac{R_G}{R_G + R_F}$$

Then solving for V_O gives:

$$(EQ. 10) \quad V_O = V_I \cdot \frac{R_G + R_F}{R_G} = V_I \cdot \left(1 + \frac{R_F}{R_G}\right)$$

The output voltage of the non-inverting amplifier in [Figure 5](#) is therefore given with

$$(EQ. 11) \quad V_O = V_I \cdot \left(1 + \frac{R_F}{R_G}\right)$$

4. The Voltage Follower

The voltage follower is a non-inverting amplifier with a gain of 1, also known as unity-gain. Because $v_p = v_n$ and $V_I = v_p$ and $V_O = v_n$, it follows that $V_O = V_I$. Voltage followers are used as signal buffers or impedance converters, as they offer high input impedance to a driving signal source while providing low output impedance to signal loads.

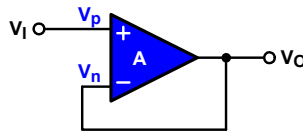


Figure 6. Voltage Follower

5. The Inverting Amplifier

The inverting amplifier seems a bit trickier because the input voltage is now applied to one end of the voltage divider to reach the negative input, while the positive input is grounded or 0V. Nevertheless, the $v_p = v_n$ condition still holds true.

Again, starting with

$$(EQ. 12) \quad v_p = v_n$$

v_p is defined with 0V because the positive input is directly connected to signal ground.

$$(EQ. 13) \quad v_p = 0$$

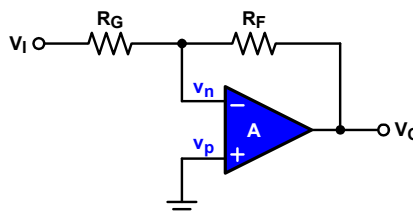
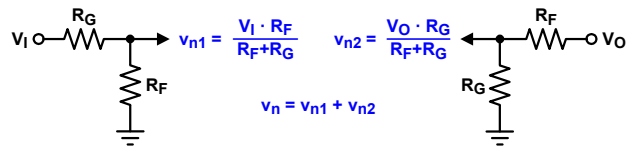


Figure 7. Inverting Amplifier

To determine v_n , observe that v_n is the summing point of a voltage divider that is driven by two voltage sources, V_O and V_I . Thus, when establishing the voltage divider ratio for V_I , assume $V_O = 0V$ and conversely, when establishing the voltage divider ratio for V_O , assume $V_I = 0V$. The sum of the output voltages of the two voltage divider calculations then gives v_n ([Figure 8 on page 6](#)).

Figure 8. Determining v_n

$$(EQ. 14) \quad v_n = V_I \cdot \frac{R_F}{R_F + R_G} + V_O \cdot \frac{R_G}{R_F + R_G}$$

According to [Equations 12](#) and [13](#), $v_n = 0$, which makes the V_O term equaling the V_I term:

$$(EQ. 15) \quad V_O \cdot \frac{R_G}{R_F + R_G} = -V_I \cdot \frac{R_F}{R_F + R_G}$$

Solving for V_O gives:

$$(EQ. 16) \quad V_O = V_I \cdot \left(-\frac{R_F}{R_F + R_G} \right) \cdot \frac{R_F + R_G}{R_G} = -V_I \cdot \frac{R_F}{R_G}$$

The output voltage of the inverting amplifier in [Figure 7 on page 5](#) is given with

$$V_O = -V_I \cdot \frac{R_F}{R_G}$$

The negative sign indicates the signal inversion or a 180° phase shift from input to output.

6. The Inverting Voltage Adder

Extending the number of inputs of an inverting amplifier leads to the inverting voltage adder in [Figure 9](#).

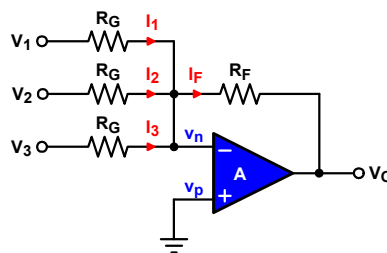


Figure 9. Inverting Voltage Adder

To define v_n , we apply Kirchhoff's Current Law (KCL) which states that the currents flowing into a node equal the currents flowing out of it, in this case $I_1 + I_2 + I_3 = I_F$. We then describe each current through its voltage/resistor ratio:

$$(EQ. 17) \quad \frac{V_1 - v_n}{R_G} + \frac{V_2 - v_n}{R_G} + \frac{V_3 - v_n}{R_G} = \frac{v_n - V_O}{R_F}$$

With $v_n = v_p = 0$, [Equation 17](#) simplifies to

$$\frac{V_1}{R_G} + \frac{V_2}{R_G} + \frac{V_3}{R_G} = \frac{-V_O}{R_F}$$

and solving for V_O gives:

$$(EQ. 18) \quad V_O = -(V_1 + V_2 + V_3) \cdot \frac{R_F}{R_G}$$

7. The Non-Inverting Voltage Adder

This circuit uses the non-inverting amplifier configuration as its basis. The input circuit below is a voltage adder with an average voltage of:

$$(EQ. 19) \quad v_p = \frac{V_1 + V_2 + V_3}{3}$$

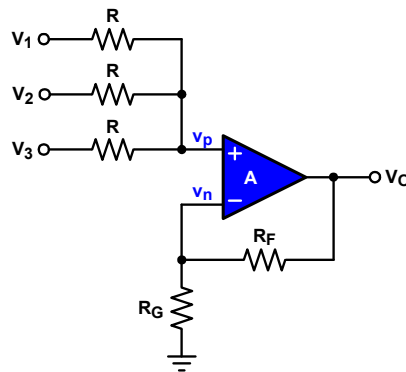


Figure 10. Non-Inverting Voltage Adder

With

$$v_n = V_O \cdot \frac{R_G}{R_G + R_F}$$

and making $v_p = v_n$ gives:

$$(EQ. 20) \quad \frac{V_1 + V_2 + V_3}{3} = V_O \cdot \frac{R_G}{R_G + R_F}$$

Then solving for V_O results:

$$(EQ. 21) \quad V_O = \frac{V_1 + V_2 + V_3}{3} \cdot \left(1 + \frac{R_F}{R_G}\right)$$

8. The Difference Amplifier or Voltage Subtractor

The difference amplifier combines the functions of a non-inverting amplifier with input V_1 and an inverting amplifier with input V_2 .

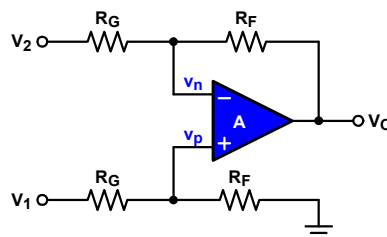


Figure 11. Difference Amplifier or Voltage Subtractor

The voltages at the op-amp input terminals are

$$v_p = V_1 \cdot \frac{R_F}{R_F + R_G}$$

and

$$v_n = V_2 \cdot \frac{R_F}{R_F + R_G} + V_O \cdot \frac{R_G}{R_G + R_F}$$

Setting both terms equal and solving for V_O yields:

$$(EQ. 22) \quad V_O = (V_1 - V_2) \cdot \frac{R_F}{R_G}$$

9. The Integrator

This circuit integrates the input voltage over time. To find the output equation we recall the capacitor's law,

$$I_C = C \cdot \frac{dV_C}{dt}$$

meaning the charge current, I_C , equals the product of capacitance, C , and the voltage change across the capacitor, dV_C , over the time interval, dt .

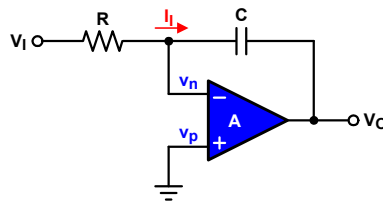


Figure 12. Integrating Amplifier

Now, V_C is the difference between v_n and V_O : $V_C = v_n - V_O$. Because no current flows into the op-amp, the charge current is also the input current I_I , which is defined by

$$I_I = \frac{(V_1 - v_n)}{R}$$

Thus, the capacitor's law can be rewritten in the form of

$$\frac{(V_1 - v_n)}{R} = C \cdot \frac{d(v_n - V_O)}{dt}$$

With $v_n = v_p = 0V$, this equation simplifies to

$$\frac{V_1}{R} = C \cdot \frac{(-dV_O)}{dt}$$

Then solving for dV_O gives

$$dV_O = -V_1 \cdot \frac{dt}{(R \cdot C)}$$

and integrating on both sides results:

$$(EQ. 23) \quad V_O(t) = \frac{-1}{RC} \int_0^t V_I(t) dt + V_O(0)$$

The op-amp integrator is used in many electronic applications, such as function generators to produce triangle and saw-tooth waveforms, as well as in active filters, A-to-D converters, and analog control loops.

10. The Differentiator

The analysis of the differentiator is similar to the one of the integrator. Because the current through the capacitor and the resistor is the same, it follows that

$$C \cdot \frac{d(V_I - v_n)}{dt} = \frac{(v_n - V_O)}{R}$$

and with $v_n = 0$,

$$C \cdot \frac{dV_I}{dt} = \frac{-V_O}{R}$$

Then, solving for V_O gives:

$$(EQ. 24) \quad V_O = -RC \cdot \frac{dV_I(t)}{dt}$$

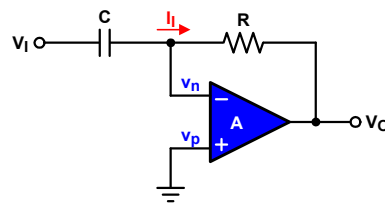


Figure 13. Differentiating Amplifier

The output is proportional to the derivative of the input with RC providing a constant of proportionality.

11. Conclusion

The basic op-amp circuits in this tech brief show that by interconnecting passive component networks around the op-amp, it can be configured for a variety of operations, such as multiplying by a constant, adding, subtracting, integrating, and differentiating. This explains why this amplifier is called operational.

12. Revision History

Rev.	Date	Description
0.00	May 1, 2018	Initial release

Notice

1. Descriptions of circuits, software and other related information in this document are provided only to illustrate the operation of semiconductor products and application examples. You are fully responsible for the incorporation or any other use of the circuits, software, and information in the design of your product or system. Renesas Electronics disclaims any and all liability for any losses and damages incurred by you or third parties arising from the use of these circuits, software, or information.
2. Renesas Electronics hereby expressly disclaims any warranties against and liability for infringement or any other claims involving patents, copyrights, or other intellectual property rights of third parties, by or arising from the use of Renesas Electronics products or technical information described in this document, including but not limited to, the product data, drawings, charts, programs, algorithms, and application examples.
3. No license, express, implied or otherwise, is granted hereby under any patents, copyrights or other intellectual property rights of Renesas Electronics or others.
4. You shall not alter, modify, copy, or reverse engineer any Renesas Electronics product, whether in whole or in part. Renesas Electronics disclaims any and all liability for any losses or damages incurred by you or third parties arising from such alteration, modification, copying or reverse engineering.
5. Renesas Electronics products are classified according to the following two quality grades: "Standard" and "High Quality". The intended applications for each Renesas Electronics product depends on the product's quality grade, as indicated below.
"Standard": Computers; office equipment; communications equipment; test and measurement equipment; audio and visual equipment; home electronic appliances; machine tools; personal electronic equipment; industrial robots; etc.
"High Quality": Transportation equipment (automobiles, trains, ships, etc.); traffic control (traffic lights); large-scale communication equipment; key financial terminal systems; safety control equipment; etc.
Unless expressly designated as a high reliability product or a product for harsh environments in a Renesas Electronics data sheet or other Renesas Electronics document, Renesas Electronics products are not intended or authorized for use in products or systems that may pose a direct threat to human life or bodily injury (artificial life support devices or systems; surgical implantations; etc.), or may cause serious property damage (space system; undersea repeaters; nuclear power control systems; aircraft control systems; key plant systems; military equipment; etc.). Renesas Electronics disclaims any and all liability for any damages or losses incurred by you or any third parties arising from the use of any Renesas Electronics product that is inconsistent with any Renesas Electronics data sheet, user's manual or other Renesas Electronics document.
6. When using Renesas Electronics products, refer to the latest product information (data sheets, user's manuals, application notes, "General Notes for Handling and Using Semiconductor Devices" in the reliability handbook, etc.), and ensure that usage conditions are within the ranges specified by Renesas Electronics with respect to maximum ratings, operating power supply voltage range, heat dissipation characteristics, installation, etc. Renesas Electronics disclaims any and all liability for any malfunctions, failure or accident arising out of the use of Renesas Electronics products outside of such specified ranges.
7. Although Renesas Electronics endeavors to improve the quality and reliability of Renesas Electronics products, semiconductor products have specific characteristics, such as the occurrence of failure at a certain rate and malfunctions under certain use conditions. Unless designated as a high reliability product or a product for harsh environments in a Renesas Electronics data sheet or other Renesas Electronics document, Renesas Electronics products are not subject to radiation resistance design. You are responsible for implementing safety measures to guard against the possibility of bodily injury, injury or damage caused by fire, and/or danger to the public in the event of a failure or malfunction of Renesas Electronics products, such as safety design for hardware and software, including but not limited to redundancy, fire control and malfunction prevention, appropriate treatment for aging degradation or any other appropriate measures. Because the evaluation of microcomputer software alone is very difficult and impractical, you are responsible for evaluating the safety of the final products or systems manufactured by you.
8. Please contact a Renesas Electronics sales office for details as to environmental matters such as the environmental compatibility of each Renesas Electronics product. You are responsible for carefully and sufficiently investigating applicable laws and regulations that regulate the inclusion or use of controlled substances, including without limitation, the EU RoHS Directive, and using Renesas Electronics products in compliance with all these applicable laws and regulations. Renesas Electronics disclaims any and all liability for damages or losses occurring as a result of your noncompliance with applicable laws and regulations.
9. Renesas Electronics products and technologies shall not be used for or incorporated into any products or systems whose manufacture, use, or sale is prohibited under any applicable domestic or foreign laws or regulations. You shall comply with any applicable export control laws and regulations promulgated and administered by the governments of any countries asserting jurisdiction over the parties or transactions.
10. It is the responsibility of the buyer or distributor of Renesas Electronics products, or any other party who distributes, disposes of, or otherwise sells or transfers the product to a third party, to notify such third party in advance of the contents and conditions set forth in this document.
11. This document shall not be reprinted, reproduced or duplicated in any form, in whole or in part, without prior written consent of Renesas Electronics.
12. Please contact a Renesas Electronics sales office if you have any questions regarding the information contained in this document or Renesas Electronics products.
(Note 1) "Renesas Electronics" as used in this document means Renesas Electronics Corporation and also includes its directly or indirectly controlled subsidiaries.
(Note 2) "Renesas Electronics product(s)" means any product developed or manufactured by or for Renesas Electronics.

(Rev.4.0-1 November 2017)



SALES OFFICES

Renesas Electronics Corporation

<http://www.renesas.com>

Refer to "<http://www.renesas.com/>" for the latest and detailed information.

Renesas Electronics America Inc.

1001 Murphy Ranch Road, Milpitas, CA 95035, U.S.A.
Tel: +1-408-432-8888, Fax: +1-408-434-5351

Renesas Electronics Canada Limited

9251 Yonge Street, Suite 8309 Richmond Hill, Ontario Canada L4C 9T3
Tel: +1-905-237-2004

Renesas Electronics Europe Limited

Dukes Meadow, Millboard Road, Bourne End, Buckinghamshire, SL8 5FH, U.K
Tel: +44-1628-651-700, Fax: +44-1628-651-804

Renesas Electronics Europe GmbH

Arcadiastrasse 10, 40472 Düsseldorf, Germany
Tel: +49-211-6503-0, Fax: +49-211-6503-1327

Renesas Electronics (China) Co., Ltd.

Room 1709 Quantum Plaza, No.27 ZhichunLu, Haidian District, Beijing, 100191 P. R. China
Tel: +86-10-8235-1155, Fax: +86-10-8235-7679

Renesas Electronics (Shanghai) Co., Ltd.

Unit 301, Tower A, Central Towers, 555 Langao Road, Putuo District, Shanghai, 200333 P. R. China
Tel: +86-21-2226-0888, Fax: +86-21-2226-0999

Renesas Electronics Hong Kong Limited

Unit 1601-1611, 16/F., Tower 2, Grand Century Place, 193 Prince Edward Road West, Mongkok, Kowloon, Hong Kong
Tel: +852-2265-6688, Fax: +852 2886-9022

Renesas Electronics Taiwan Co., Ltd.

13F, No. 363, Fu Shing North Road, Taipei 10543, Taiwan
Tel: +886-2-8175-9600, Fax: +886 2-8175-9670

Renesas Electronics Singapore Pte. Ltd.

80 Bendemeer Road, Unit #06-02 Hyflux Innovation Centre, Singapore 339949
Tel: +65-6213-0200, Fax: +65-6213-0300

Renesas Electronics Malaysia Sdn.Bhd.

Unit 1207, Block B, Menara Amcorp, Amcorp Trade Centre, No. 18, Jln Persiaran Barat, 46050 Petaling Jaya, Selangor Darul Ehsan, Malaysia
Tel: +60-3-7955-9390, Fax: +60-3-7955-9510

Renesas Electronics India Pvt. Ltd.

No.777C, 100 Feet Road, HAL 2nd Stage, Indiranagar, Bangalore 560 038, India
Tel: +91-80-67208700, Fax: +91-80-67208777

Renesas Electronics Korea Co., Ltd.

17F, KAMCO Yangjae Tower, 262, Gangnam-daero, Gangnam-gu, Seoul, 06265 Korea
Tel: +82-2-558-3737, Fax: +82-2-558-5338