

## Product Change Notice (PCN)

**Subject:** Addition of back-end production for general-purpose linear IC products (SOP package products)

**Publication Date:** 6/30/2023

**Effective Date:** 1/26/2024

**Revision Description:**

Initial Release

**Description of Change:**

This notice is to propose the addition of a Back-End Factory.

< Products >

Operational amplifier ICs, Comparator ICs, Reset ICs (SOP package products)

< Production site >

	Production site
Back-end production Additional plant	UTL: UTAC Thai Limited (Thailand)

< Part number >

Since the plating and wire specifications are different, Part number will be changed.

Current products	UTL products
UPCxxx -A	High Quality Level: UPCxxx -AX
	Standard Quality Level: UPCxxx -AP
REAxxxxSM#GC0 (Last number*)	REAxxxxSM#GCA (Last alphabet*)

\* Please see product List for details

< Material >

Some materials are different, but this material has been mass-produced.

Material	Current products	UTL products
Lead frame	Fe-based	Cu-based (Palladium Pre-Plated Lead Frame)
Resin	Epoxy Resin	Epoxy Resin (Halogen Free)
Plating	Sn-Bi	Pd (Palladium Pre-Plated Lead Frame)
Wire	Au(23um/20um)	High Quality Level: Au(25um)
		Standard Quality Level: Cu(25um)

**Affected Product List:**

**SOP-8 :**

No	Part number: Current	Part number: UTL	Wire: UTL	Quality Level
1	UPC1251AG2(20)-E2-A	UPC1251AG2(20)-E2-AX	Au	High
2	UPC1251EG2(22)-A	UPC1251EG2(22)-AX	Au	High
3	UPC1251EG2(22)-E2-A	UPC1251EG2(22)-E2-AX	Au	High
4	UPC1251EG2(3)-E2-A	UPC1251EG2(3)-E2-AP	Cu	Standard
5	UPC1251EG2(31)-A	UPC1251EG2(31)-AX	Au	High
6	UPC1251EG2(31)-E2-A	UPC1251EG2(31)-E2-AX	Au	High
7	UPC1251EG2-E2-A	UPC1251EG2-E2-AP	Cu	Standard
8	UPC1251G2(20)-E1-A	UPC1251G2(20)-E1-AX	Au	High
9	UPC1251G2(20)-E2-A	UPC1251G2(20)-E2-AX	Au	High
10	UPC1251G2(21)-E2-A	UPC1251G2(21)-E2-AX	Au	High
11	UPC1251G2(22)-A	UPC1251G2(22)-AX	Au	High
12	UPC1251G2(22)-E2-A	UPC1251G2(22)-E2-AX	Au	High
13	UPC1251G2(23)-E1-A	UPC1251G2(23)-E1-AX	Au	High
14	UPC1251G2(23)-E2-A	UPC1251G2(23)-E2-AX	Au	High
15	UPC1251G2(25)-E1-A	UPC1251G2(25)-E1-AX	Au	High
16	UPC1251G2(28)-E1-A	UPC1251G2(28)-E1-AX	Au	High
17	UPC1251G2(28)-E2-A	UPC1251G2(28)-E2-AX	Au	High
18	UPC1251G2(3)-A	UPC1251G2(3)-AP	Cu	Standard
19	UPC1251G2(3)-E1-A	UPC1251G2(3)-E1-AP	Cu	Standard
20	UPC1251G2(3)-E2-A	UPC1251G2(3)-E2-AP	Cu	Standard
21	UPC1251G2(31)-A	UPC1251G2(31)-AX	Au	High
22	UPC1251G2(31)-E2-A	UPC1251G2(31)-E2-AX	Au	High
23	UPC1251G2(5)-A	UPC1251G2(5)-AP	Cu	Standard
24	UPC1251G2(5)-E1-A	UPC1251G2(5)-E1-AP	Cu	Standard
25	UPC1251G2(5)-E2-A	UPC1251G2(5)-E2-AP	Cu	Standard
26	UPC1251G2(60)-E2-A	UPC1251G2(60)-E2-AX	Au	High
27	UPC1251G2(61)-E2-A	UPC1251G2(61)-E2-AX	Au	High
28	UPC1251G2(63)-E2-A	UPC1251G2(63)-E2-AX	Au	High
29	UPC1251G2(65)-E2-A	UPC1251G2(65)-E2-AX	Au	High
30	UPC1251G2(68)-E1-A	UPC1251G2(68)-E1-AX	Au	High
31	UPC1251G2-A	UPC1251G2-AP	Cu	Standard
32	UPC1251G2-E1-A	UPC1251G2-E1-AP	Cu	Standard
33	UPC1251G2-E2-A	UPC1251G2-E2-AP	Cu	Standard
34	UPC1458G2-A	UPC1458G2-AP	Cu	Standard
35	UPC1458G2-E1-A	UPC1458G2-E1-AP	Cu	Standard
36	UPC1458G2-E2-A	UPC1458G2-E2-AP	Cu	Standard
37	UPC251G2-A	UPC251G2-AP	Cu	Standard
38	UPC251G2-E1-A	UPC251G2-E1-AP	Cu	Standard
39	UPC251G2-E2-A	UPC251G2-E2-AP	Cu	Standard
40	UPC258G2-A	UPC258G2-AP	Cu	Standard
41	UPC258G2-E1-A	UPC258G2-E1-AP	Cu	Standard
42	UPC258G2-E2-A	UPC258G2-E2-AP	Cu	Standard
43	UPC259G2(35)-A	UPC259G2(35)-AX	Au	High
44	UPC259G2-A	UPC259G2-AP	Cu	Standard
45	UPC259G2-E1-A	UPC259G2-E1-AP	Cu	Standard
46	UPC259G2-E2-A	UPC259G2-E2-AP	Cu	Standard
47	UPC271G2(20)-E2-A	UPC271G2(20)-E2-AX	Au	High
48	UPC271G2(21)-E2-A	UPC271G2(21)-E2-AX	Au	High
49	UPC271G2-A	UPC271G2-AP	Cu	Standard
50	UPC271G2-E1-A	UPC271G2-E1-AP	Cu	Standard
51	UPC271G2-E2-A	UPC271G2-E2-AP	Cu	Standard
52	UPC277G2(20)-E1-A	UPC277G2(20)-E1-AX	Au	High
53	UPC277G2(20)-E2-A	UPC277G2(20)-E2-AX	Au	High
54	UPC277G2(21)-E1-A	UPC277G2(21)-E1-AX	Au	High
55	UPC277G2(21)-E2-A	UPC277G2(21)-E2-AX	Au	High
56	UPC277G2(22)-A	UPC277G2(22)-AX	Au	High
57	UPC277G2(22)-E2-A	UPC277G2(22)-E2-AX	Au	High
58	UPC277G2(25)-E1-A	UPC277G2(25)-E1-AX	Au	High
59	UPC277G2(25)-E2-A	UPC277G2(25)-E2-AX	Au	High
60	UPC277G2(3)-E1-A	UPC277G2(3)-E1-AP	Cu	Standard

## SOP-8 :

No	Part number: Current	Part number: UTL	Wire: UTL	Quality Level
61	UPC277G2(3)-E2-A	UPC277G2(3)-E2-AP	Cu	Standard
62	UPC277G2(31)-A	UPC277G2(31)-AX	Au	High
63	UPC277G2(5)-E1-A	UPC277G2(5)-E1-AP	Cu	Standard
64	UPC277G2(5)-E2-A	UPC277G2(5)-E2-AP	Cu	Standard
65	UPC277G2(50)-E1-A	UPC277G2(50)-E1-AP	Cu	Standard
66	UPC277G2(60)-E2-A	UPC277G2(60)-E2-AX	Au	High
67	UPC277G2(61)-E1-A	UPC277G2(61)-E1-AX	Au	High
68	UPC277G2(63)-E2-A	UPC277G2(63)-E2-AX	Au	High
69	UPC277G2(8)-E2-A	UPC277G2(8)-E2-AP	Cu	Standard
70	UPC277G2-A	UPC277G2-AP	Cu	Standard
71	UPC277G2-E1-A	UPC277G2-E1-AP	Cu	Standard
72	UPC277G2-E2-A	UPC277G2-E2-AP	Cu	Standard
73	UPC311G2-A	UPC311G2-AP	Cu	Standard
74	UPC311G2-E1-A	UPC311G2-E1-AP	Cu	Standard
75	UPC311G2-E2-A	UPC311G2-E2-AP	Cu	Standard
76	UPC358G2(5)-A	UPC358G2(5)-AP	Cu	Standard
77	UPC358G2(5)-E1-A	UPC358G2(5)-E1-AP	Cu	Standard
78	UPC358G2-A	UPC358G2-AP	Cu	Standard
79	UPC358G2-E1-A	UPC358G2-E1-AP	Cu	Standard
80	UPC358G2-E2-A	UPC358G2-E2-AP	Cu	Standard
81	UPC393G2(5)-E1-A	UPC393G2(5)-E1-AP	Cu	Standard
82	UPC393G2(5)-E2-A	UPC393G2(5)-E2-AP	Cu	Standard
83	UPC393G2-A	UPC393G2-AP	Cu	Standard
84	UPC393G2-E1-A	UPC393G2-E1-AP	Cu	Standard
85	UPC393G2-E2-A	UPC393G2-E2-AP	Cu	Standard
86	UPC4062G2-A	UPC4062G2-AP	Cu	Standard
87	UPC4062G2-E1-A	UPC4062G2-E1-AP	Cu	Standard
88	UPC4062G2-E2-A	UPC4062G2-E2-AP	Cu	Standard
89	UPC4072G2-A	UPC4072G2-AP	Cu	Standard
90	UPC4072G2-E1-A	UPC4072G2-E1-AP	Cu	Standard
91	UPC4072G2-E2-A	UPC4072G2-E2-AP	Cu	Standard
92	UPC4082G2-A	UPC4082G2-AP	Cu	Standard
93	UPC4082G2-E1-A	UPC4082G2-E1-AP	Cu	Standard
94	UPC4082G2-E2-A	UPC4082G2-E2-AP	Cu	Standard
95	UPC4092G2-A	UPC4092G2-AP	Cu	Standard
96	UPC4092G2-E1-A	UPC4092G2-E1-AP	Cu	Standard
97	UPC4094G2-E1-A	UPC4094G2-E1-AP	Cu	Standard
98	UPC4094G2-E2-A	UPC4094G2-E2-AP	Cu	Standard
99	UPC4558G2(5)-E1-A	UPC4558G2(5)-E1-AP	Cu	Standard
100	UPC4558G2-A	UPC4558G2-AP	Cu	Standard
101	UPC4558G2-E1-A	UPC4558G2-E1-AP	Cu	Standard
102	UPC4558G2-E2-A	UPC4558G2-E2-AP	Cu	Standard
103	UPC4560G2-A	UPC4560G2-AP	Cu	Standard
104	UPC4560G2-E1-A	UPC4560G2-E1-AP	Cu	Standard
105	UPC4560G2-E2-A	UPC4560G2-E2-AP	Cu	Standard
106	UPC4570AG2(62)-E1-A	UPC4570AG2(62)-E1-AX	Au	High
107	UPC4570AG2-E1-A	UPC4570AG2-E1-AP	Cu	Standard
108	UPC4570G2(59)-E1-A	UPC4570G2(59)-E1-AX	Au	High
109	UPC4570G2(61)-E1-A	UPC4570G2(61)-E1-AX	Au	High
110	UPC4570G2-A	UPC4570G2-AP	Cu	Standard
111	UPC4570G2-E1-A	UPC4570G2-E1-AP	Cu	Standard
112	UPC4570G2-E2-A	UPC4570G2-E2-AP	Cu	Standard
113	UPC4572G2-A	UPC4572G2-AP	Cu	Standard
114	UPC4572G2-E1-A	UPC4572G2-E1-AP	Cu	Standard
115	UPC4572G2-E2-A	UPC4572G2-E2-AP	Cu	Standard
116	UPC4742G2-A	UPC4742G2-AP	Cu	Standard
117	UPC4742G2-E1-A	UPC4742G2-E1-AP	Cu	Standard
118	UPC4742G2-E2-A	UPC4742G2-E2-AP	Cu	Standard
119	UPC802G2-A	UPC802G2-AP	Cu	Standard
120	UPC802G2-E1-A	UPC802G2-E1-AP	Cu	Standard

## SOP-8 :

No	Part number: Current	Part number: UTL	Wire: UTL	Quality Level
121	UPC802G2-E2-A	UPC802G2-E2-AP	Cu	Standard
122	UPC811G2-A	UPC811G2-AP	Cu	Standard
123	UPC811G2-E1-A	UPC811G2-E1-AP	Cu	Standard
124	UPC811G2-E2-A	UPC811G2-E2-AP	Cu	Standard
125	UPC812G2-A	UPC812G2-AP	Cu	Standard
126	UPC812G2-E1-A	UPC812G2-E1-AP	Cu	Standard
127	UPC812G2-E2-A	UPC812G2-E2-AP	Cu	Standard
128	UPC813G2-A	UPC813G2-AP	Cu	Standard
129	UPC813G2-E1-A	UPC813G2-E1-AP	Cu	Standard
130	UPC813G2-E2-A	UPC813G2-E2-AP	Cu	Standard
131	UPC814G2-A	UPC814G2-AP	Cu	Standard
132	UPC814G2-E1-A	UPC814G2-E1-AP	Cu	Standard
133	UPC814G2-E2-A	UPC814G2-E2-AP	Cu	Standard
134	UPC822G2(20)-E1-A	UPC822G2(20)-E1-AX	Au	High
135	UPC822G2-A	UPC822G2-AP	Cu	Standard
136	UPC822G2-E1-A	UPC822G2-E1-AP	Cu	Standard
137	UPC822G2-E2-A	UPC822G2-E2-AP	Cu	Standard
138	UPC832G2(20)-E1-A	UPC832G2(20)-E1-AX	Au	High
139	UPC832G2(20)-E2-A	UPC832G2(20)-E2-AX	Au	High
140	UPC832G2-A	UPC832G2-AP	Cu	Standard
141	UPC832G2-E1-A	UPC832G2-E1-AP	Cu	Standard
142	UPC832G2-E2-A	UPC832G2-E2-AP	Cu	Standard
143	UPC842AG2(20)-E1-A	UPC842AG2(20)-E1-AX	Au	High
144	UPC842AG2(20)-E2-A	UPC842AG2(20)-E2-AX	Au	High
145	UPC842AG2(21)-E1-A	UPC842AG2(21)-E1-AX	Au	High
146	UPC842AG2(21)-E2-A	UPC842AG2(21)-E2-AX	Au	High
147	UPC842AG2(3)-E2-A	UPC842AG2(3)-E2-AP	Cu	Standard
148	UPC842G2(20)-E1-A	UPC842G2(20)-E1-AX	Au	High
149	UPC842G2(20)-E2-A	UPC842G2(20)-E2-AX	Au	High
150	UPC842G2(21)-E1-A	UPC842G2(21)-E1-AX	Au	High
151	UPC842G2(21)-E2-A	UPC842G2(21)-E2-AX	Au	High
152	UPC842G2(26)-E2-A	UPC842G2(26)-E2-AP	Cu	Standard
153	UPC842G2(3)-E1-A	UPC842G2(3)-E1-AP	Cu	Standard
154	UPC842G2(3)-E2-A	UPC842G2(3)-E2-AP	Cu	Standard
155	UPC842G2(59)-E1-A	UPC842G2(59)-E1-AX	Au	High
156	UPC842G2(73)-E1-A	UPC842G2(73)-E1-AP	Cu	Standard
157	UPC842G2(74)-E1-A	UPC842G2(74)-E1-AP	Cu	Standard
158	UPC842G2-A	UPC842G2-AP	Cu	Standard
159	UPC842G2-E1-A	UPC842G2-E1-AP	Cu	Standard
160	UPC842G2-E2-A	UPC842G2-E2-AP	Cu	Standard
161	REAC1251GSM#GC0	REAC1251GSM#GCA	Cu	Standard
162	REAC1251JSM#GC0	REAC1251JSM#GCA	Au	High
163	REAC1251JSM#GC1	REAC1251JSM#GCB	Au	High
164	REAC1251JSM#HC0	REAC1251JSM#HCA	Au	High
165	REAC1251JSM#HC1	REAC1251JSM#HCB	Au	High
166	REAC1251JSM#HC2	REAC1251JSM#HCC	Au	High
167	REAC1251JSM#HC3	REAC1251JSM#HCD	Au	High
168	REAC1251JSM#HC4	REAC1251JSM#HCE	Au	High
169	REAR56953AGSM#HC0	REAR56953AGSM#HCA	Cu	Standard
170	REAR56953BGSM#HC0	REAR56953BGSM#HCA	Cu	Standard
171	REAR56957AGSM#HC0	REAR56957AGSM#HCA	Cu	Standard
172	REAR56957BGSM#HC0	REAR56957BGSM#HCA	Cu	Standard
173	REAR56958BGSM#HC0	REAR56958BGSM#HCA	Cu	Standard

## SOP-14 :

No	Part number: Current	Part number: UTL	Wire: UTL	Quality Level
174	UPC177G2(20)-E1-A	UPC177G2(20)-E1-AX	Au	High
175	UPC177G2(20)-E2-A	UPC177G2(20)-E2-AX	Au	High
176	UPC177G2(21)-E1-A	UPC177G2(21)-E1-AX	Au	High
177	UPC177G2(21)-E2-A	UPC177G2(21)-E2-AX	Au	High
178	UPC177G2(22)-A	UPC177G2(22)-AX	Au	High
179	UPC177G2(22)-E2-A	UPC177G2(22)-E2-AX	Au	High
180	UPC177G2(25)-E1-A	UPC177G2(25)-E1-AX	Au	High
181	UPC177G2(3)-A	UPC177G2(3)-AP	Cu	Standard
182	UPC177G2(3)-E1-A	UPC177G2(3)-E1-AP	Cu	Standard
183	UPC177G2(3)-E2-A	UPC177G2(3)-E2-AP	Cu	Standard
184	UPC177G2-A	UPC177G2-AP	Cu	Standard
185	UPC177G2-E1-A	UPC177G2-E1-AP	Cu	Standard
186	UPC177G2-E2-A	UPC177G2-E2-AP	Cu	Standard
187	UPC272G2-A	UPC272G2-AP	Cu	Standard
188	UPC272G2-E1-A	UPC272G2-E1-AP	Cu	Standard
189	UPC272G2-E2-A	UPC272G2-E2-AP	Cu	Standard
190	UPC319G2-A	UPC319G2-AP	Cu	Standard
191	UPC319G2-E1-A	UPC319G2-E1-AP	Cu	Standard
192	UPC319G2-E2-A	UPC319G2-E2-AP	Cu	Standard
193	UPC324G2(5)-E1-A	UPC324G2(5)-E1-AP	Cu	Standard
194	UPC324G2-A	UPC324G2-AP	Cu	Standard
195	UPC324G2-E1-A	UPC324G2-E1-AP	Cu	Standard
196	UPC324G2-E2-A	UPC324G2-E2-AP	Cu	Standard
197	UPC339G2(5)-E1-A	UPC339G2(5)-E1-AP	Cu	Standard
198	UPC339G2-A	UPC339G2-AP	Cu	Standard
199	UPC339G2-E1-A	UPC339G2-E1-AP	Cu	Standard
200	UPC339G2-E2-A	UPC339G2-E2-AP	Cu	Standard
201	UPC3403G2-A	UPC3403G2-AP	Cu	Standard
202	UPC3403G2-E1-A	UPC3403G2-E1-AP	Cu	Standard
203	UPC3403G2-E2-A	UPC3403G2-E2-AP	Cu	Standard
204	UPC4064G2-A	UPC4064G2-AP	Cu	Standard
205	UPC4064G2-E1-A	UPC4064G2-E1-AP	Cu	Standard
206	UPC4064G2-E2-A	UPC4064G2-E2-AP	Cu	Standard
207	UPC4074G2-A	UPC4074G2-AP	Cu	Standard
208	UPC4074G2-E1-A	UPC4074G2-E1-AP	Cu	Standard
209	UPC4074G2-E2-A	UPC4074G2-E2-AP	Cu	Standard
210	UPC451AG2(20)-E2-A	UPC451AG2(20)-E2-AX	Au	High
211	UPC451EG2(20)-E1-A	UPC451EG2(20)-E1-AX	Au	High
212	UPC451EG2(20)-E2-A	UPC451EG2(20)-E2-AX	Au	High
213	UPC451EG2(21)-E1-A	UPC451EG2(21)-E1-AX	Au	High
214	UPC451EG2(21)-E2-A	UPC451EG2(21)-E2-AX	Au	High
215	UPC451EG2(22)-A	UPC451EG2(22)-AX	Au	High
216	UPC451EG2(22)-E2-A	UPC451EG2(22)-E2-AX	Au	High
217	UPC451EG2(3)-E2-A	UPC451EG2(3)-E2-AP	Cu	Standard
218	UPC451EG2(36)-A	UPC451EG2(36)-AX	Au	High
219	UPC451EG2(63)-E2-A	UPC451EG2(63)-E2-AX	Au	High
220	UPC451EG2-A	UPC451EG2-AP	Cu	Standard
221	UPC451EG2-E2-A	UPC451EG2-E2-AP	Cu	Standard
222	UPC451G2(20)-E1-A	UPC451G2(20)-E1-AX	Au	High
223	UPC451G2(20)-E2-A	UPC451G2(20)-E2-AX	Au	High
224	UPC451G2(21)-E1-A	UPC451G2(21)-E1-AX	Au	High
225	UPC451G2(21)-E2-A	UPC451G2(21)-E2-AX	Au	High
226	UPC451G2(22)-A	UPC451G2(22)-AX	Au	High
227	UPC451G2(22)-E2-A	UPC451G2(22)-E2-AX	Au	High
228	UPC451G2(23)-E1-A	UPC451G2(23)-E1-AX	Au	High
229	UPC451G2(26)-E1-A	UPC451G2(26)-E1-AX	Au	High
230	UPC451G2(3)-E1-A	UPC451G2(3)-E1-AP	Cu	Standard
231	UPC451G2(3)-E2-A	UPC451G2(3)-E2-AP	Cu	Standard
232	UPC451G2(36)-A	UPC451G2(36)-AX	Au	High
233	UPC451G2(5)-A	UPC451G2(5)-AP	Cu	Standard

## SOP-14 :

No	Part number: Current	Part number: UTL	Wire: UTL	Quality Level
234	UPC451G2(5)-E1-A	UPC451G2(5)-E1-AP	Cu	Standard
235	UPC451G2(5)-E2-A	UPC451G2(5)-E2-AP	Cu	Standard
236	UPC451G2(60)-E2-A	UPC451G2(60)-E2-AX	Au	High
237	UPC451G2(61)-E2-A	UPC451G2(61)-E2-AX	Au	High
238	UPC451G2(63)-E2-A	UPC451G2(63)-E2-AX	Au	High
239	UPC451G2(8)-E2-A	UPC451G2(8)-E2-AP	Cu	Standard
240	UPC451G2-A	UPC451G2-AP	Cu	Standard
241	UPC451G2-E1-A	UPC451G2-E1-AP	Cu	Standard
242	UPC451G2-E2-A	UPC451G2-E2-AP	Cu	Standard
243	UPC452G2(20)-E1-A	UPC452G2(20)-E1-AX	Au	High
244	UPC452G2(20)-E2-A	UPC452G2(20)-E2-AX	Au	High
245	UPC452G2-A	UPC452G2-AP	Cu	Standard
246	UPC452G2-E1-A	UPC452G2-E1-AP	Cu	Standard
247	UPC452G2-E2-A	UPC452G2-E2-AP	Cu	Standard
248	UPC4574G2(5)-E1-A	UPC4574G2(5)-E1-AP	Cu	Standard
249	UPC4574G2-A	UPC4574G2-AP	Cu	Standard
250	UPC4574G2-E1-A	UPC4574G2-E1-AP	Cu	Standard
251	UPC4574G2-E2-A	UPC4574G2-E2-AP	Cu	Standard
252	UPC458G2(20)-E2-A	UPC458G2(20)-E2-AX	Au	High
253	UPC458G2(37)-E2-A	UPC458G2(37)-E2-AX	Au	High
254	UPC458G2(5)-A	UPC458G2(5)-AP	Cu	Standard
255	UPC458G2(5)-E1-A	UPC458G2(5)-E1-AP	Cu	Standard
256	UPC458G2-A	UPC458G2-AP	Cu	Standard
257	UPC458G2-E1-A	UPC458G2-E1-AP	Cu	Standard
258	UPC458G2-E2-A	UPC458G2-E2-AP	Cu	Standard
259	UPC4741G2-A	UPC4741G2-AP	Cu	Standard
260	UPC4741G2-E1-A	UPC4741G2-E1-AP	Cu	Standard
261	UPC4741G2-E2-A	UPC4741G2-E2-AP	Cu	Standard
262	UPC4744G2-A	UPC4744G2-AP	Cu	Standard
263	UPC4744G2-E1-A	UPC4744G2-E1-AP	Cu	Standard
264	UPC4744G2-E2-A	UPC4744G2-E2-AP	Cu	Standard
265	UPC824G2-A	UPC824G2-AP	Cu	Standard
266	UPC824G2-E1-A	UPC824G2-E1-AP	Cu	Standard
267	UPC824G2-E2-A	UPC824G2-E2-AP	Cu	Standard
268	UPC834G2-A	UPC834G2-AP	Cu	Standard
269	UPC834G2-E1-A	UPC834G2-E1-AP	Cu	Standard
270	UPC834G2-E2-A	UPC834G2-E2-AP	Cu	Standard
271	UPC844G2(20)-E1-A	UPC844G2(20)-E1-AX	Au	High
272	UPC844G2(20)-E2-A	UPC844G2(20)-E2-AX	Au	High
273	UPC844G2(21)-E2-A	UPC844G2(21)-E2-AX	Au	High
274	UPC844G2(3)-E1-A	UPC844G2(3)-E1-AP	Cu	Standard
275	UPC844G2(61)-E2-A	UPC844G2(61)-E2-AX	Au	High
276	UPC844G2(66)-E1-A	UPC844G2(66)-E1-AP	Cu	Standard
277	UPC844G2(69)-E1-A	UPC844G2(69)-E1-AP	Cu	Standard
278	UPC844G2-A	UPC844G2-AP	Cu	Standard
279	UPC844G2-E1-A	UPC844G2-E1-AP	Cu	Standard
280	UPC844G2-E2-A	UPC844G2-E2-AP	Cu	Standard

## Reason for Change:

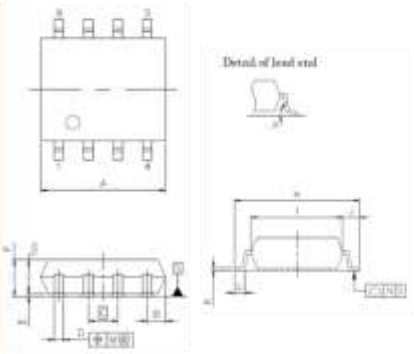
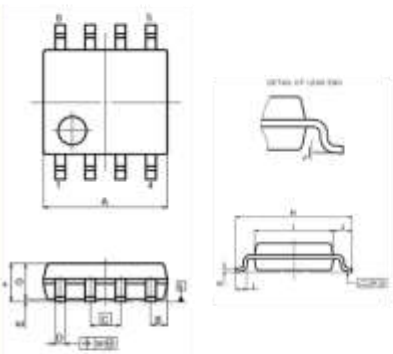
For stable supply.

## Impact on Fit, Form, Function, Quality & Reliability:

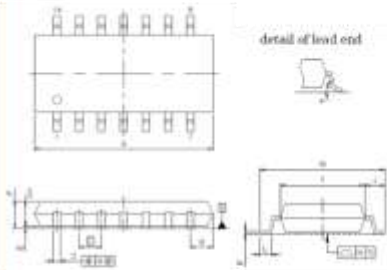
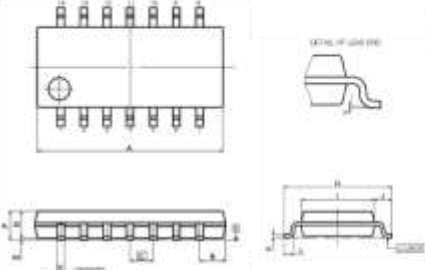
< Form >

There are some dimensional differences in the outline drawing, but the recommended foot pattern remains the same.

### SOP-8 :

Current products		UTL products																																																																	
(UNIT:mm)		(UNIT:mm)																																																																	
	<table border="1"> <thead> <tr> <th>ITEM</th> <th>MILLIMETERS</th> </tr> </thead> <tbody> <tr><td>A</td><td>5.2 +0.17 -0.20</td></tr> <tr><td>B</td><td>0.78 MAX</td></tr> <tr><td>C</td><td>1.27 (T.P)</td></tr> <tr><td>D</td><td>0.42 +0.08 -0.07</td></tr> <tr><td>E</td><td>0.1 ±0.1</td></tr> <tr><td>F</td><td>1.59 ±0.21</td></tr> <tr><td>G</td><td>1.49</td></tr> <tr><td>H</td><td>6.5 ±0.3</td></tr> <tr><td>I</td><td>4.4 ±0.15</td></tr> <tr><td>J</td><td>1.1 ±0.2</td></tr> <tr><td>K</td><td>0.17 +0.08 -0.07</td></tr> <tr><td>L</td><td>0.6 ±0.2</td></tr> <tr><td>M</td><td>0.12</td></tr> <tr><td>N</td><td>0.10</td></tr> <tr><td>P</td><td>3° +7° -3°</td></tr> </tbody> </table>	ITEM	MILLIMETERS	A	5.2 +0.17 -0.20	B	0.78 MAX	C	1.27 (T.P)	D	0.42 +0.08 -0.07	E	0.1 ±0.1	F	1.59 ±0.21	G	1.49	H	6.5 ±0.3	I	4.4 ±0.15	J	1.1 ±0.2	K	0.17 +0.08 -0.07	L	0.6 ±0.2	M	0.12	N	0.10	P	3° +7° -3°		<table border="1"> <thead> <tr> <th>ITEM</th> <th>DIMENSIONS</th> </tr> </thead> <tbody> <tr><td>A</td><td>5.2±0.17</td></tr> <tr><td>B</td><td>0.78MAX</td></tr> <tr><td>C</td><td>1.27(T.P)</td></tr> <tr><td>D</td><td>0.40±0.05</td></tr> <tr><td>E</td><td>0.1±0.1</td></tr> <tr><td>F</td><td>1.59±0.21</td></tr> <tr><td>G</td><td>1.49</td></tr> <tr><td>H</td><td>6.5±0.3</td></tr> <tr><td>I</td><td>4.4±0.1</td></tr> <tr><td>J</td><td>1.05±0.15</td></tr> <tr><td>K</td><td>0.2±0.07</td></tr> <tr><td>L</td><td>0.6±0.20</td></tr> <tr><td>M</td><td>0.1MAX</td></tr> <tr><td>N</td><td>0.1MAX</td></tr> <tr><td>P</td><td>4°±4°</td></tr> </tbody> </table>	ITEM	DIMENSIONS	A	5.2±0.17	B	0.78MAX	C	1.27(T.P)	D	0.40±0.05	E	0.1±0.1	F	1.59±0.21	G	1.49	H	6.5±0.3	I	4.4±0.1	J	1.05±0.15	K	0.2±0.07	L	0.6±0.20	M	0.1MAX	N	0.1MAX	P	4°±4°
ITEM	MILLIMETERS																																																																		
A	5.2 +0.17 -0.20																																																																		
B	0.78 MAX																																																																		
C	1.27 (T.P)																																																																		
D	0.42 +0.08 -0.07																																																																		
E	0.1 ±0.1																																																																		
F	1.59 ±0.21																																																																		
G	1.49																																																																		
H	6.5 ±0.3																																																																		
I	4.4 ±0.15																																																																		
J	1.1 ±0.2																																																																		
K	0.17 +0.08 -0.07																																																																		
L	0.6 ±0.2																																																																		
M	0.12																																																																		
N	0.10																																																																		
P	3° +7° -3°																																																																		
ITEM	DIMENSIONS																																																																		
A	5.2±0.17																																																																		
B	0.78MAX																																																																		
C	1.27(T.P)																																																																		
D	0.40±0.05																																																																		
E	0.1±0.1																																																																		
F	1.59±0.21																																																																		
G	1.49																																																																		
H	6.5±0.3																																																																		
I	4.4±0.1																																																																		
J	1.05±0.15																																																																		
K	0.2±0.07																																																																		
L	0.6±0.20																																																																		
M	0.1MAX																																																																		
N	0.1MAX																																																																		
P	4°±4°																																																																		

### SOP-14 :

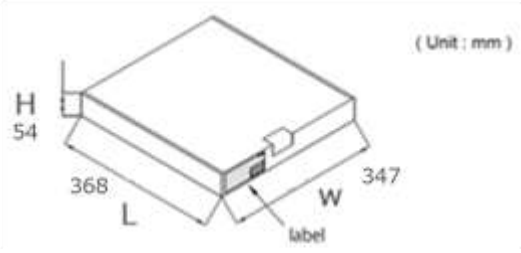
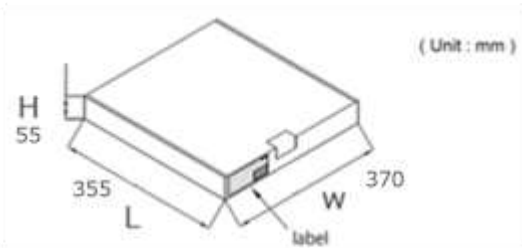
Current products		UTL products																																																																	
(UNIT:mm)		(UNIT:mm)																																																																	
	<table border="1"> <thead> <tr> <th>ITEM</th> <th>MILLIMETERS</th> </tr> </thead> <tbody> <tr><td>A</td><td>10.2 ±0.26</td></tr> <tr><td>B</td><td>1.42 MAX</td></tr> <tr><td>C</td><td>1.27 (T.P)</td></tr> <tr><td>D</td><td>0.42 +0.08 -0.07</td></tr> <tr><td>E</td><td>0.1 ±0.1</td></tr> <tr><td>F</td><td>1.59 +0.21 -0.2</td></tr> <tr><td>G</td><td>1.49</td></tr> <tr><td>H</td><td>6.5 ±0.2</td></tr> <tr><td>I</td><td>4.4 ±0.1</td></tr> <tr><td>J</td><td>1.1 ±0.16</td></tr> <tr><td>K</td><td>0.17 +0.08 -0.07</td></tr> <tr><td>L</td><td>0.6 ±0.2</td></tr> <tr><td>M</td><td>0.1</td></tr> <tr><td>N</td><td>0.10</td></tr> <tr><td>P</td><td>3° +7° -3°</td></tr> </tbody> </table>	ITEM	MILLIMETERS	A	10.2 ±0.26	B	1.42 MAX	C	1.27 (T.P)	D	0.42 +0.08 -0.07	E	0.1 ±0.1	F	1.59 +0.21 -0.2	G	1.49	H	6.5 ±0.2	I	4.4 ±0.1	J	1.1 ±0.16	K	0.17 +0.08 -0.07	L	0.6 ±0.2	M	0.1	N	0.10	P	3° +7° -3°		<table border="1"> <thead> <tr> <th>ITEM</th> <th>DIMENSIONS</th> </tr> </thead> <tbody> <tr><td>A</td><td>10.2±0.2</td></tr> <tr><td>B</td><td>1.42MAX</td></tr> <tr><td>C</td><td>1.27(T.P)</td></tr> <tr><td>D</td><td>0.40±0.05</td></tr> <tr><td>E</td><td>0.1±0.1</td></tr> <tr><td>F</td><td>1.59±0.20</td></tr> <tr><td>G</td><td>1.49</td></tr> <tr><td>H</td><td>6.5±0.2</td></tr> <tr><td>I</td><td>4.4±0.1</td></tr> <tr><td>J</td><td>1.05±0.15</td></tr> <tr><td>K</td><td>0.2±0.07</td></tr> <tr><td>L</td><td>0.6±0.20</td></tr> <tr><td>M</td><td>0.1MAX</td></tr> <tr><td>N</td><td>0.1MAX</td></tr> <tr><td>P</td><td>4°±4°</td></tr> </tbody> </table>	ITEM	DIMENSIONS	A	10.2±0.2	B	1.42MAX	C	1.27(T.P)	D	0.40±0.05	E	0.1±0.1	F	1.59±0.20	G	1.49	H	6.5±0.2	I	4.4±0.1	J	1.05±0.15	K	0.2±0.07	L	0.6±0.20	M	0.1MAX	N	0.1MAX	P	4°±4°
ITEM	MILLIMETERS																																																																		
A	10.2 ±0.26																																																																		
B	1.42 MAX																																																																		
C	1.27 (T.P)																																																																		
D	0.42 +0.08 -0.07																																																																		
E	0.1 ±0.1																																																																		
F	1.59 +0.21 -0.2																																																																		
G	1.49																																																																		
H	6.5 ±0.2																																																																		
I	4.4 ±0.1																																																																		
J	1.1 ±0.16																																																																		
K	0.17 +0.08 -0.07																																																																		
L	0.6 ±0.2																																																																		
M	0.1																																																																		
N	0.10																																																																		
P	3° +7° -3°																																																																		
ITEM	DIMENSIONS																																																																		
A	10.2±0.2																																																																		
B	1.42MAX																																																																		
C	1.27(T.P)																																																																		
D	0.40±0.05																																																																		
E	0.1±0.1																																																																		
F	1.59±0.20																																																																		
G	1.49																																																																		
H	6.5±0.2																																																																		
I	4.4±0.1																																																																		
J	1.05±0.15																																																																		
K	0.2±0.07																																																																		
L	0.6±0.20																																																																		
M	0.1MAX																																																																		
N	0.1MAX																																																																		
P	4°±4°																																																																		

< Packaging >

The size of the tape packaging box is different as follows.

This is standard specifications that have been mass-produced.

Current products (L×W×H)	UTL products (L×W×H)
368×347×54 (mm)	355×370×55 (mm)

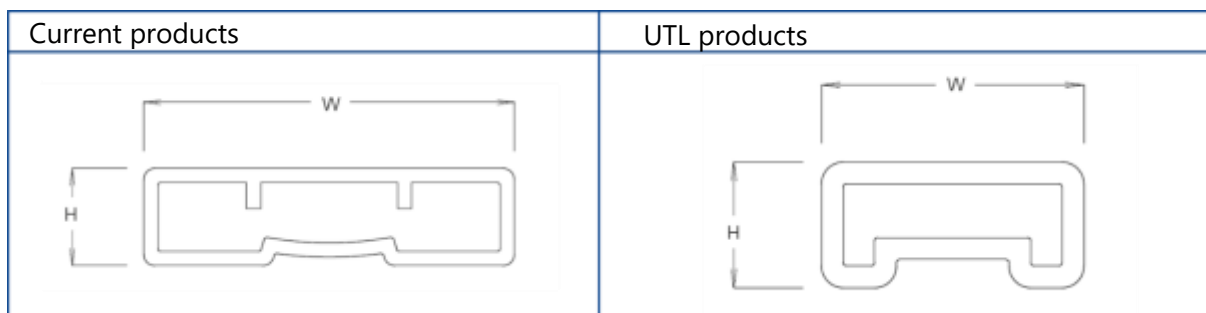
Current products	UTL products
<p>The label position is an image</p>  <p>Box Dimensions 368×347×54 MAX 2 reels/box</p>	<p>The label position is an image</p>  <p>Box Dimensions 355×370×55 MAX 2 reels/box</p>



The size of the tube is different as follows.

The tubes are open products and have a track record of mass production.

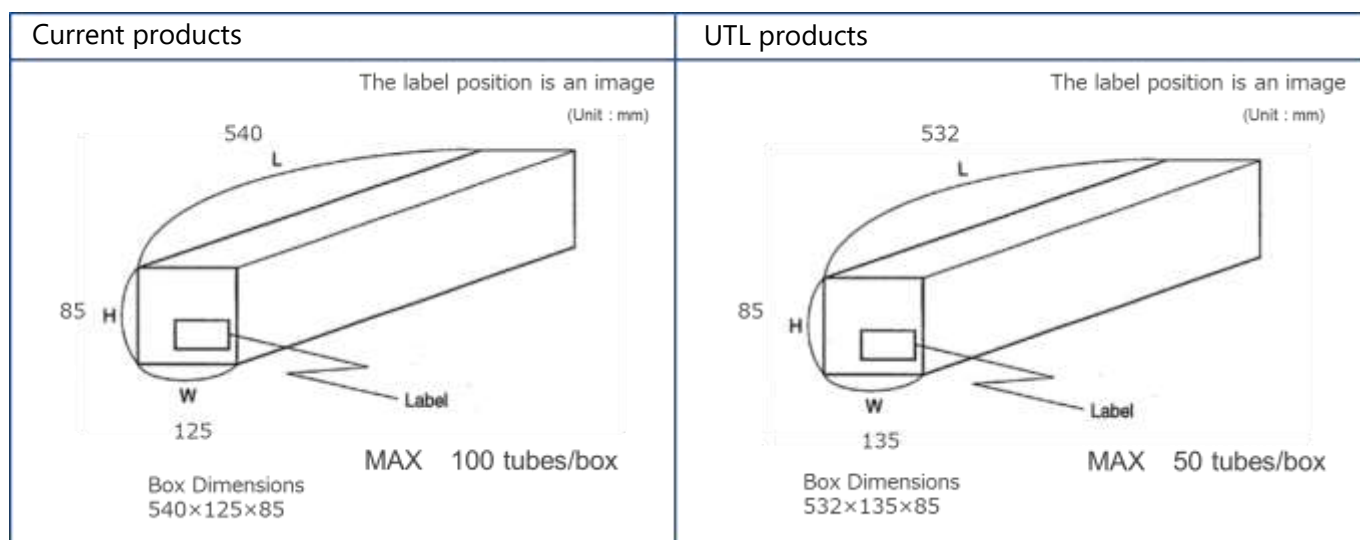
PKG	Current products (L×W×H), Quantity	UTL products (L×W×H), Quantity
SOP-8	530×13×3.4 (mm), Max100pcs	507~509×8.4×4.0 (mm) , Max90pcs
SOP-14	530×13×3.4 (mm), Max50pcs	507~509×8.4×4.0 (mm) , Max45pcs



The packaging box size of the tube product is different as follows.

This is standard specifications that have been mass-produced.

Current products (L×W×H)	UTL products (L×W×H)
540×125×85 (mm)	532×135×85 (mm)



**Product Identification:**

**SOP-8 :**

The appearance (typeface) of the marking/outline of high-quality products is different, but the marking/outline information is the same.

The appearance of the marking/outline of the standard product (typeface, Cu wire identification mark added) is different, but the marking/outline information is the same. (The marking drawings of the delivery specifications differ only in the standard level.)

	Current products	UTL products
High Quality Level		
Standard Quality Level		

**SOP-14 :**

The appearance of the marking/outline of high-quality products (typeface, lead-free mark removed) is different, but the marking/outline information is the same. (The marking drawing of the delivery specification differs only from the lead-free mark.)

The appearance of the marking/outline specification of standard products (typeface) is different, and UTL products abolish the lead-free mark and use it as a Cu wire identification mark. (The marking drawing of the delivery specification differs only in the Cu wire identification mark.)

	Current products	UTL products
High Quality Level		
Standard Quality Level		

Production sites can be identified by labels (reels, packaging boxes).

Examples of products beginning with UPC

Part number end : -A → -AX (High Quality Level)  
 Part number end : -A → -AP (Standard Quality Level)  
 (\*1) characters : 04 → FH

Labels are images.

Current products	UTL products

Examples of products beginning with REAx

Part number end : CO~ → CA~  
 (\*2) characters : LP → BQ

Labels are images.

Current products	UTL products

**Qualification Status:** Available starting SOP-8 9/15/2023 and SOP-14 11/15/2023.

**Sample Availability Date:** SOP-8 8/25/2023, SOP-14 10/27/2023

**Device Material Declaration:** Please contact your sales representative.

- Note:
1. Acknowledgement must be received by Renesas within 30 days or Renesas will consider the change as approved.
  2. If timely acknowledgement is provided by Customer, then Customer shall have 90 days from the date of receipt of this PCN to make any objections to this PCN. If Customer fails to make objections to this PCN within 90 days of the receipt of the PCN then Renesas will consider the PCN changes as approved.
  3. If customer cannot accept the PCN then customer must provide Renesas with a last time buy demand and purchase order.

**For additional information regarding this notice, please contact your Renesas sales representative.**