
PRODUCT CHANGE NOTICE

Part Marking Configuration Change for Intersil TDFN, uTDFN, and uTQFN Packaged Products

**Refer to:
PA10114**

Date: November 10, 2010

November 10, 2010

To: Our Valued Intersil Customers

Subject: **Part Marking Configuration Change for Intersil TDFN, uTDFN, and uTQFN Packaged Products**

This notice is to inform you that Intersil is changing the configuration of the “top side” marking (brand) for the listed TDFN (Thin Dual Flat No-lead), uTDFN (Ultra Thin Dual Flat No-lead), and uTQFN (Ultra Thin Quad Flat No-lead) plastic packaged products. The restructured layout allows for the marking of additional characters in support of enhancing product traceability. There will be no change to the product code that is currently marked on the device. Examples of the current and new marking configurations are included for reference.

Product affected:

Intersil Part Number - POD 1.2X1.0 - Single Digit Part Code			
ISL54051IRUZ-T	ISL54054IRUZ-T	ISL54501IRUZ-T	ISL54504IRUZ-T
ISL54052IRUZ-T	ISL54055IRUZ-T	ISL54502IRUZ-T	ISL54505IRUZ-T
ISL54053IRUZ-T	ISL54500IRUZ-T	ISL54503IRUZ-T	
Intersil Part Number - POD 1.4X1.2 - Two Digit Part Code			
ISL54226IRUZ-T	ISL54226IRUZ-T7A	ISL54228IRUZ-T	ISL54228IRUZ-T7A
Intersil Part Number - POD 1.6X1.6 - Single Digit Part Code			
ISL9003AIRUBZ-T	ISL9003AIRUJZ-T	ISL9008AIRUBZ-T	ISL9008AIRUJZ-T
ISL9003AIRUCZ-T	ISL9003AIRUKZ-T	ISL9008AIRUCZ-T	ISL9008AIRUKZ-T
ISL9003AIRUFZ-T	ISL9003AIRUMZ-T	ISL9008AIRUFZ-T	ISL9008AIRUMZ-T
ISL9003AIRUHZ-T	ISL9003AIRUNZ-T	ISL9008AIRUHZ-T	ISL9008AIRUNZ-T
Intersil Part Number - POD 1.6X1.6 - Two Digit Part Code			
ISL28133FRUZ-T7	ISL9016IRUJ CZ-T	ISL9021IRUFZ-T	ISL9103IRUCZ-T
ISL28190FRUZ-T7	ISL9016IRUJ JZ-T	ISL9021IRUGZ-T	ISL9103IRUDZ-T
ISL28191FRUZ-T7	ISL9016IRUJ WZ-T	ISL9021IRUJZ-T	ISL9103IRUFZ-T
ISL28194FRUZ-T7	ISL9016IRUKFZ-T	ISL9021IRUKZ-T	ISL9103IRUJZ-T
ISL28195FRUZ-T7	ISL9016IRUKKZ-T	ISL9021IRUMZ-T	ISL9103IRUNZ-T
ISL28196FRUZ-T7	ISL9016IRUKWZ-T	ISL9021IRUNZ-T	ISL9103IRUWZ-T
ISL28197FRUZ-T7	ISL9016IRUMBZ-T	ISL9021IRUPZ-T	ISL9104AIRUAZ-T
ISL55016IRTZ-T7	ISL9016IRUMCZ-T	ISL9021IRURZ-T	ISL9104AIRUBZ-T
ISL9003AIRURZ-T	ISL9016IRUMKZ-T	ISL9021IRUSZ-T	ISL9104AIRUCZ-T
ISL9016IRUBBZ-T	ISL9016IRUMWZ-T	ISL9021IRUTZ-T	ISL9104AIRUDZ-T
ISL9016IRUBWZ-T	ISL9016IRUNCZ-T	ISL9021IRUWZ-T	ISL9104AIRUFZ-T
ISL9016IRUCBZ-T	ISL9016IRUNWZ-T	ISL9021IRUYZ-T	ISL9104AIRUJZ-T
ISL9016IRUCCZ-T	ISL9016IRUWCZ-T	ISL9103AIRUAZ-T	ISL9104AIRUNZ-T
ISL9016IRUCWZ-T	ISL9016IRUWGZ-T	ISL9103AIRUBZ-T	ISL9104AIRUWZ-T
ISL9016IRUFBZ-T	ISL9016IRUWJZ-T	ISL9103AIRUCZ-T	ISL9104IRUAZ-T
ISL9016IRUFCZ-T	ISL9016IRUWKZ-T	ISL9103AIRUDZ-T	ISL9104IRUBZ-T

Intersil Part Number - POD 1.6X1.6 - Two Digit Part Code - cont.			
ISL9016IRUFFZ-T	ISL9021IRU1Z-T	ISL9103AIRUFZ-T	ISL9104IRUCZ-T
ISL9016IRUFWZ-T	ISL9021IRU2Z-T	ISL9103AIRUJZ-T	ISL9104IRUDZ-T
ISL9016IRUGCZ-T	ISL9021IRU3Z-T	ISL9103AIRUNZ-T	ISL9104IRUFZ-T
ISL9016IRUGGZ-T	ISL9021IRU4Z-T	ISL9103AIRUWZ-T	ISL9104IRUJZ-T
ISL9016IRUGWZ-T	ISL9021IRUBZ-T	ISL9103IRUAZ-T	ISL9104IRUNZ-T
ISL9016IRUJBZ-T	ISL9021IRUCZ-T	ISL9103IRUBZ-T	ISL9104IRUWZ-T
Intersil Part Number - POD 1.8X1.4 - Single Digit Part Code			
ISL28290FRUZ-T7	ISL54050IRUZ-T	ISL54062IRUZ-T	ISL54222AIRUZ-T
ISL28291FRUZ-T7	ISL54050IRUZ-T7A	ISL54066IRUZ-T	ISL54406IRUZ-T
ISL54047IRUZ-T	ISL54059IRUZ-T	ISL54210IRUZ-T	
ISL54048IRUZ-T	ISL54060IRUZ-T	ISL54211IRUZ-T	
ISL54049IRUZ-T	ISL54061IRUZ-T	ISL54220IRUZ-T	
Intersil Part Number - POD 1.8X1.4 - Two Digit Part Code			
ISL54063IRUZ-T	ISL54224IRUZ-T	ISL54225IRUZ-T7A	ISL54409IRUZ-T
ISL54064IRUZ-T	ISL54224IRUZ-T7A	ISL54227IRUZ-T	ISL54410IRUZ-T
ISL54209IRU1Z-T	ISL54225IRUZ-T	ISL54227IRUZ-T7A	

Intersil will take all necessary actions to conform to customer requirements and to ensure the continued high quality and reliability of Intersil products being supplied. Customers may expect to receive product marked in accordance with either the current or new layout beginning ninety days from the date of this notification or until the depletion of existing inventory.

If you have concerns with this change notice, Intersil must hear from you promptly. Please contact the nearest Intersil Sales Office or call the Intersil Corporate line at 1-888-468-3774, in the United States, or 1-321-724-7143 outside of the United States.

Jon Brewster

Jon Brewster
Intersil Corporation

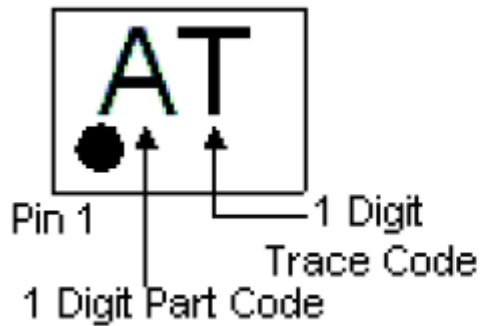
PCN10114

CC: J. Touvell F. Cheng S. Ang S. Nadarajah T. Peterson

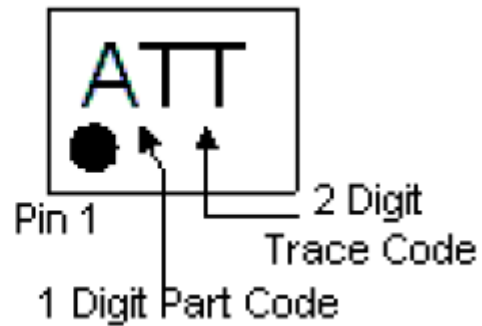
PCN10114 – Marking Layout Examples

POD 1.2 x 1.0 - Single Digit Part Code

Current

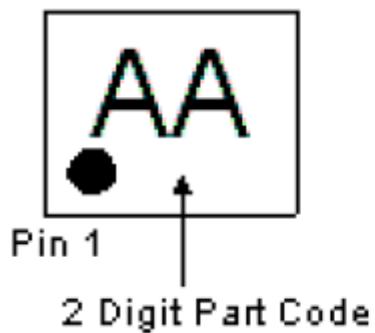


New

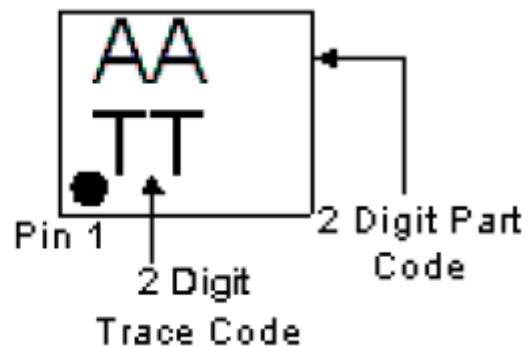


POD 1.4 x 1.2 - Two Digit Part Code

Current

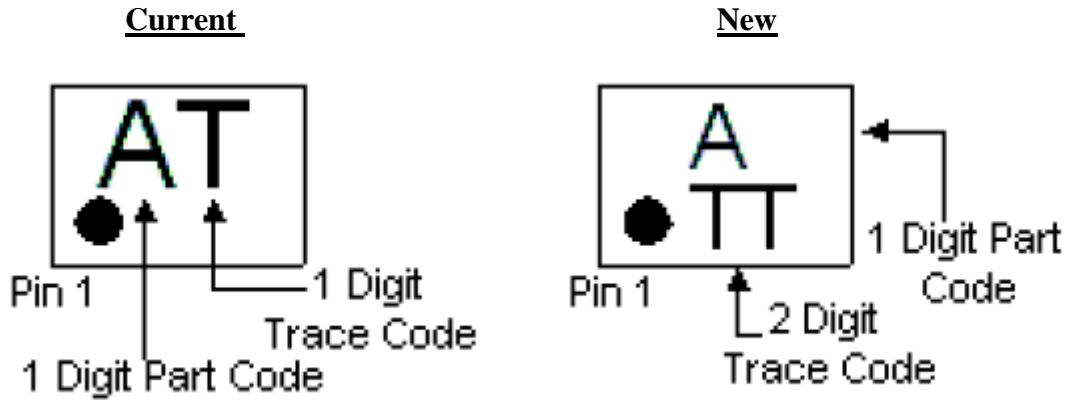


New

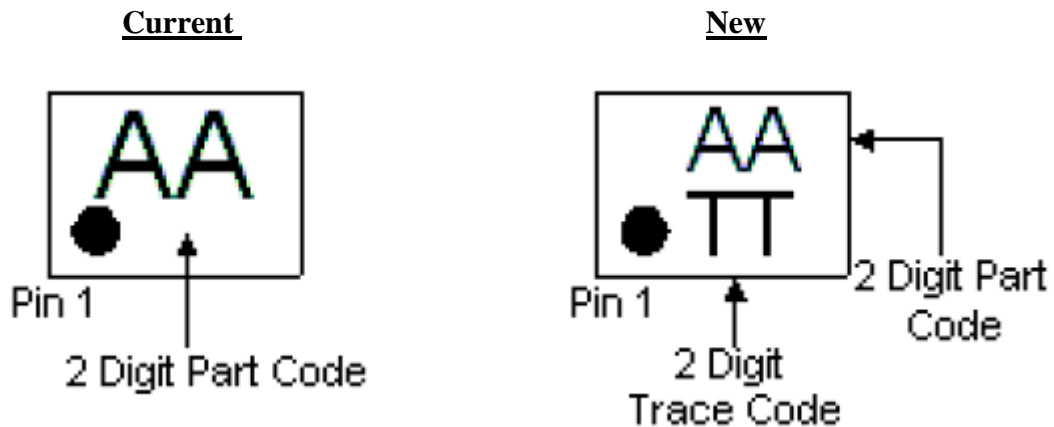


PCN10114 – Marking Layout Examples– cont.

POD 1.6 x 1.6 - Single Digit Part Code

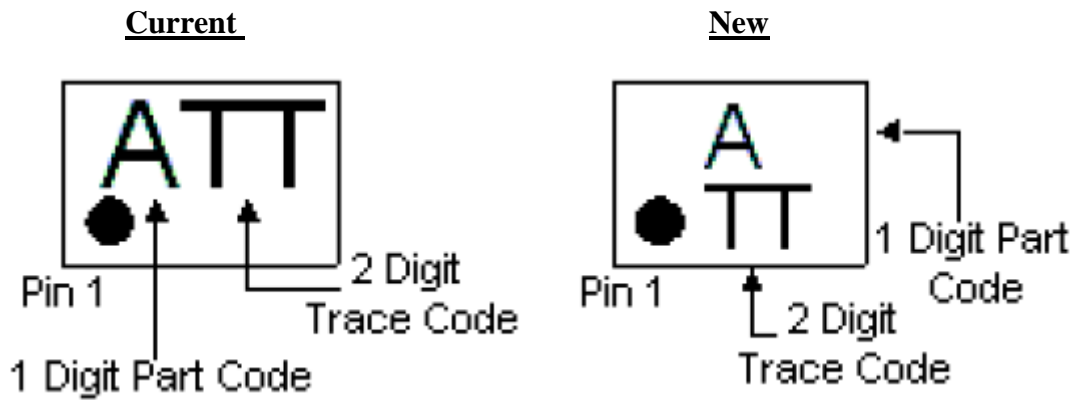


POD 1.6 x 1.6 - Two Digit Part Code



PCN10114 – Marking Layout Examples– cont.

POD 1.8 x 1.4 - Single Digit Part Code



POD 1.8 x 1.4 - Two Digit Part Code

