

RZ Ecosystem Partner Solution

Calixto VERSA SOM



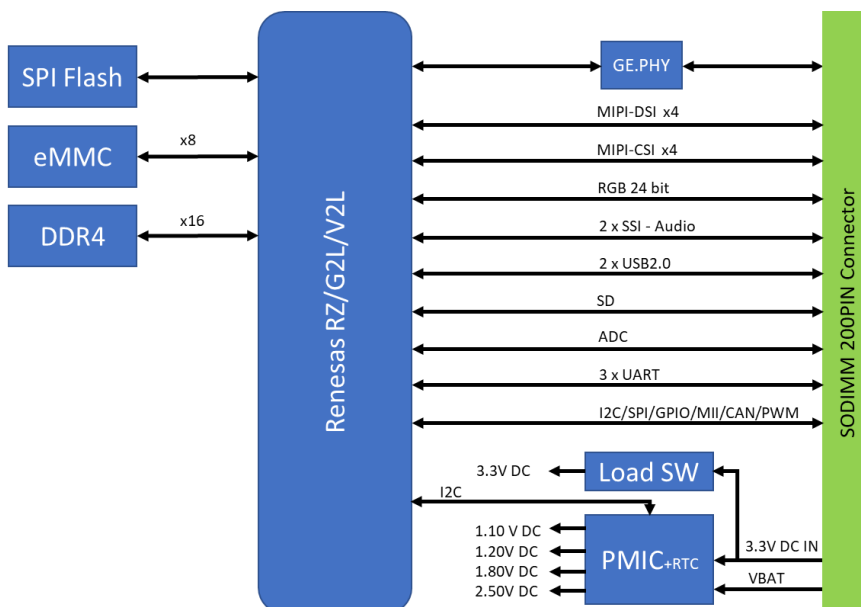
Solution Summary

Calixto Systems RZ/G2L and RZ/V2L VERSA System On Module(SOM) include DDR4 RAM, eMMC, Gigabit Ethernet PHY and PMIC with RTC. The SOM is in SODIMM-200pin format, and brings out all interfaces of [RZ/G2L](#) and [RZ/V2L](#).

Features/Benefits

- Choice of RZ/G2L or RZ/V2L Dual Core Cortex A55 high performance Processor
- DDR4 RAM upto 4GB and 8/16GB eMMC
- Integrated Gigabit Ethernet PHY and RTC
- MIPI-CSI, MIPI-DSI and Parallel Display interface
- USB, SD, UART, SPI, I2C, CAN, Audio, ADC, PWM and GPIO interfaces

Diagrams/Graphics



Target Markets and Applications

- Industrial Automation
- Building Management Systems
- Healthcare
- IoT Gateways
- AI Camera

Company Name	Calixto Systems Pvt Ltd
Address	311-J, 2 nd Floor, 2 nd Main Rd, Kasturi Nagar, Bangalore 560043, India
Date of Incorporation	Feb 2010
Business	Power efficient and affordable embedded electronics devices design and manufacturing
Contact	sales@calixto.co.in , +918042027244