

# DTDS

## RX Ecosystem Partner Solution

# DTDS HV BLDC Fan Solution



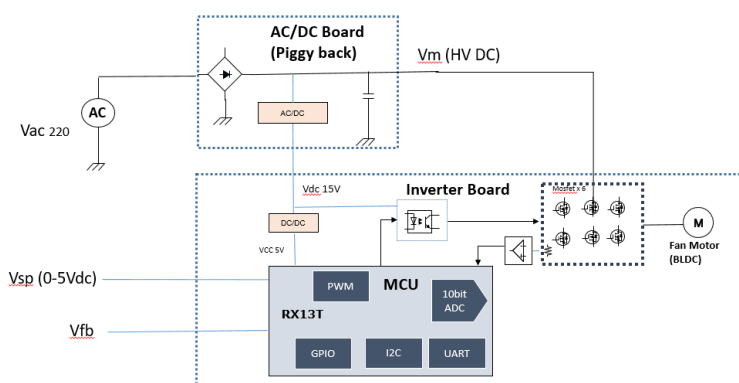
### Solution Summary

DTDS low-cost, high-voltage (HV) fan board supports BLDC fan applications for outdoor air conditioning unit and industrial fan with [RX13T](#) MCU. The fan driver board design is optimized for minimum component count and lower cost. It provides a production ready solution to reduce time to market for inverter motor fan applications. Motor control and system tuning software are provided to help customers optimize their systems. HV BLDC Fan solution can easily interface with any fan control board for speed control. Smart failure prediction with AI can be implemented upon request.

### Features/Benefits

- Sensorless field-oriented control (FOC)
- Fast ramp up and precision speed control
- Reversed start for outdoor fan application
- Safety features – over voltage, over current, motor lock protection, under voltage protection
- Flexible input voltage for AC or high-voltage DC

### Diagrams/Graphics



Vin	HVAC	220Vac 50Hz
	HVDC	120-500VDC
Max power out	80W	
Speed range	100-5000RPM	
Vin (LVDC)	13.5-16.5VDC	
Vdc speed tuning	0-5VDC	

### Target Markets and Applications

- Inverter air conditioner
- Inverter cooling system
- HVAC

<https://dtdsgp.com/dtds-hv-blcd-fan/>

# DTDS

DTDS group has diversified businesses in many verticals through its subsidiaries and associate organizations which focuses on entire ecosystem in Electronics Industry.

Prime focus areas are

- Electronics components Distribution
- Independent Design House (IDH)

DTDS Solution Team provide customize electronics design in the area of IoT, Power management and renewable energy applications. Our design include LoRa module, Temperature and humidity sensor, Vibration sensor, Smart water meter, Inverter motor control board

DTDS high voltage lab (HV Lab) in Singapore provide support to customer motor control requirement. DTDS HV lab equips with the necessary testing equipment like AC source, isolated HV current and voltage probe, oscilloscope for motor control and inverter testing

Web: <https://dtdsgp.com/>

Contact: [enquiry.asean@dtdsgp.com](mailto:enquiry.asean@dtdsgp.com) or [Contact us](#)

Location: Asean/ India

