

RX Ecosystem Partner Solution

ETOUCH RX24T + Resolver Solution



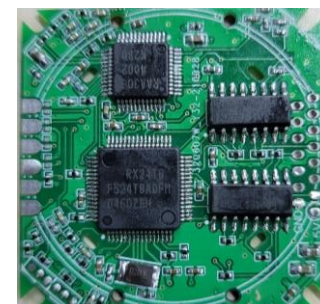
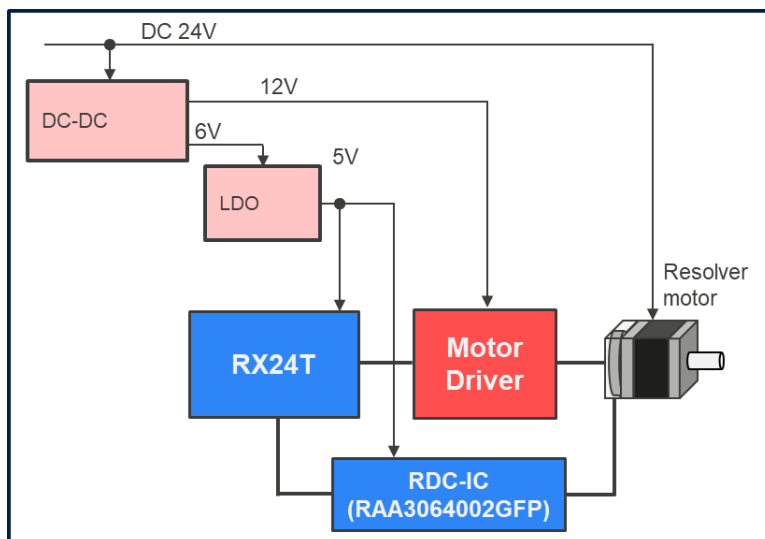
Solution Summary

Etouch high resolution position motor control solution is based on Renesas [RX24T](#) and [RDC \(Resolver-to-Digital Converter\) IC](#). The solution provides high resolution, environmental resistance, low sound noise and vibration, low power, low heat, high acceleration/deceleration response.

Features/Benefits

- Resolver control system based on Renesas RX24T MCU and RDC-IC
- Small PCB footprint fits into small motors to output high resolution position
- High-speed response, follow-up quickly for the drastic angle change for step input
- High resolution motor position, above 14-bit resolution
- Environmental resistance of the resolver, fit a wider range of applications

Diagrams/Graphics



Target Markets and Applications

- Power assistant bicycle
- Robot
- General purpose (GP) inverter
- Automatic guided vehicle (AGV)
- 3D printer
- Stepping motor
- Other motor applications

ETOUCH PROFILE

Etouch was founded in 2001. Now ETOUCH have established offices in Beijing, Shenzhen, Wuxi, Hongkong, Shunde, Hangzhou, Chongqing, Xiamen.

Etouch has more than 80 employees, of which R&D Department accounts for one third.

ETOUCH MOTOR SOLUTION

Fan motor controller

- Sensorless FOC
- Constant wind control
- Flux weeken control



Refrigerator with inverter

- Weak magnetic high-speed control
- Sensorless FOC
- Heavy starting torque
- Runing microseism



Water pump controller

- Sensorless FOC
- Constant voltage control
- Constant flow control
- Self-adaption flow control
- No water detection



Inverter W/M

- DDM wheel
- AC Conversion drum
- BLDC

