

## AC/DC Digital Power Controller for High Power Factor Analog and 0-10V Dimmable LED Drivers

### 1 Description

The iW3630 is a two-stage, high-performance AC/DC offline power supply controller for dimmable LED luminaires with analog dimming interface. It controls LED current based on analog input voltage on the dimming pin. It has a built-in 0-10V dimming interface that works directly with 0-10V dimming systems, eliminating the need for a driver circuit and microcontroller. It also provides a PWM digital interface to support wireless SSL applications, without adding auxiliary power supplies. The iW3630 uses Dialog's unique digital *Flickerless*<sup>™</sup> technology to eliminate visible flicker in the entire dimming range and to minimize low frequency output ripple current.

The iW3630 operates the main power converter that delivers constant current to the LED load in quasi-resonant mode to provide high power efficiency and minimize electro-magnetic interference (EMI). It uses Dialog's patented *PrimAccurate*<sup>™</sup> primary-side sensing technology to achieve excellent LED current regulation under different AC line and LED load voltages, without using a secondary-side feedback circuit and eliminating the need for an optocoupler.

The iW3630 minimizes the external components count by simplifying the EMI filter with Dialog's *EZ-EMI*<sup>®</sup> technology. Additionally, the digital control loop of the iW3630 maintains stability over all operating conditions without the need for loop compensation components.

### 2 Features

- Isolated/non-isolated offline 100V<sub>AC</sub>/277V<sub>AC</sub> LED driver controller
- Meets IEC61000-3-2 requirements
- Total harmonic distortion < 15% with Power Factor > 0.95
- Analog input dimming level control
- Built-in 0-10V isolation transformer driver
- PWM digital interface
- Under 10% output ripple current
- Wide dimming range from 1% to 100%
- *Flickerless*<sup>™</sup> LED dimming technology
- Quasi-resonant control to achieve high efficiency (typical > 85%)
- Small size
  - » Two-stage topology enables small-size input and output filter capacitors
  - » 200kHz maximum switching frequency enables small transformer
- *PrimAccurate*<sup>™</sup> primary-side sensing technology eliminates opto-isolator and simplifies design
- Tight LED current regulation
- Supports wide LED output voltage range
- Multiple protection features:
  - » LED open-circuit and short-circuit protection
  - » Over-current protection
  - » Current sense resistor short-circuit protection
  - » AC line over-voltage/frequency protection
  - » Internal junction temperature-based over-temperature protection

### 3 Applications

- Dimmable LED ballast with analog input for dimming control
- Dimmable LED ballast with 0-10V interface for dimming control
- Wireless SSL lighting
- Output power up to 45W



AC/DC Digital Power Controller for High Power Factor Analog and 0-10V Dimmable LED Drivers

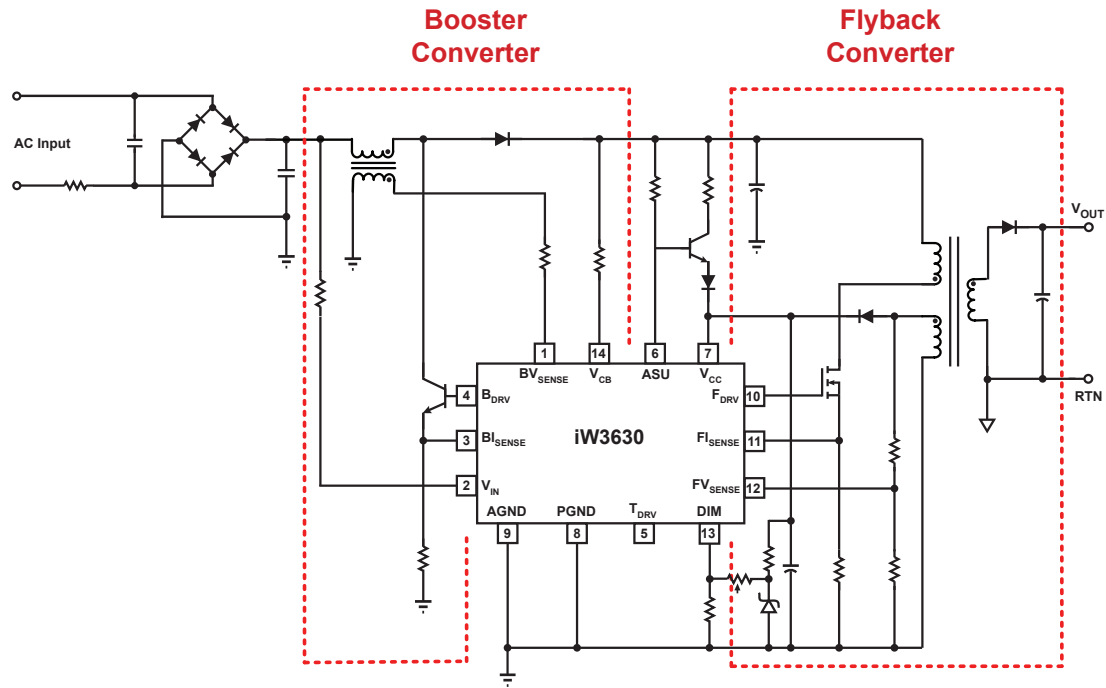


Figure 3.1 : iW3630 Analog Dimming Simplified Schematic

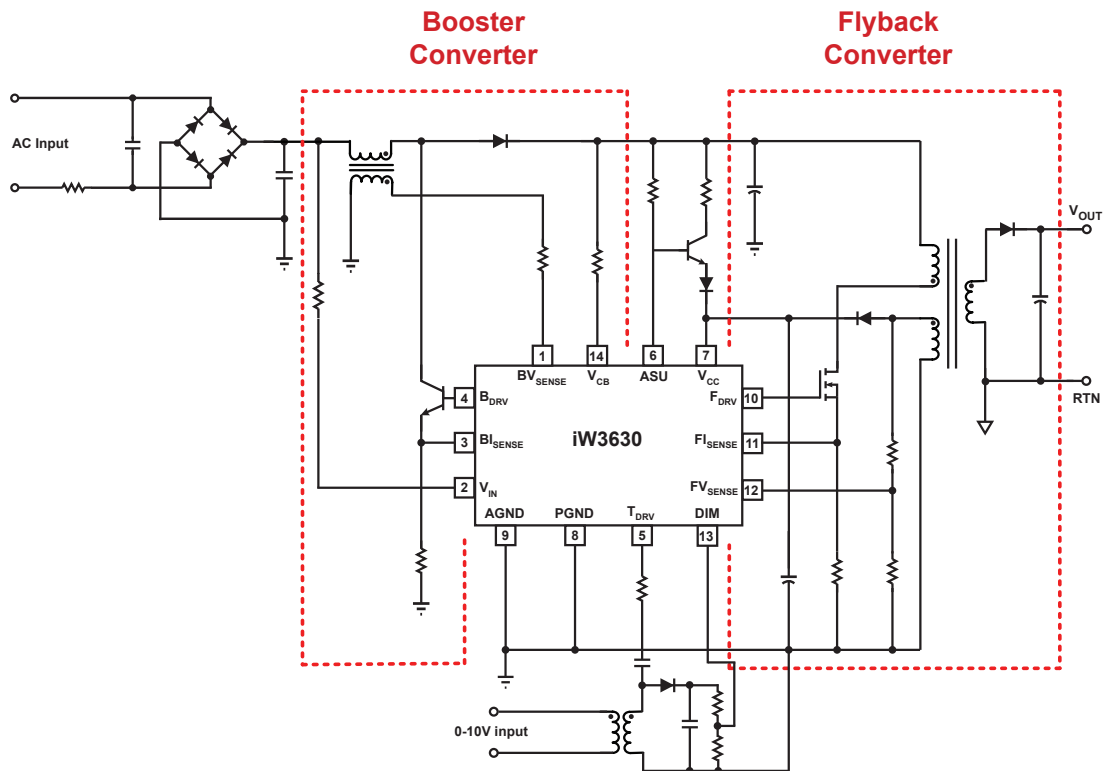


Figure 3.2 : iW3630 0-10V Dimming Simplified Schematic

AC/DC Digital Power Controller for High Power Factor Analog and 0-10V Dimmable LED Drivers

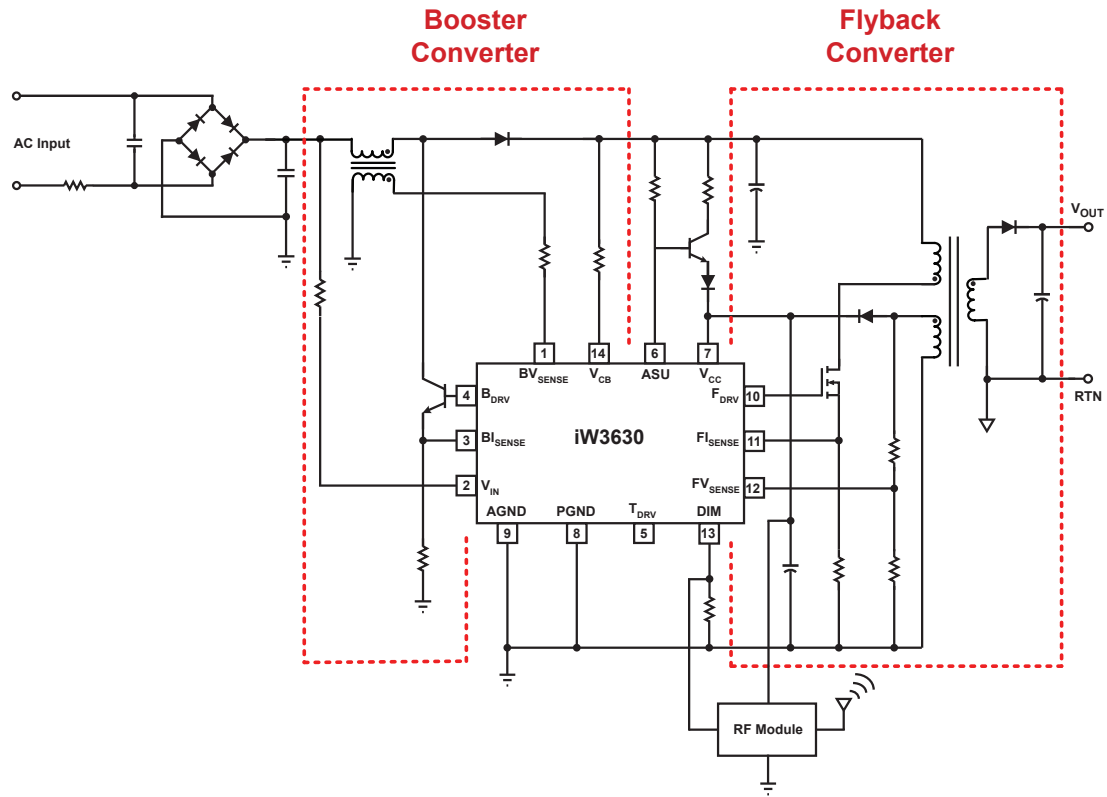


Figure 3.3 : iW3630 Wireless Dimming Simplified Schematic

## AC/DC Digital Power Controller for High Power Factor Analog and 0-10V Dimmable LED Drivers

### 4 Pinout Description

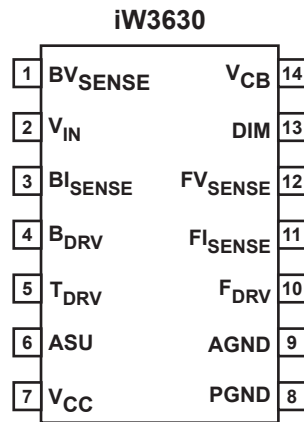


Figure 4.1 : 14-Lead SOIC Package

Pin Number	Pin Name	Type	Pin Description
1	BV <sub>SENSE</sub>	Analog Input	Boost inductor voltage feedback input
2	V <sub>IN</sub>	Analog Input	Rectified AC line voltage input
3	BI <sub>SENSE</sub>	Analog Input	Boost current sense input
4	B <sub>DRV</sub>	Output	Base drive output for boost BJT
5	T <sub>DRV</sub>	Output	0-10V isolation transformer drive output
6	ASU	Output	Active start-up and bleeder control
7	V <sub>CC</sub>	Power	Power supply for control logic and voltage sense for power-on reset circuit
8	PGND	Ground	Power ground
9	AGND	Ground	Signal ground. It should be connected to the power ground on PCB.
10	F <sub>DRV</sub>	Output	Gate drive output for flyback MOSFET
11	FI <sub>SENSE</sub>	Analog Input	Flyback current sense (used for cycle-by-cycle peak current control and limit)
12	FV <sub>SENSE</sub>	Analog Input	Flyback voltage sense (used for primary-side regulation and ZVS)
13	DIM	Analog Input	Dimming level control input
14	V <sub>CB</sub>	Analog Input	Boost output voltage feedback input

## AC/DC Digital Power Controller for High Power Factor Analog and 0-10V Dimmable LED Drivers

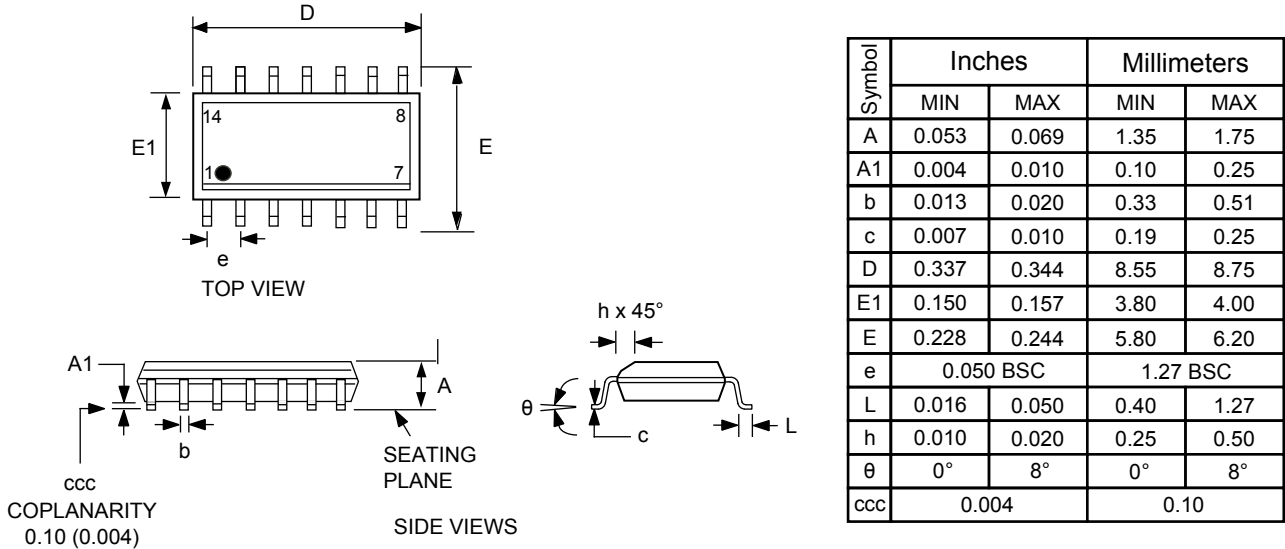
### 5 Absolute Maximum Ratings

Absolute maximum ratings are the parameter values or ranges which can cause permanent damage if exceeded.

Parameter	Symbol	Value	Units
DC supply voltage range (pin 7)	$V_{CC}$	-0.3 to 18	V
$F_{DRV}$ output (pin 10)		-0.3 to 18	V
$B_{DRV}$ output (pin 4)		-0.3 to 4.0	V
$T_{DRV}$ output (pin 5)		-0.3 to 18	V
$FV_{SENSE}$ input (pin 12, $I_{FVSENSE} \leq 10\text{mA}$ )		-0.7 to 4.0	V
$BV_{SENSE}$ input (pin 1, $I_{BVSENSE} \leq 3\text{mA}$ )		-0.7 to 4.0	V
$V_{IN}$ input (pin 2)		-0.3 to 18	V
$V_{CB}$ input (pin 14)		-0.3 to 18	V
$FI_{SENSE}$ input (pin 11)		-0.3 to 4.0	V
$BI_{SENSE}$ input (pin 3)		-0.3 to 4.0	V
ASU output (pin 6)		-0.3 to 18	V
DIM input (pin 13)		-0.3 to 4.0	V
Power dissipation at $T_A \leq 25^\circ\text{C}$		900	mW
Maximum junction temperature	$T_{JMAX}$	150	$^\circ\text{C}$
Storage temperature	$T_{STG}$	-65 to 150	$^\circ\text{C}$
Thermal Resistance Junction-to-PCB Board Surface Temperature	$\psi_{JB}$	45	$^\circ\text{C/W}$
ESD rating per JEDEC JESD22-A114		$\pm 2,000$	V
Latch-up test per JEDEC 78		$\pm 100$	mA

AC/DC Digital Power Controller for High Power Factor Analog and 0-10V Dimmable LED Drivers

6 Physical Dimensions



Compliant to JEDEC Standard MS12F

Controlling dimensions are in inches; millimeter dimensions are for reference only

This product is RoHS compliant and Halide free.

Soldering Temperature Resistance:

[a] Package is IPC/JEDEC Std 020D Moisture Sensitivity Level 1

[b] Package exceeds JEDEC Std No. 22-A111 for Solder Immersion Resistance; package can withstand 10 s immersion < 260°C

Dimension D does not include mold flash, protrusions or gate burrs. Mold flash, protrusions or gate burrs shall not exceed 0.15 mm per end. Dimension E does not include interlead flash or protrusion. Interlead flash or protrusion shall not exceed 0.25 mm per side.

The package top may be smaller than the package bottom. Dimensions D and E are determined at the outermost extremes of the plastic body exclusive of mold flash, tie bar burrs, gate burrs and interlead flash, but including any mismatch between the top and bottom of the plastic body.

Figure 6.1 : 14-Lead SOIC Package

7 Ordering Information

Part no.	Options	Package	Description
iW3630-00	Universal input, 0-10V dimmable	SOIC-14	Tape & Reel <sup>1</sup>

Note 1: Tape and reel packing quantity is 2,500/reel.

## AC/DC Digital Power Controller for High Power Factor Analog and 0-10V Dimmable LED Drivers

### IMPORTANT NOTICE AND DISCLAIMER

RENESAS ELECTRONICS CORPORATION AND ITS SUBSIDIARIES (“RENESAS”) PROVIDES TECHNICAL SPECIFICATIONS AND RELIABILITY DATA (INCLUDING DATASHEETS), DESIGN RESOURCES (INCLUDING REFERENCE DESIGNS), APPLICATION OR OTHER DESIGN ADVICE, WEB TOOLS, SAFETY INFORMATION, AND OTHER RESOURCES “AS IS” AND WITH ALL FAULTS, AND DISCLAIMS ALL WARRANTIES, EXPRESS OR IMPLIED, INCLUDING, WITHOUT LIMITATION, ANY IMPLIED WARRANTIES OF MERCHANTABILITY, FITNESS FOR A PARTICULAR PURPOSE, OR NON-INFRINGEMENT OF THIRD PARTY INTELLECTUAL PROPERTY RIGHTS.

These resources are intended for developers who are designing with Renesas products. You are solely responsible for (1) selecting the appropriate products for your application, (2) designing, validating, and testing your application, and (3) ensuring your application meets applicable standards, and any other safety, security, or other requirements. These resources are subject to change without notice. Renesas grants you permission to use these resources only to develop an application that uses Renesas products. Other reproduction or use of these resources is strictly prohibited. No license is granted to any other Renesas intellectual property or to any third-party intellectual property. Renesas disclaims responsibility for, and you will fully indemnify Renesas and its representatives against, any claims, damages, costs, losses, or liabilities arising from your use of these resources. Renesas' products are provided only subject to Renesas' Terms and Conditions of Sale or other applicable terms agreed to in writing. No use of any Renesas resources expands or otherwise alters any applicable warranties or warranty disclaimers for these products.

© 2024 Renesas Electronics Corporation. All rights reserved.

(Disclaimer Rev.1.01 Jan 2024)

### Corporate Headquarters

TOYOSU FORESIA, 3-2-24 Toyosu  
Koto-ku, Tokyo 135-0061, Japan  
[www.renesas.com](http://www.renesas.com)

### Contact Information

For further information on a product, technology, the most up-to-date version of a document, or your nearest sales office, please visit:  
[www.renesas.com/contact/](http://www.renesas.com/contact/)

### Trademarks

Renesas and the Renesas logo are trademarks of Renesas Electronics Corporation. All trademarks and registered trademarks are the property of their respective owners.