

Single-Stage, High PF, Low THD Constant-Voltage/Constant-Current AC/DC Controller for LED Lighting up to 100W

1 Description

The iW3671 is a single-stage high-performance AC/DC primary-side-regulation PWM controller with power factor correction (PFC). It is designed to support flyback and buck-boost topologies at output power levels up to 100W. The iW3671 supports different types of loading including constant power (CP) loads such as a second-stage DC/DC converter; and constant resistance (CR) loads such as LED light strips.

The iW3671 uses Dialog's **PrimAccurate™** technology to provide accurate constant voltage (CV) and constant current (CC) regulation across AC line and load conditions. The digital control eliminates the need for external loop compensation while maintaining stability across all operating conditions. With Dialog's patented **PF-Boost™** technology, the iW3671 can achieve power factor (PF) greater than 0.9 and total harmonic distortion (THD) less than 20% at 50% or greater loading and across the entire AC line voltage range.

The iW3671 can achieve less than 150mW standby power loss while keeping excellent load transient response in CV mode. In addition, there is no audible noise during load transient or during startup, which is a typical shortcoming of most PFC CV controllers. Startup time is less than 0.25s with active startup circuit and advanced startup control in the iW3671.

The iW3671 also features various protections such as output over-voltage, output short-circuit, AC over-voltage, AC under-voltage, current-sense-resistor short, over-current and over-temperature protections. This ensures great system reliability.

2 Features

- Universal AC input voltage range $90V_{AC} \sim 305V_{AC}$
- Supports up to 100W output power in tiny SOT-23 package
- CV mode AC line and load regulation $< \pm 3\%$
- CC mode AC line and load regulation $< \pm 5\%$
- $PF > 0.9$ and $THD < 20\%$ across AC line voltage for $> 50\%$ of full load
- Fast startup time $< 0.25s$
- Standby power $< 150mW$ at $230V_{AC}$ input up to 100W with external active startup DFET circuit
- No audible noise across AC line and load conditions, and during load transient or startup
- Wide operating supply voltage (V_{VCC}) range from 8.0V to 20V
- Comprehensive protection features
 - » Output over-voltage protection
 - » Output short-circuit protection
 - » AC over-voltage protection
 - » AC under-voltage protection (Brown-out)
 - » Cycle-by-cycle peak current limit
 - » Current-sense-resistor short protection
 - » Over-temperature protection

3 Applications

- Two-stage or single-stage LED lighting drivers
- AC-DC adapters, TVs, monitor power supplies that require power factor

Single-Stage, High PF, Low THD Constant-Voltage/Constant-Current AC/DC Controller for LED Lighting up to 100W

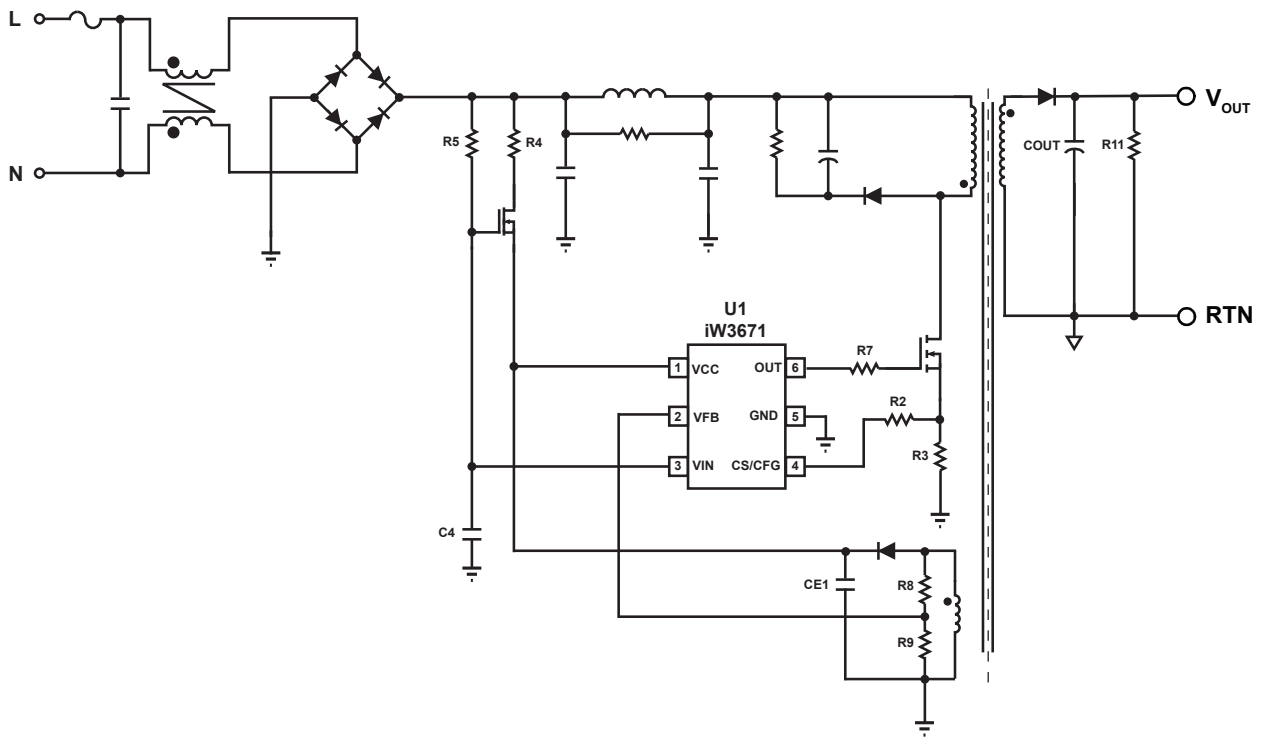


Figure 3.1 : iW3671 Typical Application for LED Power Supply

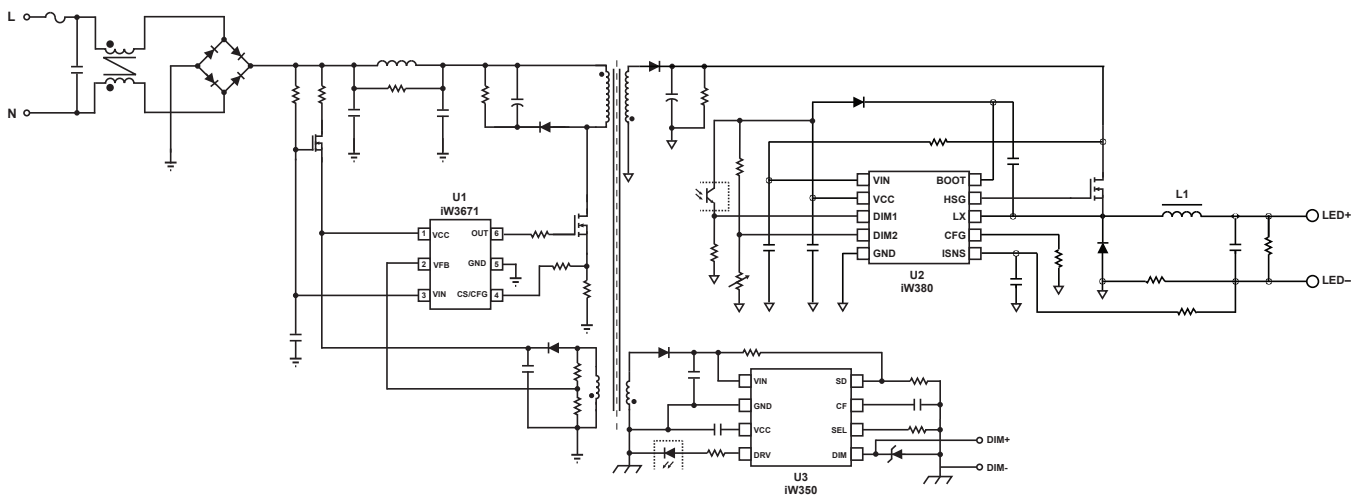


Figure 3.2 : iW3671 Application for 2-Stage Dimmable LED Driver with iW380 and iW350

Single-Stage, High PF, Low THD Constant-Voltage/Constant-Current AC/DC Controller for LED Lighting up to 100W

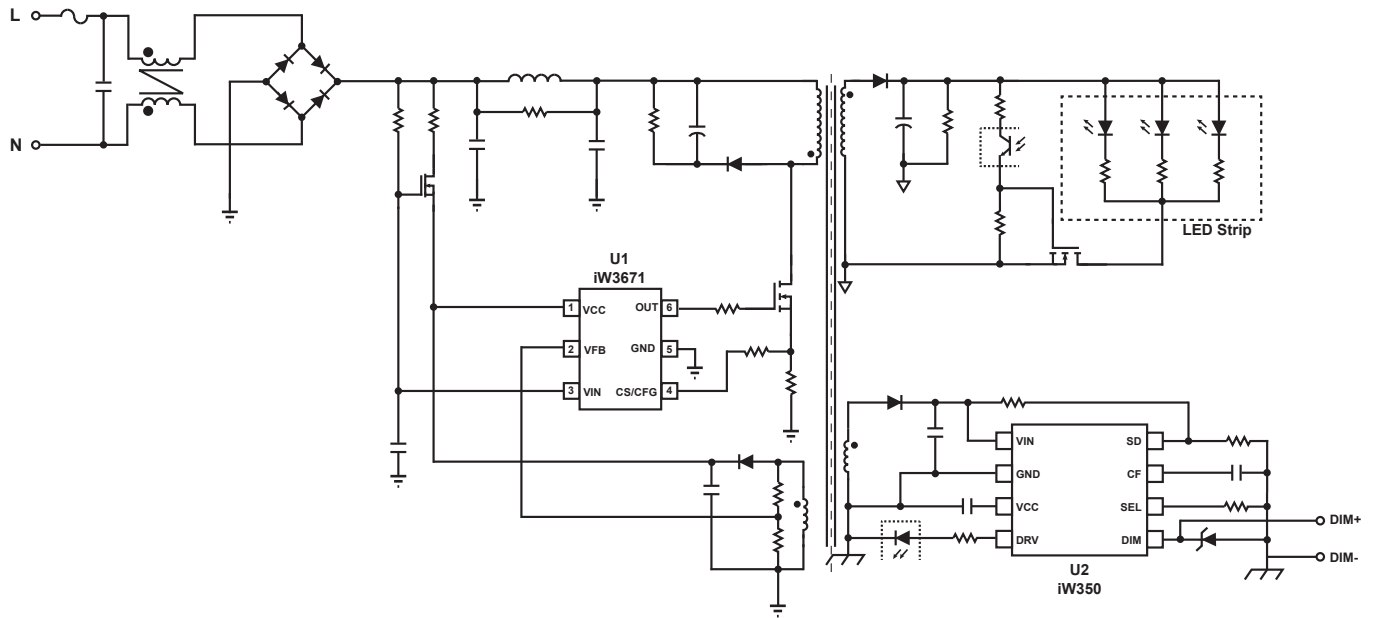


Figure 3.3 : iW3671 Application for Dimmable LED Light Strip Driver with iW350

Single-Stage, High PF, Low THD Constant-Voltage/Constant-Current AC/DC Controller for LED Lighting up to 100W

4 Pinout Description

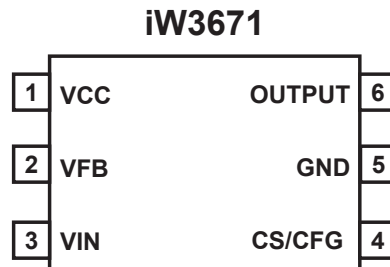


Figure 4.1 : 6-Lead SOT23 Package

Pin Number	Pin Name	Type	Pin Description
1	VCC	Power Input	IC power supply.
2	VFB	Analog Input	Output voltage and transformer reset sense.
3	VIN	Analog Input	Input AC line voltage sense.
4	CS/CFG	Analog Input	Power MOSFET current sense and configuration.
5	GND	Ground	Ground reference.
6	OUTPUT	Analog Output	Power MOSFET gate drive .

Single-Stage, High PF, Low THD Constant-Voltage/Constant-Current AC/DC Controller for LED Lighting up to 100W

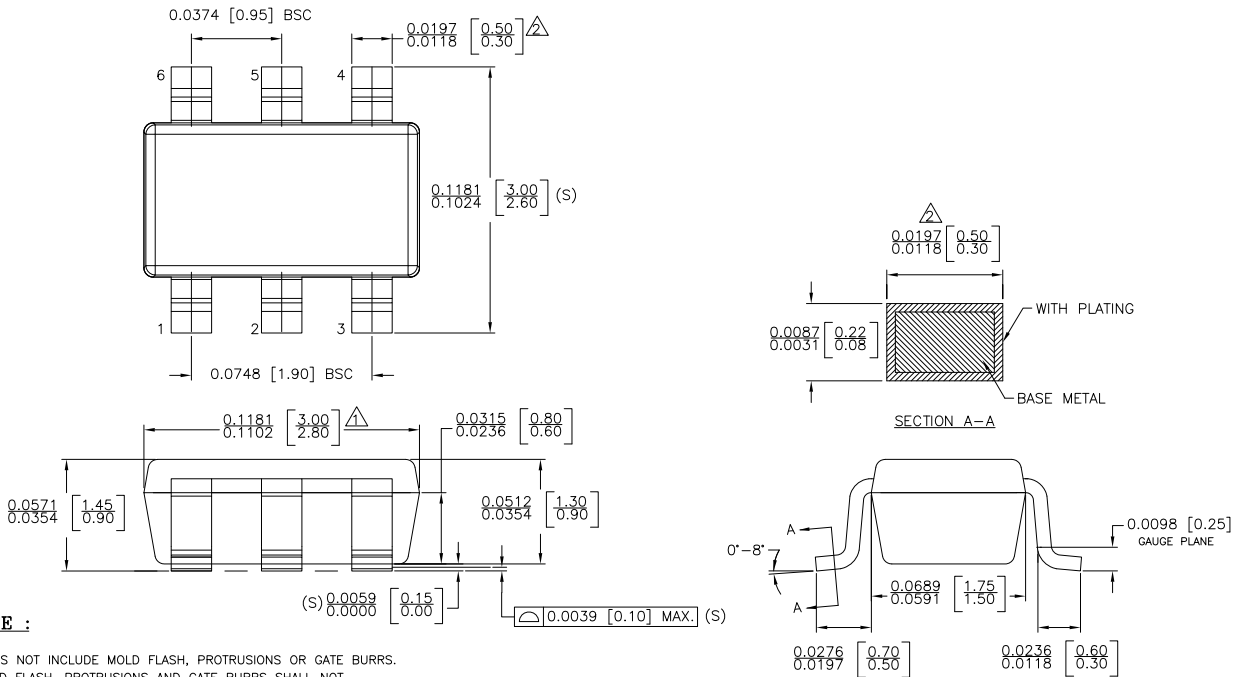
5 Absolute Maximum Ratings

Absolute maximum ratings are the parameter values or ranges which can cause permanent damage if exceeded. For maximum safe operating conditions, refer to Electrical Characteristics in Section 6.

Parameter	Symbol	Value	Units
DC supply voltage range (pin 1, $I_{VCC} = 20\text{mA max}$)	V_{VCC}	-0.3 to 22.0	V
Continuous DC supply current at VCC pin ($V_{VCC} = 15\text{V}$)	I_{VCC}	20	mA
V_{VIN} (pin 3)		-0.3 to 20.0	V
OUTPUT (pin 6)		-0.3 to 20.0	V
V_{VFB} (pin 2, $I_{VFB} \leq 10\text{mA}$)		-0.7 to 5.0	V
CS/CFG input (pin 4)		-0.3 to 5.0	V
Maximum junction temperature	T_{JMAX}	150	°C
Operating junction temperature	T_{JOPT}	-40 to 150	°C
Storage temperature	T_{STG}	-65 to 150	°C
Thermal resistance junction-to-ambient	θ_{JA}	100	°C/W
ESD rating per JEDEC JS-001-2017		$\pm 2,000$	V
Latch-up test per JESD78E		± 100	mA

Single-Stage, High PF, Low THD Constant-Voltage/Constant-Current AC/DC Controller for LED Lighting up to 100W

6 Physical Dimensions



NOTE :

- △ DOES NOT INCLUDE MOLD FLASH, PROTRUSIONS OR GATE BURRS. MOLD FLASH, PROTRUSIONS AND GATE BURRS SHALL NOT EXCEED 0.127 MM PER SIDE.
- △ DOES NOT INCLUDE INTER-LEAD FLASH OR PROTRUSIONS. INTER-LEAD FLASH AND PROTRUSIONS SHALL NOT EXCEED 0.127 MM PER SIDE.
- 3. DIE IS FACING UP FOR MOLD. DIE IS FACING DOWN FOR TRIM/FORM.
- 4. THIS PART IS COMPLIANT WITH EIA/J SPECIFICATION SC74A AND JEDEC SPECIFICATION MO-178AB.
- 5. LEAD SPAN/STAND OFF HEIGHT/COPLANARITY ARE CONSIDERED AS SPECIAL CHARACTERISTIC(S).
- 6. CONTROLLING DIMENSIONS IN INCHES. [mm]

STATUS: RELEASED		SCALE: DO NOT SCALE	
TERMINAL FINISH: 100% Sn or NiPdAu (PPF)			
TITLE: 6 SOT23 PACKAGE OUTLINE			
REV: A	REVISION NOTE: NEW DRAWING	DATE: 02-MAR-2015	

7 Ordering Information

Part Number	Description	Package	Description
iW3671-001 iW3671-00C	Optimized for 1-stage or 2-stage CV applications	SOT-23	Tape & Reel ²

Note 1: Not recommended for new designs, please use the -xxC version.

Note 2: Tape & Reel packing quantity is 3,000/reel. Minimum packing quantity is 3,000.

Single-Stage, High PF, Low THD Constant-Voltage/Constant-Current AC/DC Controller for LED Lighting up to 100W

IMPORTANT NOTICE AND DISCLAIMER

RENESAS ELECTRONICS CORPORATION AND ITS SUBSIDIARIES ("RENESAS") PROVIDES TECHNICAL SPECIFICATIONS AND RELIABILITY DATA (INCLUDING DATASHEETS), DESIGN RESOURCES (INCLUDING REFERENCE DESIGNS), APPLICATION OR OTHER DESIGN ADVICE, WEB TOOLS, SAFETY INFORMATION, AND OTHER RESOURCES "AS IS" AND WITH ALL FAULTS, AND DISCLAIMS ALL WARRANTIES, EXPRESS OR IMPLIED, INCLUDING, WITHOUT LIMITATION, ANY IMPLIED WARRANTIES OF MERCHANTABILITY, FITNESS FOR A PARTICULAR PURPOSE, OR NON-INFRINGEMENT OF THIRD PARTY INTELLECTUAL PROPERTY RIGHTS.

These resources are intended for developers skilled in the art designing with Renesas products. You are solely responsible for (1) selecting the appropriate products for your application, (2) designing, validating, and testing your application, and (3) ensuring your application meets applicable standards, and any other safety, security, or other requirements. These resources are subject to change without notice. Renesas grants you permission to use these resources only for development of an application that uses Renesas products. Other reproduction or use of these resources is strictly prohibited. No license is granted to any other Renesas intellectual property or to any third party intellectual property. Renesas disclaims responsibility for, and you will fully indemnify Renesas and its representatives against, any claims, damages, costs, losses, or liabilities arising out of your use of these resources. Renesas' products are provided only subject to Renesas' Terms and Conditions of Sale or other applicable terms agreed to in writing. No use of any Renesas resources expands or otherwise alters any applicable warranties or warranty disclaimers for these products.

© 2022 Renesas Electronics Corporation. All rights reserved.

RoHS Compliance

Dialog Semiconductor's suppliers certify that its products are in compliance with the requirements of Directive 2011/65/EU of the European Parliament on the restriction of the use of certain hazardous substances in electrical and electronic equipment. RoHS certificates from our suppliers are available on request.

(Rev.1.0 Mar 2020)

Corporate Headquarters

TOYOSU FORESIA, 3-2-24 Toyosu
Koto-ku, Tokyo 135-0061, Japan
www.renesas.com

Contact Information

For further information on a product, technology, the most up-to-date version of a document, or your nearest sales office, please visit:
www.renesas.com/contact/

Trademarks

Renesas and the Renesas logo are trademarks of Renesas Electronics Corporation. All trademarks and registered trademarks are the property of their respective owners.