

RZ Ecosystem Partner Solution

iWave OSM-based Single Board Computer



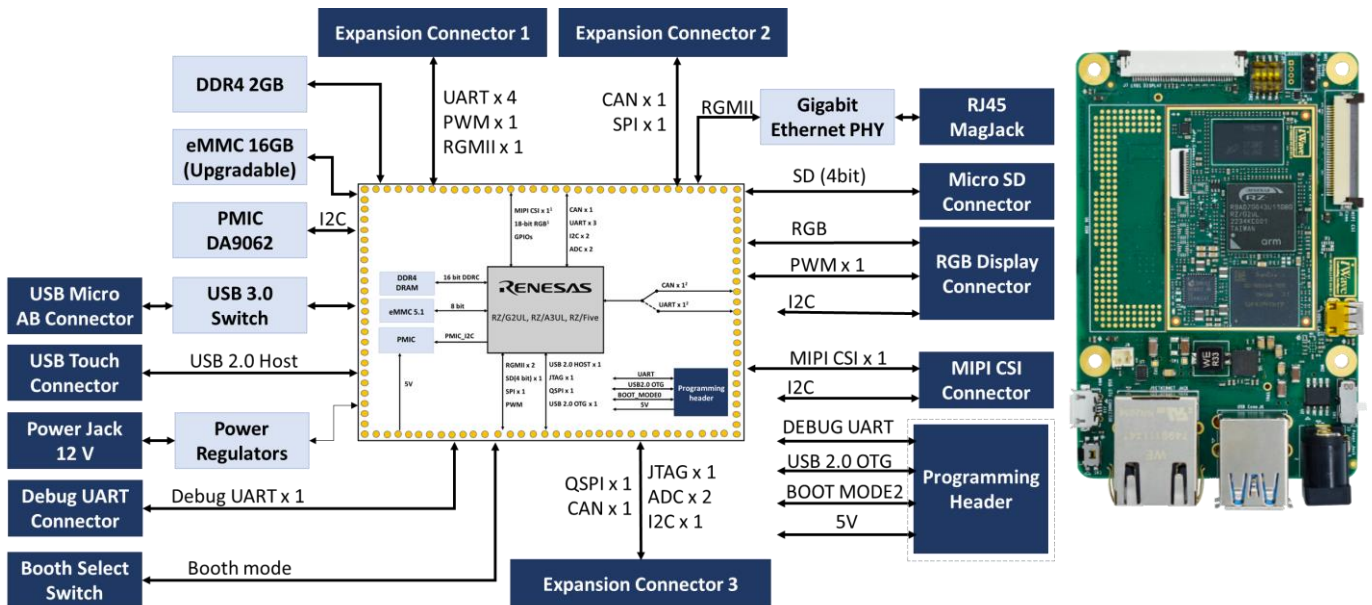
Solution Summary

The iW-RainboW-G53S is a compact and versatile single board computer (SBC) with enhanced connectivity. It is compatible with [RZ/G2UL](#), [RZ/A3UL](#), or [RZ/Five](#) processor OSM modules, offering scalable memory options. With a dedicated camera and display connector, plus multiple expansion connectors, this SBC provides flexibility to interface with wireless, analog, and sensor components, greatly expanding its application possibilities.

Features/Benefits

- Flexibility : Support RZ/G2UL or RZ/A3UL or RZ/Five
- Discover full potential of RTOS with RZ/A3UL and Linux with RZ/G2UL & RZ/Five
- Seamless migration: Ensuring smooth adaptation between ARM and RISC-V architectures
- Multiple connectivity options, including display, camera, and expansion connector for IO cards.
- Rugged Design: -40°C to +85°C Industrial Grade Components. Compact Form Factor 85mm x 56mm
- Robust ecosystem and product longevity of more than 10 years .

Diagrams/Graphics



Target Markets and Applications

- IoT Edge Equipment
- Gateway
- Human Machine Interface
- Point of Sale Equipment



Company Name	iWave Systems Technologies Pvt. Ltd.
Headquarters	#7/B, 29th Main, BTM Layout 2nd Stage, Bangalore – 560 076, INDIA.
Date of Establishment	03 Sep 1999
Managing Director	Abdullah Khan.M.
Industry Type	Embedded Systems
Number of employees	250
Company Overview	<p>iWave Systems specializes in embedded solutions for Industrial, Medical, Automotive, and various other Embedded Computing applications. We offer a wide range of System On Modules and Single Board Computers in various form factors, including Qseven, SMARC, SODIMM, and OSM. Our ODM solutions cater to automotive edge analytics and rugged performance solutions for industrial use. With certified manufacturing partners in the USA, Japan, and Taiwan, we deliver high-quality CPU modules, single-board computers, and customized chip-on-board designs. Our comprehensive engineering services cover embedded hardware, FPGA, and software development, including carrier board and custom hardware development, manufacturing, and certification.</p>
Email	mktg@iwavesystems.com