

RZ Ecosystem Partner Solution

MYZR RZ System On Modules



Solution Summary

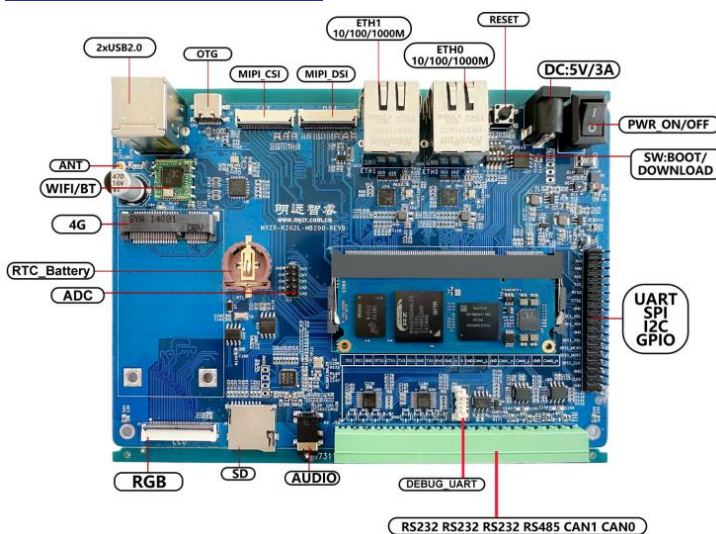
MYZR developed four system on modules (SOM) embedded with different Renesas RZ high-end processors (MPU) to meet the various market needs. All SOMs provide rich communication interfaces including but not limited to Ethernet, UART, SPI, I2C, CANFD and PWM interfaces to connect to peripheral devices such as WLAN, Bluetooth, GPS, 4G internet modules, and cameras.

1. MYZR-RZG2L-EK200 embedded with [RZ/G2L](#) 64-bit processor, dual-core Arm® Cortex-A55@1.2GHz and sub-core Cortex-M33 were integrated, supporting graphics accelerator, encoding and decoding capabilities.
2. MYZR-RZG2UL-EK200 embedded with [RZ/G2UL](#) 64-bit processor, single-core Arm® Cortex-A55@1.0GHz and sub-core Cortex-M33 were integrated, supporting ISU, MIPI-CSI, RGB display.
3. MYZR-RZA3UL-EK200 embedded with [RZA3UL](#) 64-bit Arm® Cortex-A55@1.0GHz processor, the RTOS operating system is ideal for systems requiring fast response time.
4. MYZR-RZFIVE-EK200 embedded with [RZ/Five](#) 64-bit processor, single RISC-V AX45MP@1.0 GHz was integrated, PIN compatible with RZ/G2UL.

Features/Benefits

- Family products by offering 4 kinds of SoM modules plus embedded EVK board.
- Optional embedded Linux and ROTS for both real-time and non-real-time applications.
- Provides solutions for hardware migration between ARM and RISC-V architectures.
- Ultra high-cost performance.

Diagrams / Graphics







Target Markets and Applications

- Human Machine Interface (HMI)
- Industrial automation
- Transportation
- Smart city, Smart home

<https://www.myzr-tech.com/development-board/renesas-rz-development-board/>

Comparison Table

Picture	 MYZR-G2L-CB200	 MYZR-G2UL-CB200	 MYZR-A3ULCB200	 MYZR-FIVE-CB200
CPU	1/2x Cortex-A55@1.2GHz +Cortex-M33	1x Cortex-A55@1.0GHz +Cortex-M33	1x Cortex-A55@1.0GHz	1x Andes-AX45MP@1.0GHz
Processor	RZ/G2L	RZ/G2UL	RZ/A3UL	RZ/FIVE
Frequency	1.2GHz	1.0GHz	1.0GHz	1.0GHz
GPU	ARM-Mali-G31	/	/	/
VPU	H.264/MVC,ISU	ISU	ISU	/
DDR	1/2GB	1/2GB	1/2GB	1/2GB
Storage	8GB Up to 64GB	8GB Up to 64GB	8GB Up to 64GB	8GB Up to 64GB
Kernel Version	Linux 5.10	Linux 5.10	FreeRTOS	Linux 5.10
GUI	QT5.6	QT5	GUI	/
Temperature Range	-40°C to +85°C	-40°C to +85°C	-40°C to +85°C	-40°C to +85°C
Power Supply Voltage	3.6V	3.6V	3.6V	3.6V
Size	67.6mm x 26.1mm	67.6mm x 26.1mm	67.6mm x 26.1mm	67.6mm x 26.1mm