

RZ Ecosystem Partner Solution Novotech Ariaboard-RZ/V2M



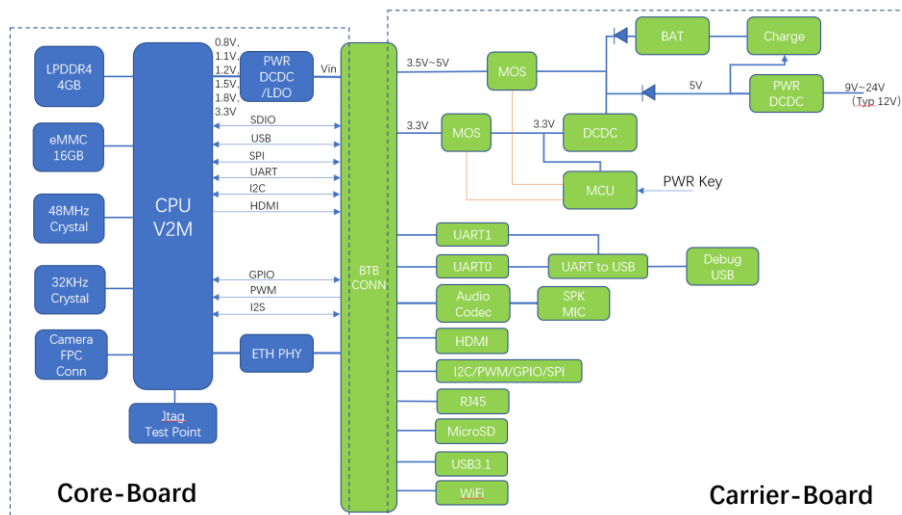
Solution Summary

The ariaboard-RZ/V2M is a SoM(System on module) for mass production that is equipped with Renesas' DRP-AI technology embedded in [RZ/V2M](#). It is ideal for vision AI applications in a wide range of embedded markets, including surveillance security, retail, office automation (OA), industrial automation, robotics, and healthcare.

Features/Benefits

- ARM Cortex-A53 Dual core up to 1.0GHz
- Artificial Intelligence
 - AI Accelerator; DRP-AI at 1.0 TOPS/W class
 - Camera Interface; 1x MIPI CSI
- Equipped the eMMC 16GB and LPDDR4 4GB memory
- Edge Connector Features(USB3.1¥SDIO¥Giga Net¥HDMI¥Audio)
- CarrierBoard and Linux BSP available

Diagrams/Graphics

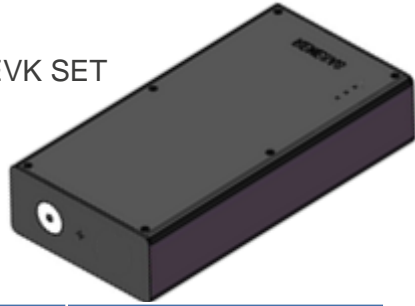


Target Markets and Applications

- | | |
|-------------------------|-------------------------|
| • Surveillance Security | • Industrial Automation |
| • Retail | • Robotics |
| • Office Automation | • Healthcare |

Ariaboard - RZ/V2M EVK

EVK SET



| Board Name | Size |
|------------------------------|------------------------|
| Core Board | 60mm x 47mm x 1.2mm |
| Carrier Board | 118.2mm x 70mm x 1.6mm |
| EVK SET | 150mm x 76.5mm x 32mm |
| Li Battery (5200mAh@3.7V) | 65mm x 55mm x 10mm |

