

## RZ Ecosystem Partner Solution OneKiwi RZ/G2L SOM



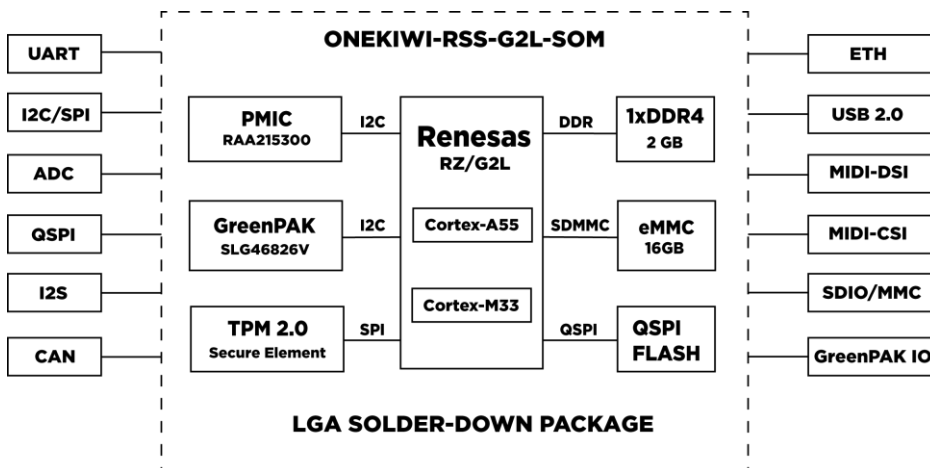
### Solution Summary

OneKiwi SOMs provide reliable hardware and software solutions for rapid development. The RZ/G2L SOM leverages the performance of the [Renesas RZ/G2L](#) 64-bit Cortex®-A55 microprocessor and 200MHz Cortex-M33 cores with graphics and video CODEC engine, as well as many interfaces such as CSI, DSI, USB 2.0, and Gigabit Ethernet, providing a cost-efficient solution for HMI applications and embedded devices with video capabilities. The SOM's hardware with a built-in GreenPAK™ Programmable Mixed-signal Matrix with In-System Programmability with EEPROM (read/write protection) emulation memory enables external IC reduction and makes interface bridge like serial to parallel conversion or custom glue logic.

### Features/Benefits

- RZ/G2L dual core Cortex-A55 1.2 GHz, Cortex-M33 CPU, Mali-G31 GPU
- Storage eMMC 16 GB and RAM 2 GB DDR4
- TPM 2.0 to protect integrity and authenticity of embedded systems
- -40 to +85 C industrial temperature rating
- 50mm x 50mm solder-down form factor

### Diagrams/Graphics



### Target Markets and Applications

- Media streaming gateway
- Smart IoT gateway
- Smart city
- Smart energy applications



OneKiwi is a fast-growing start-up company that specializes in designing and manufacturing high-performance SOMs (System on Module) and BMS (Battery Management System) for various applications, such as Industrial Automation, Robotics, IoT, AI-based Applications and more.

OneKiwi is committed to delivering high-quality, reliable, and innovative SOM solutions to its customers.

We are constantly improving its products and services and staying ahead of the latest trends and technologies in the embedded system industry. OneKiwi is your trusted and preferred SOM partner.

Prime focus areas are:

- System on Modules (SoMs) & Battery Management System (BMS) Solution Provider
- Independent Design House (IDH)
- Antenna performance Testing & Optimization

### Mission and Vision

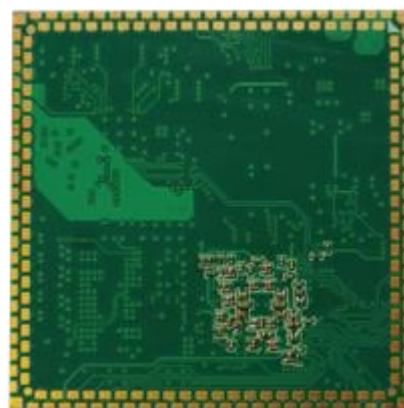
**Mission:** OneKiwi pioneers IoT & Embedded solutions, connecting the world for a smarter future. Our expertise drives innovation, creating secure and scalable IoT solutions for homes, industries, and beyond. Join us in shaping a connected tomorrow.

**Vision:** To be the preferred partner for startups and businesses, driving advancements in embedded technology, IoT, renewable energy, and smart city solutions, and fostering a collaborative ecosystem for innovation and growth.

Web: <https://onekiwi.com.vn/>

Contact: [enquiry@ontech.com.vn](mailto:enquiry@ontech.com.vn)

Location: Asean/ Vietnam



Shop: [www.onekiwi.com.vn/product/som-renesas-rz-g2l/](http://www.onekiwi.com.vn/product/som-renesas-rz-g2l/)