

RA Ecosystem Partner Solution Voice Recognition Solution



Solution Summary

Pachira Voice Recognition solution delivers an offline wake-up command trigger with fast response time and voice playback support. Integrated DSP (Fortemedia) enables beamforming, noise immunity and echo cancellation for the [RA MCU](http://www.pachira.cn/index.html)-based solution. Learn more at <http://www.pachira.cn/index.html>

Features/Benefits

- High accuracy voice recognition rate, far-field feature support of up to 5 meters
- Wake-up command based trigger with fast response time
- Beamforming, noise immunity, echo cancellation
- Voice playback support
- Voice recognition w/o Cloud connection, enabling local voice identification

Diagrams/Graphics

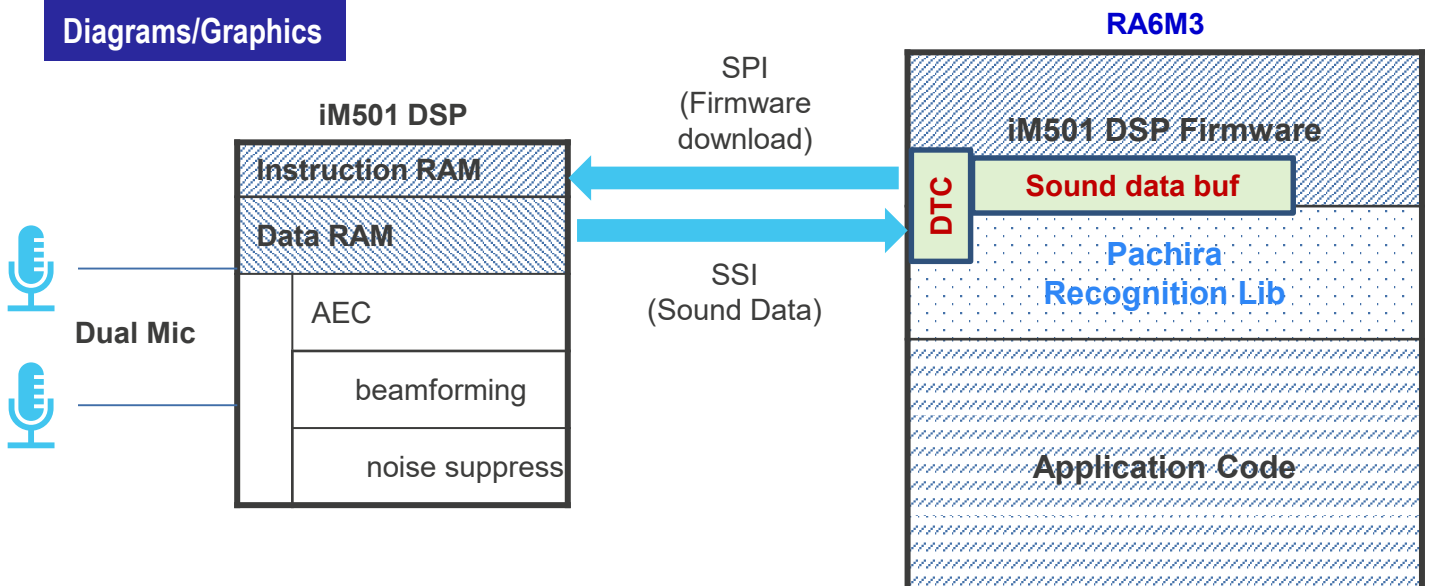


Figure: Pachira Voice Recognition Solution Architecture

Target Markets and Applications

- Range Hood / Smart Toilet
- Small Home Appliances
- IoT Edge Devices
- Vehicle