



RZ Ecosystem Partner Solution

Scalys Cybersecure Platform



Solution Summary

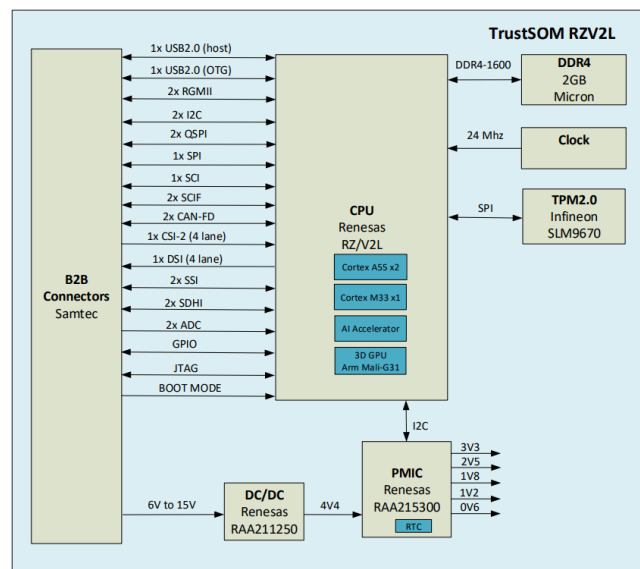
Scalys' hardware hardened TrustSys RZ/V2L solution with DRP-AI accelerator secures local Artificial Intelligence (AI) driven data processing by running applications in a tamper-proof, trusted environment and protect companies from cyber threats. The Trust SOM RZ/V2L is equipped with the Renesas [RZ/V2L](#) microprocessor.

Features/Benefits

- Cyber secure platform with discrete TPM (trusted platform module)
- Secure intellectual property, data and communication
- Compliant with security regulation
- Hardware and software hardening services like provisioning and regular updates
- Ready for confidential computing

Diagrams/Graphics

Secure vital processes by running precious applications in a trusted environment.



Target Markets and Applications

- Smart Energy
- Automation and Control
- Smart Health
- Networking and Computing
- Government and Defense
- Building Automation



Scalys

Security at the edge



Secure hardened communication devices

Scalys is the leader in cyber-secure communication. Our hardware hardened solutions secure companies around the globe and protect them from cyber threats.

Securing your intellectual property, data, and communication

Smart Energy, Automation and Control, Smart Health, Networking and Computing, Government and Defense, Building Automation.

Leader in cyber secure communication

SCALYS, Security at the edge, means proven security solutions based on a zero-trust principle. Hardware is the foundation of any organization. Our hardware is designed around several layers of security to minimize the chance of a security breach.

How we help organizations

With our unique understanding of how to create highly secure hardware, combined with market insights we help our customers to create a cyber-secure environment.

Scalys product solutions

Our products are core for routers, (I)IoT gateways, edge devices, and office environment security. We provide a cyber secure communication solution for every organization. Our hardware hardened solutions range from ready-to-deploy devices for networking, applications, or offices to portable cyber secure devices.

Secure by design

Secure by design is our uniqueness. To build a completely secure solution from scratch, starting from secure boot to protecting data in use, transportation or storage is part of our DNA. By combining hardware, software, and a focus on longevity support, our hardened configuration is key to protecting your organization.

Scalys BV
Amarilstraat 14
7554 TV Hengelo
The Netherlands

www.scalys.com
info@scalys.com
+ 31 74 2555 712