

# RZ Ecosystem Partner Solution

## Shimafuji SBEV-RZ/T2M

### Evaluation Board



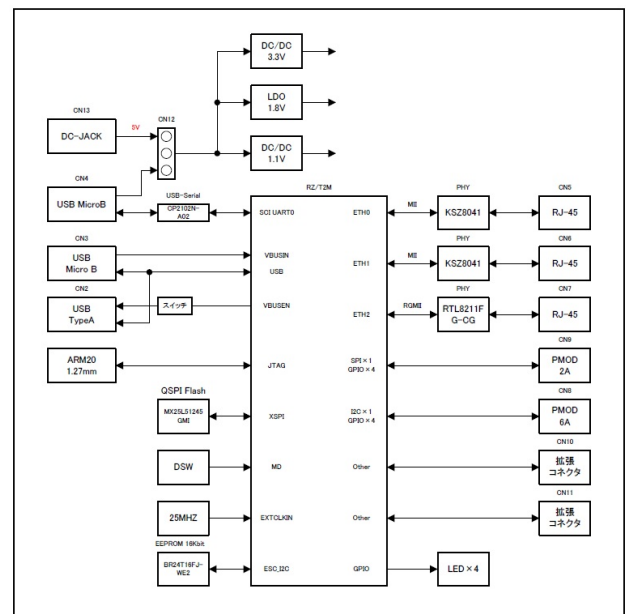
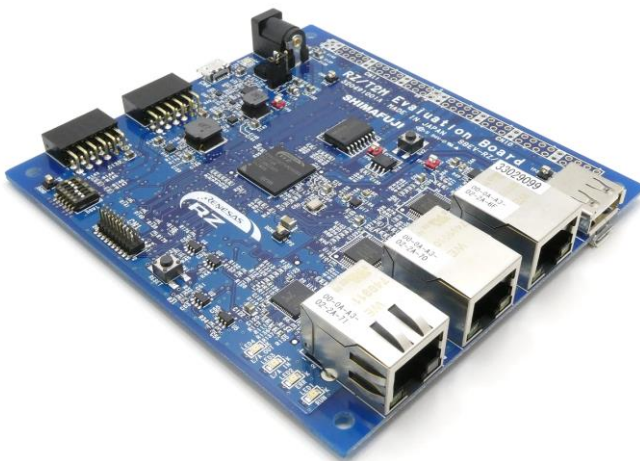
#### Solution Summary

This evaluation board is equipped with the Renesas [RZ/T2M](#) MPU, allowing development and evaluation of software for best-in-class real-time control applications including high-speed processing, real-time responsiveness, industrial Ethernet compatibility, and functional safety that are designed for industrial equipment such as AC servos.

#### Features/Benefits

- ARM® Cortex™-R52 (800MHz MAX) x2
- Tightly coupled memory (576KB)
- Ethernet (GbE x1, 10/100 x2)
- PMOD (SPI x1, I2C x1)
- USB Type-A(Host), Type-B(Function), Type-B(USB-Serial)

#### Diagrams/Graphics



#### Target Markets and Applications

- Industrial equipment
- Motor control
- Home appliance

## Company Profile

We are specialized in embedded board development, such as schematic, board design, FPGA and DRP design, debugging and etc. We provide the best service and combination to the customers. We contribute to the customers and society with our technological development capabilities and specialized knowledge.

## About us

Company name Shimafuji Electric Inc.

Establishment November in 1990

Our Business Development of computer-related equipment (hardware and software),  
manufacture and sales

location 6-36-11 Nishi Kamata, Ota-ku, Tokyo Japan

Contact us [info@shimafuji.co.jp](mailto:info@shimafuji.co.jp)

WEB Site <http://www.shimafuji.co.jp/en>

