

Renesas Ready Ecosystem Partner Solution

SMH FlashRunner High-Speed



PARTNER
NETWORK

READY

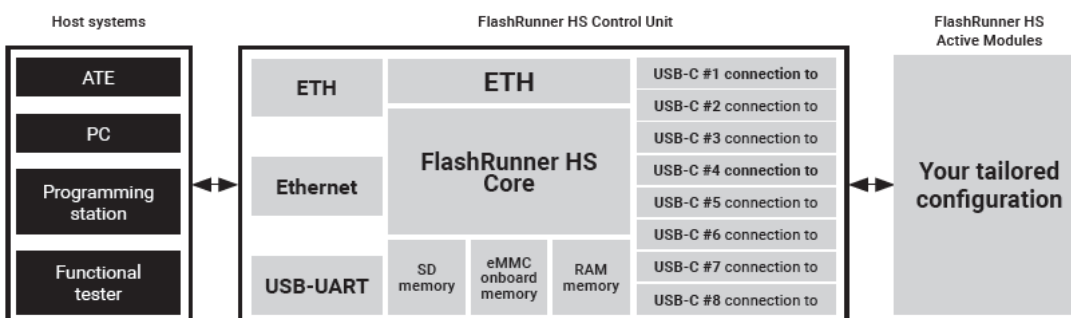
Solution Summary

FlashRunner High-Speed is a universal parallel In-System Programmer supporting up to 32 targets in parallel. FlashRunner High-Speed combines high-level programming performances and high modularity to deliver a multi-end programming solution. The Control Unit is the central management coordinating different technologies for each peripheral Active Module. Support is available for the [RA Family](#), [RX Family](#) and [RL78 Family](#).

Features/Benefits

- Supports wide range of [Renesas products](#)
- LAN and USB connection and control:
 - User-friendly GUI
 - SDK/API: DLL in C/C++ and C#
 - Command Line control
- Standalone control
- Data protection with user's firmware encryption
- Device's security features supported
- Dynamic memory: change firmware content dynamically for, i.e., serial numbering
- Board supply voltage and current up to 12 V and 200 mA
- Big size memories high data transfer rate

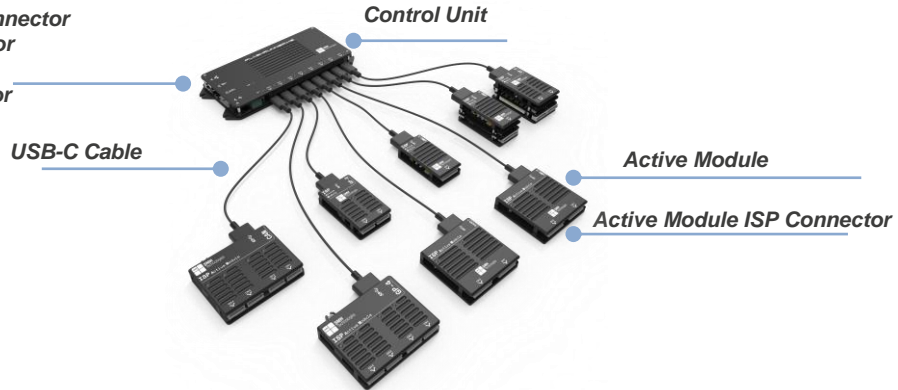
Diagrams/Graphics



Target Markets and Applications

- Automotive
- In-System Programming
- White Goods
- Smart Sensors
- Industry 4.0

Standalone Control Connector
Power Supply Connector
USB Host Interface
Relay Control Connector
Ethernet Host Interface



High Speed: up to 80 MHz of communication frequency



Universal: BDM, JTAG, SWD, UART, FINE, CSI, I2C, SPI, ICSP, eMMC ...



Parallel: different devices, communication protocols and source files in parallel.
Dedicated Active Module for NAND, eMMC, OCTO-SPI memories ...



Industrial: meant for Industrial production with high volumes. Active Modules available with Relay Barrier for integration.



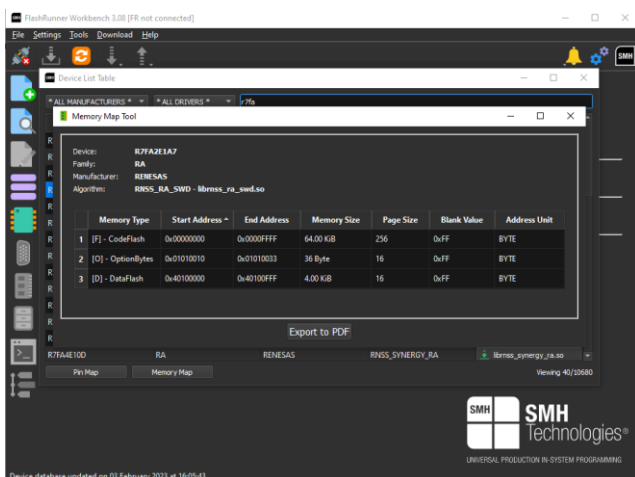
12000 12000 devices supported: always increasing



Compact: Control Unit 170x83x19 mm 8 channels, eMMC Active Module 67x32x15 mm
General Purpose Active Module 66x80x16 mm 4 channels, USB-C up to 3 m



GUI Graphical User Interface to control FlashRunner High Speed Technology



CONTROL & PRODUCTION

- Programming times
- Connections
- Memory Maps



COMMAND

- Project Wizard and Execution
- File Transfer Manager
- System Update



SECURITY

- Firmware Encryption
- User Management
- Dump and Read

[Contact SMH distributors](#)