

## RZ Ecosystem Partner Solution

# Vekatech VK-RZ/A1R3



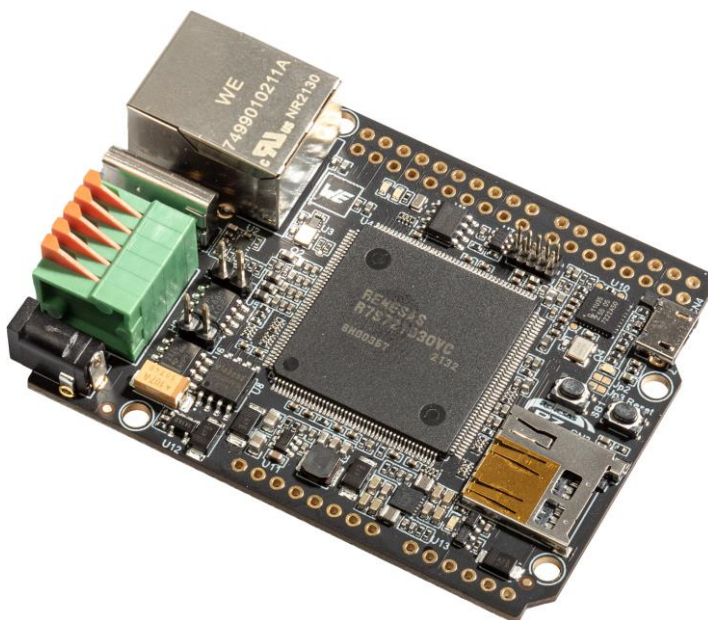
### Solution Summary

**VK-RZ/A1R3** is built for industrial use and is compatible with Arduino® UNO R3 shields. Renesas [RZ/A1LU](#) enables very compact embedded designs with 3MB of on-chip SRAM. Convenient mbed enabled board for rapid device prototype development. Excellent solution for all kind of industrial, professional or hobby projects.

### Features/Benefits

- ArmCortex®-A9 @ 384MHz
- RAM: 3MB, FLASH: 16MB QSPI
- 1x 24pin FPC Camera (VGA), 1x RJ45, 1x SDHI
- 1x USB 2.0 Type C, 1x CAN + 1x RS485 (Screwless), 2x LEDs, 1x BTN
- 1x µUSB 2.0 Type B: ARM DAPLink (Flash, Debug & TTY)

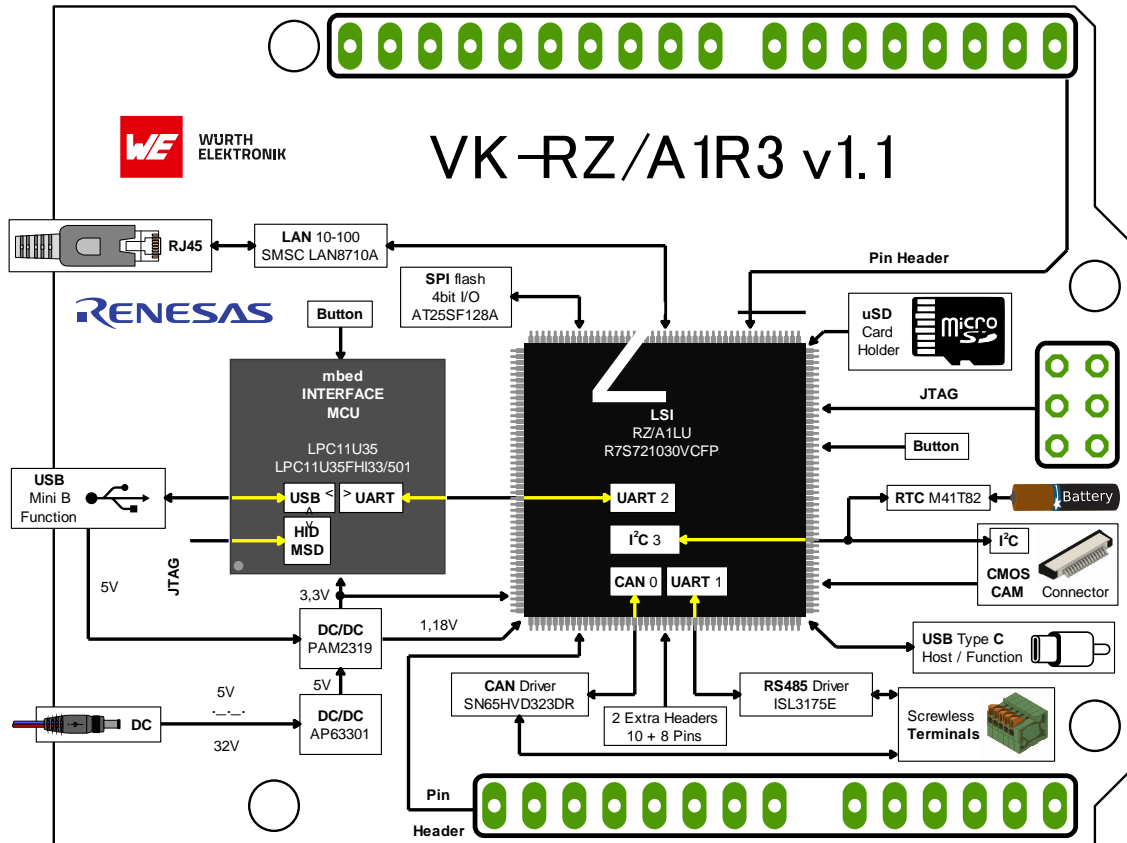
### Diagrams/Graphics



### Target Markets and Applications

- mbed Applications
- Home Automation
- Industrial Automation
- Robotics
- IoT Applications
- Surveillance Solution

## Block Diagram



Learn more:

<https://vekatech.com/products/VK-RZA1R3>

Contacts:

Vekatech Ltd.

63, Nestor Abadzhiev str.

4023 Plovdiv

Bulgaria

Tel. +359 (0) 32 262362

Fax. +359 (0) 32 262362

E-Mail: [info@vekatech.com](mailto:info@vekatech.com)

Website: <https://www.vekatech.com>