



# RA Ecosystem Partner Solution

## WT 7" (800 x 480) TFT-LCD HMI Solution



### Solution Summary

WT 7" (800 x 480) TFT-LCD HMI Solution supports large 7" TFT-LCD Cap-touch panel with up to 800\*480 resolution with [RA MCUs](#). With powerful SEGGER emWin graphics, users enable the creation of highly efficient, high-quality, interactive graphical user interfaces. This HMI solution provide an excellent demonstration for embedded GUI application. Learn more: <https://www.wtmec.com/>

### Features/Benefits

- External 32MB QSPI flash as well as 128Mbit SDRAM inside
- 7-inch capacitive touch TFT-LCD panel with 800 x 480 resolution
- LCD expansion connector
- Built-in TFT-LCD driver, lighting sensor (ISL29035), 2D graphics engine and JPEG decoder
- Professional GUI library, available at no charge for Renesas RA

### HW Diagrams

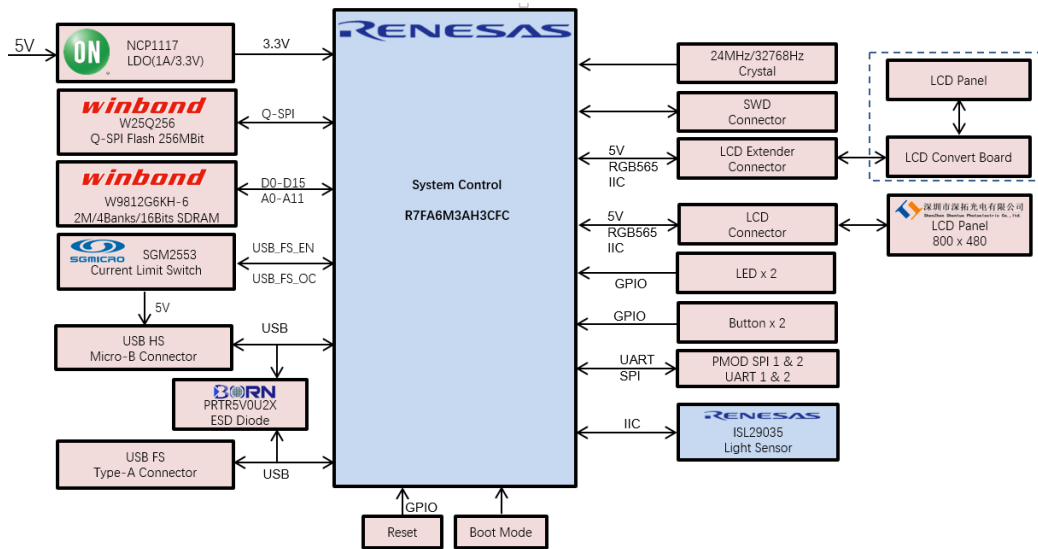


Figure: HW Block Diagram

### Target Markets and Applications

- Industrial control panel
- Smart home
- Home appliance panel
- Consumer electronics display panel
- Medical devices
- IoT control panel

Corporate: WT Microelectronics Co., Ltd.

Address: 12F, GDC Building, No. 9 Gaoxin Central Avenue 3rd, Science & Industry Park, Nanshan District, Shenzhen, 518057, China

<https://www.wtmec.com>