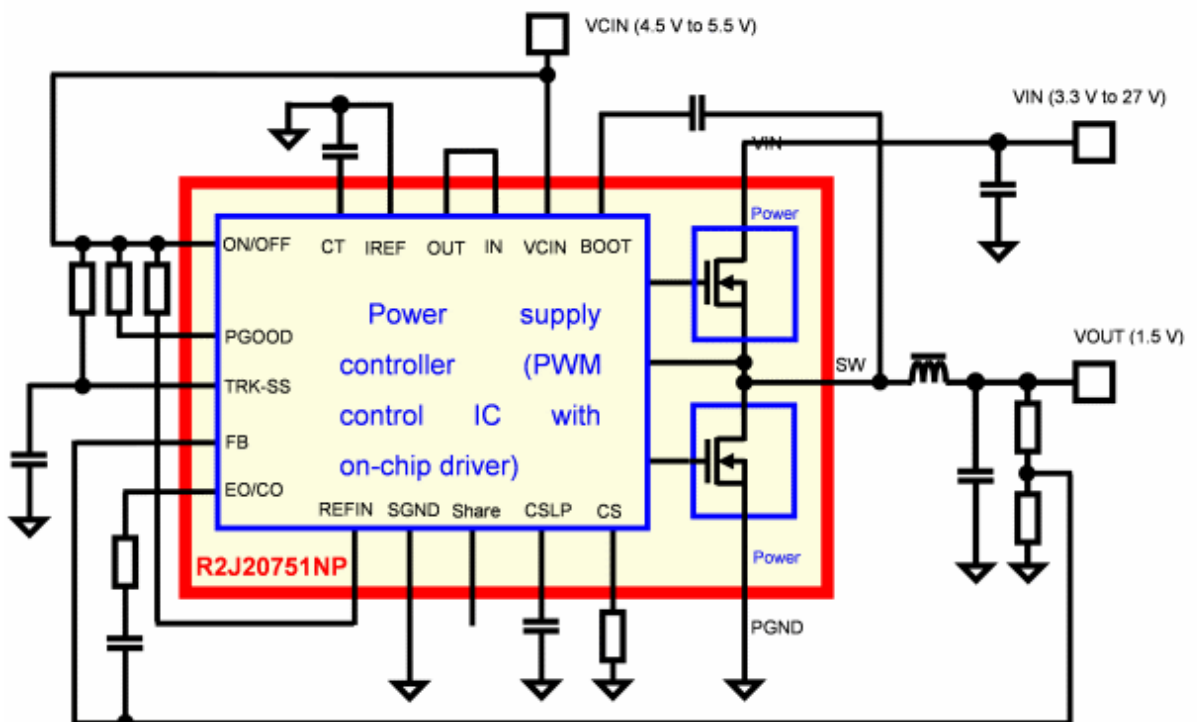


January 26, 2011

Product Specifications of the R2J20751NP Device

Item	Specifications
Product Name	R2J20751NP
Input Voltage	3.3 V to 27 V
Output Voltage	1.0 V to 5.0 V
Average Output Current	25 A max
Switching Frequency	Up to 1 MHz
Peak Efficiency	94.5% @ Vin = 5 V, Vout = 1.5 V, fsw = 300 kHz
Composition	High-side MOSFET, low-side MOSFET, PWM control IC
Package	40-pin QFN package (6 mm × 6 mm × 0.5 mm pin pitch)

Supplementary Figure 1: Configuration of power supply system



Supplementary Figure 2: Efficiency

