

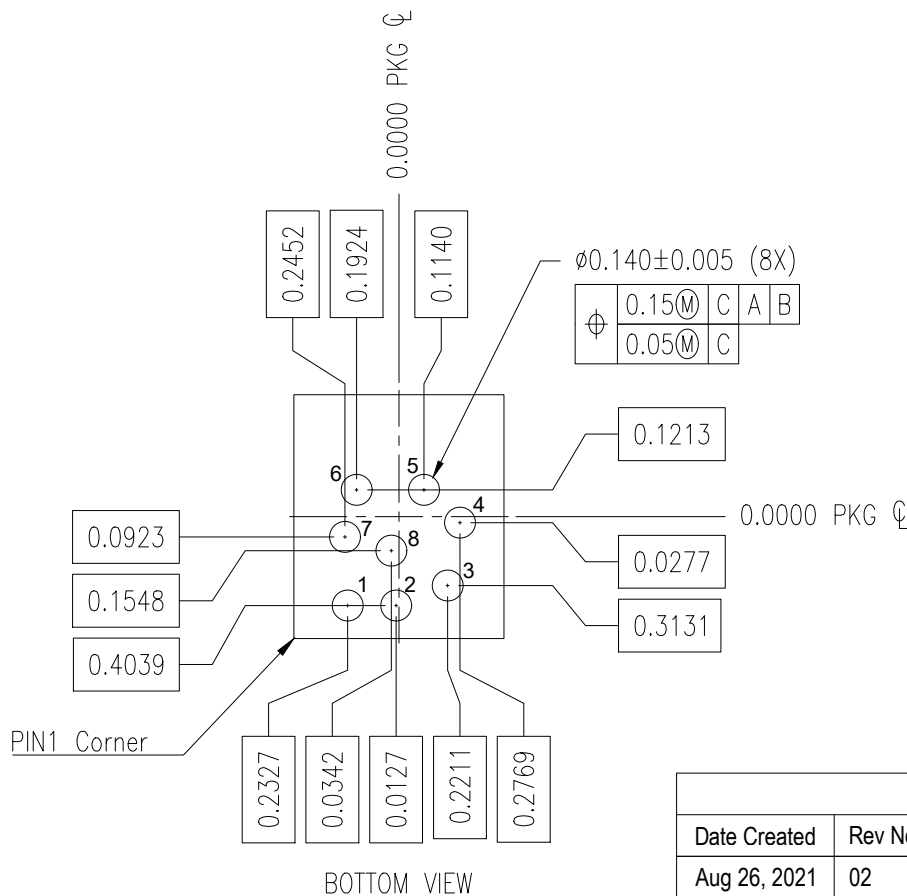
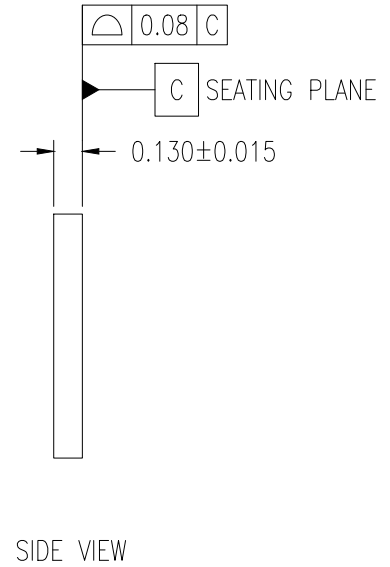
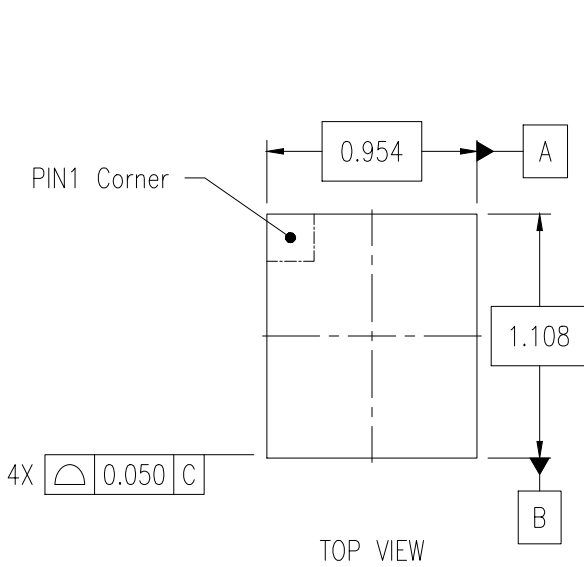
NOTES:

1. ALL DIMENSIONING AND TOLERANCES ARE PER ASME Y14.5-1994

2. ALL DIMENSIONS ARE IN MILLIMETERS

SEATING PLANE AND PRIMARY DATUM -C- ARE DEFINED BY THE CONTACT POINTS OF THREE OR MORE SOLDER BALLS THAT SUPPORT THE DEVICE WHEN PLACED ON A TOP OF A PLANAR SURFACE

BOTTOM PIN#1 INDICATOR OPTIONAL



Package Revision History

Date Created	Rev No.	Description
Aug 26, 2021	02	Deleted AutoCad comments