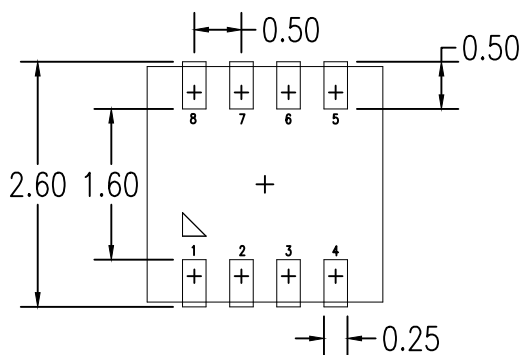


PRELIMINARY ONLY – NOT FOR PRODUCTION USE



RECOMMENDED LAND PATTERN DIMENSION

NOTES:

1. ALL DIMENSION ARE IN MM. ANGLES IN DEGREES.
2. LAND PATTERN RECOMMENDATION PER IPC-7351B  
 GENERIC REQUIREMENT FOR SURFACE MOUNT DESIGN  
 AND LAND PATTERN.

Package Revision History		
Date Created	Rev No.	Description
April 22, 2020	00	Initial Release