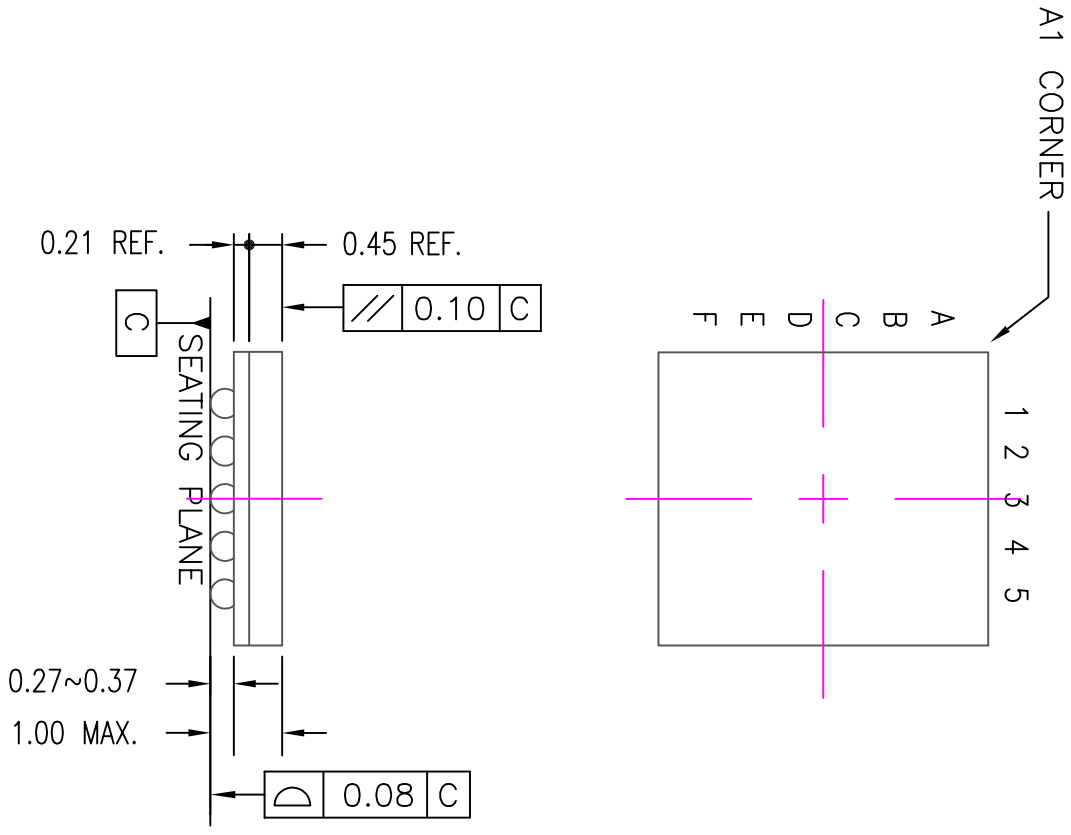
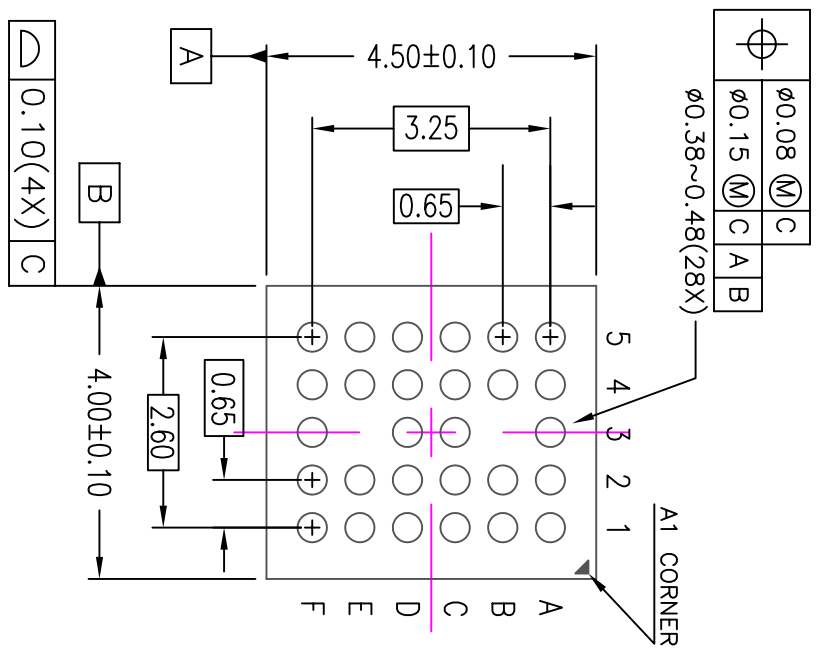


REVISIONS			
REV	DESCRIPTION	DATE	APPROVED
00	INITIAL RELEASE	1/15/13	RC
01	COMBINE POD & LAND PATTERN	5/15/13	RC

TOP VIEW



BOTTOM VIEW



Ball Pitch :	0.65	Substrate Thickness :	0.21
Ball Diameter :	0.40	Mold Thickness :	0.45

TOLERANCES UNLESS SPECIFIED  
 DECIMAL ±  
 ANGULAR ±

XXXX±  
 XXX±  
 XXX±

APPROVALS DATE  
 DRAWN 28/2/01/15/13  
 CHECKED

TITLE AD/ADG28 PACKAGE OUTLINE  
 DRAWN 4.0 x 4.5 mm BODY  
 0.65 mm PITCH CABGA

SIZE DRAWING No. PSC-4156  
 C

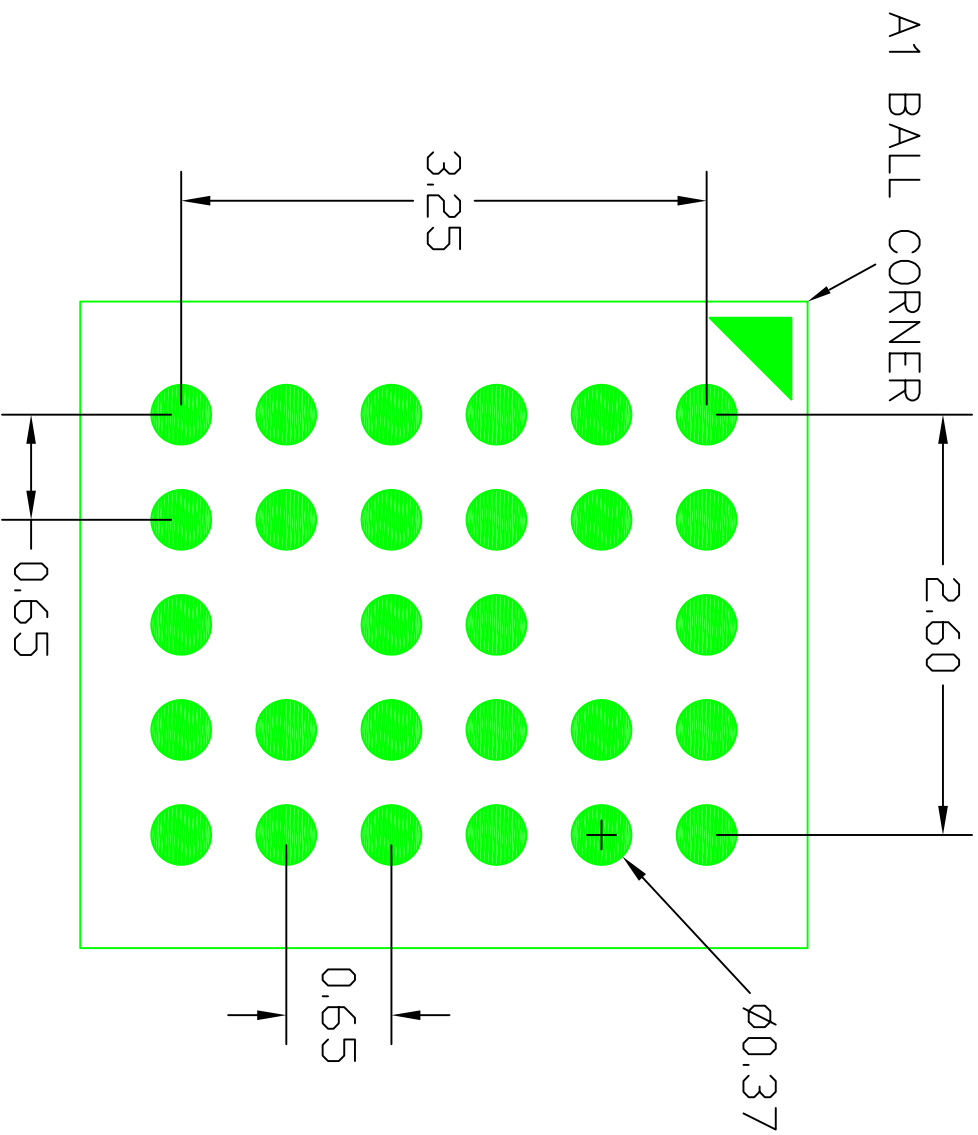
DO NOT SCALE DRAWING

SHEET 1 OF 2


6024 Silver Creek Valley Road  
 San Jose, CA 95138  
 PHONE: (408) 284-8200  
 FAX: (408) 284-8591  
 WWW.IDTI.COM

REV 01

REVISIONS			
REV	DESCRIPTION	DATE	APPROVED
00	INITIAL RELEASE	2/1/13	RC
01	COMBINE POD & LAND PATTERN	5/15/13	RC



## RECOMMENDED LAND PATTERN

TOLERANCES UNLESS SPECIFIED		6024 Silver Creek Valley Road	
DECIMAL	ANGULAR	San Jose, CA 95138	
XX±	±	PHONE: (408) 294-8200	
XXXX±		FAX: (408) 294-8591	
www.IDT.com			
APPROVALS	DATE		
DRAWN R41@2/1/13		TITLE AD/ADG28 PACKAGE OUTLINE	
CHECKED		4.0 x 4.5 mm BODY	
		0.65 mm PITCH CABGA	
SIZE C	DRAWING No. PSC-4156	REV	01
DO NOT SCALE DRAWING			
			SHEET 2 OF 2