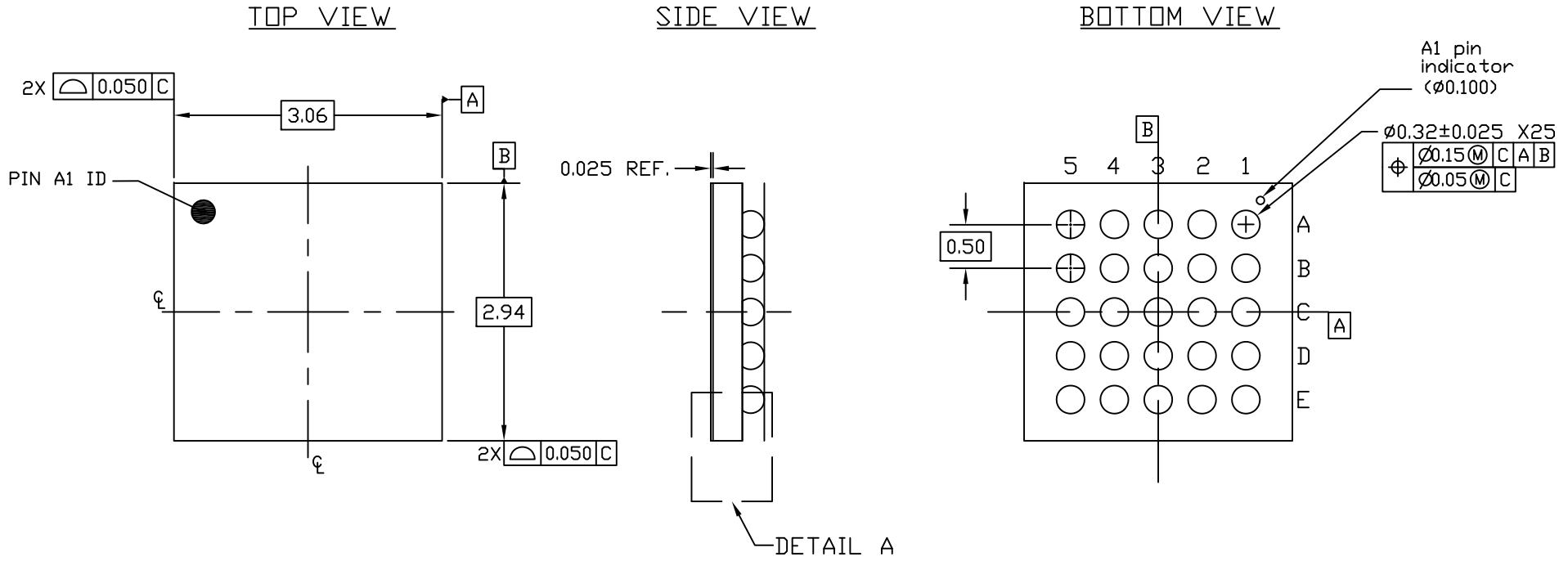


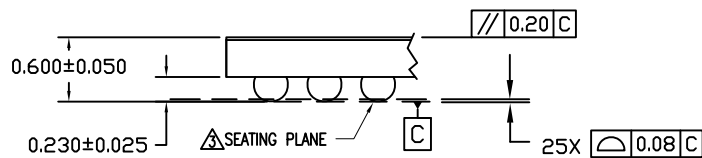
NOTES:


1. ALL DIMENSIONS AND TOLERANCES ARE PER ASME Y14.5M-1994.
 2. ALL DIMENSIONS ARE IN MILLIMETERS.
- △ SEATING PLANE AND PRIMARY DATUM -C- ARE DEFINED BY THE CONTACT POINTS OF THREE OR MORE SOLDER BALLS THAT SUPPORT THE DEVICE WHEN PLACED ON A TOP OF A PLANAR SURFACE.

REVISIONS			
REV	DESCRIPTION	DATE	APPROVED
00	INITIAL RELEASE	8/22/16	JH
01	UPDATE DIE THICKNESS & BUMP HEIGHT	9/15/16	JH

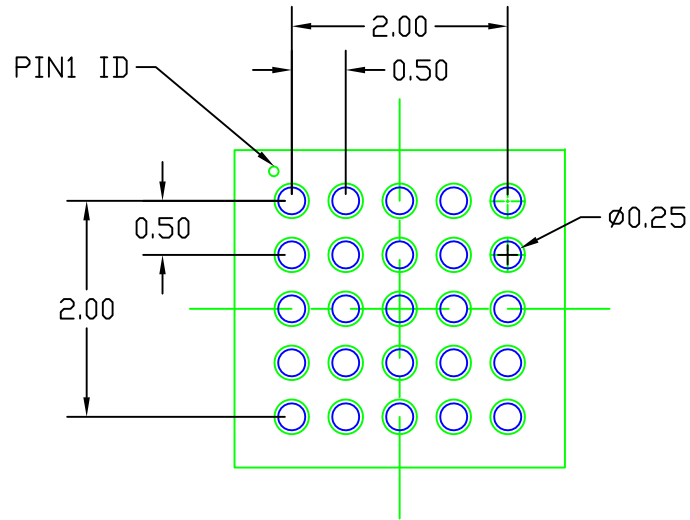


DETAIL A
(ROTATED 90 DEG CW)



TOLERANCES UNLESS SPECIFIED		 6024 SILVER CREEK VALLEY ROAD, SAN JOSE, CA 95138 PHONE: (408) 284-8200 FAX: (408) 284-3572 www.IDT.com	
DECIMAL	ANGULAR		
XX± 0.05 ±			
XXX± 0.012			
APPROVALS	DATE	TITLE	
DRAWN <i>jsf</i>	8/18/16	AHG25 PACKAGE OUTLINE	
CHECKED		3.06 x 2.94 mm BODY	
		0.50 mm PITCH DSBGA	
	SIZE	DRAWING No.	REV
	C	PSC-4667	01
DO NOT SCALE DRAWING			SHEET 1 OF 2


REVISIONS			
REV	DESCRIPTION	DATE	APPROVED
00	INITIAL RELEASE	8/22/16	JH
01	UPDATE DIE THICKNESS & BUMP HEIGHT	9/15/16	JH



RECOMMENDED LAND PATTERN DIMENSION

NOTES:

1. ALL DIMENSIONS ARE IN MM. ANGLES IN DEGREES.
2. TOP DOWN VIEW AS VIEWED ON PCB.
3. COMPONENT OUTLINE IS SHOWN FOR REFERENCE IN GREEN.
4. LAND PATTERN IN BLUE. NSMD PATTERN ASSUMED.
5. LAND PATTERN RECOMMENDATION PER IPC-7351B GENERIC REQUIREMENT FOR SURFACE MOUNT DESIGN AND LAND PATTERN.

TOLERANCES UNLESS SPECIFIED DECIMAL ANGULAR XX± 0.05 ± XXX± 0.012 XXXX±		 8024 SILVER CREEK VALLEY ROAD, SAN JOSE, CA 95138 PHONE: (408) 284-8200 FAX: (408) 284-3572 www.IDT.com	
APPROVALS	DATE	TITLE	
DRAWN <i>gjt</i>	8/18/16	AHC25 PACKAGE OUTLINE	
CHECKED		3.06 x 2.94 mm BODY	
		0.50 mm PITCH DSBGA	
		SIZE	REV
		C	01
		DRAWING No. PSC-4667	
		DO NOT SCALE DRAWING	
		SHEET 2 OF 2	