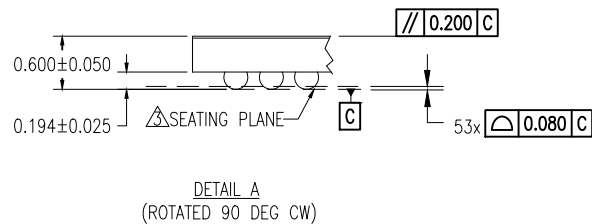
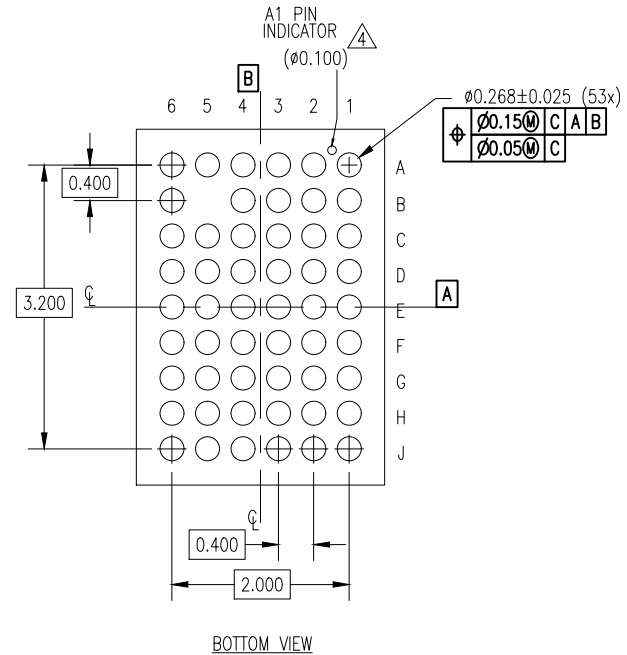
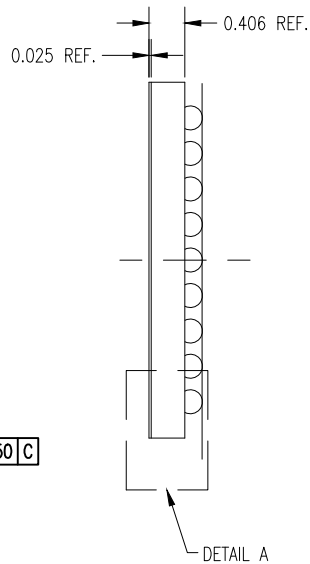
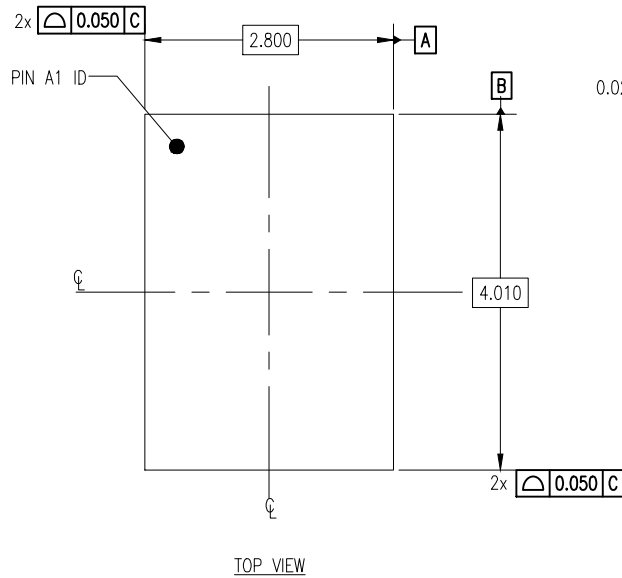


DATE CREATED	REVISIONS		AUTHOR
	REV	DESCRIPTION	
06/08/16	00	INITIAL RELEASE.	CM
01/06/17	01	CHANGED PKG. Y-AXIS DIMENSION TO 4010UM	CM
01/02/18	02	ADDED TOLERANCES	CM

NOTE: REFER TO DCP FOR OFFICIAL RELEASE DATE



NOTES:

1. ALL DIMENSIONS AND TOLERANCES ARE PER ASME Y14.5M-1994.
 2. ALL DIMENSIONS ARE IN MILLIMETERS.
- Δ SEATING PLANE AND PRIMARY DATUM -C- ARE DEFINED BY THE CONTACT POINTS OF THREE OR MORE SOLDER BALLS THAT SUPPORT THE DEVICE WHEN PLACED ON A TOP OF A PLANAR SURFACE.
- Δ BOTTOM PIN#1 INDICATOR OPTIONAL.

TOLERANCES
UNLESS SPECIFIED
DECIMAL ANGULAR
XX± 0.05
XXX± 0.012
XXXX±



6024 Silver Creek Valley Road
San Jose, CA 95138
PHONE: (408) 284-8200
FAX: (408) 284-8591

TITLE AHG53 Package Outline Drawing
2.80 x 4.010mm Body
0.4mm Pitch DSBGA

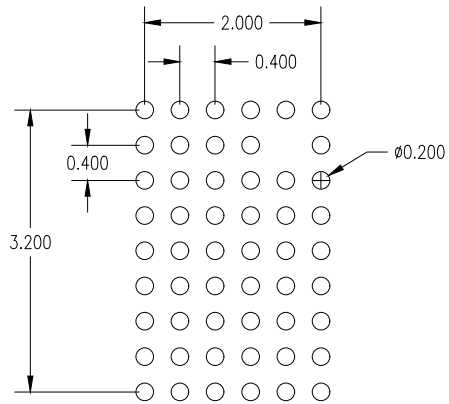
SIZE	DRAWING No.	REV
C	PSC-4662	02

DO NOT SCALE DRAWING

SHEET 1 OF 2

DATE CREATED	REVISIONS		
	REV	DESCRIPTION	AUTHOR
06/08/16	00	INITIAL RELEASE.	CM
01/06/17	01	CHANGED PKG. Y-AXIS DIMENSION TO 4010UM	CM
01/02/18	02	ADDED TOLERANCES	CM


NOTE: REFER TO DCP FOR OFFICIAL RELEASE DATE



RECOMMENDED LAND PATTERN DIMENSION

NOTE:

1. ALL DIMENSIONS ARE IN MM, ANGLES IN DEGREES.
2. TOP DOWN VIEW, AS VIEW ON PCB.
3. NSMD LAND PATTERN ASSUMED.
4. LAND PATTERN RECOMMENDATION AS PER IPC-7351
GENERIC REQUIREMENT FOR SURFACE MOUNT DESIGN AND LAND PATTERN.

TOLERANCES UNLESS SPECIFIED		 6024 Silver Creek Valley Road San Jose, CA 95138 PHONE: (408) 284-8200 FAX: (408) 284-8591 www.IDT.com
DECIMAL	ANGULAR	
X±		
XX±		
		TITLE AHG53 Package Outline Drawing 2.80 x 4.010mm Body 0.4mm Pitch DSBGA
SIZE	DRAWING No.	REV
C	PSC-4662	02
DO NOT SCALE DRAWING		SHEET 2 OF 2