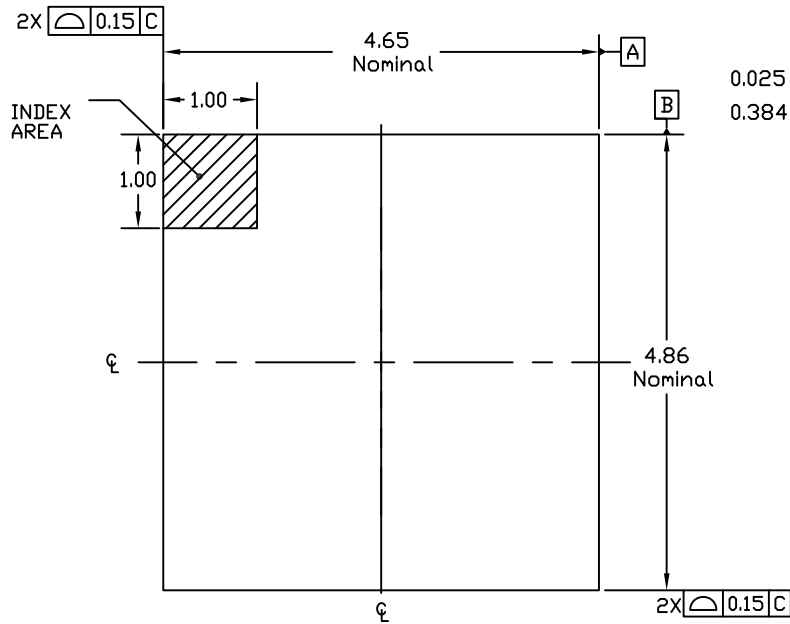


NOTES:

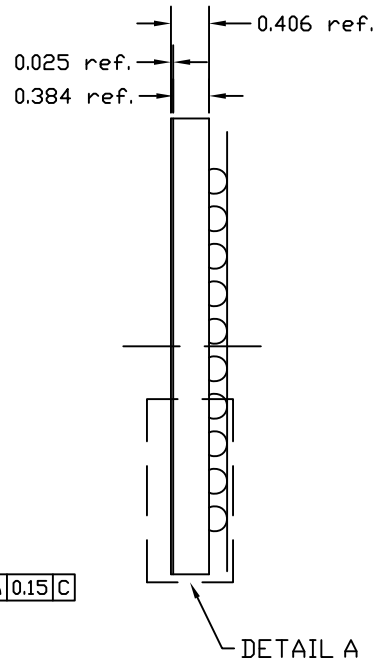
1. ALL DIMENSIONS AND TOLERANCES ARE PER ASME Y14.5M-1994.
2. ALL DIMENSIONS ARE IN MILLIMETERS.
3. SEATING PLANE AND PRIMARY DATUM -C- ARE DEFINED BY THE CONTACT POINTS OF THREE OR MORE SOLDER BALLS THAT SUPPORT THE DEVICE WHEN PLACED ON A TOP OF A PLANAR SURFACE.
4. BOTTOM PIN#1 INDICATOR OPTIONAL.

DATE	REVISIONS		DESCRIPTION	AUTHOR
CREATED	REV	INITIAL RELEASE		
03/21/12	00	COMBINE POD & LAND PATTERN		MR
7/18/13	01	ADD DIE BACKGRIND THICKNESS		KS
02/03/14	02	ADD NOTE RECOMMENDED LAND PATTERN		JH
02/21/14	03	ADD NOTE RECOMMENDED LAND PATTERN		JH
12/8/16	04	CHANGE BACKSIDE TAPE 0.022 to 0.025		JH

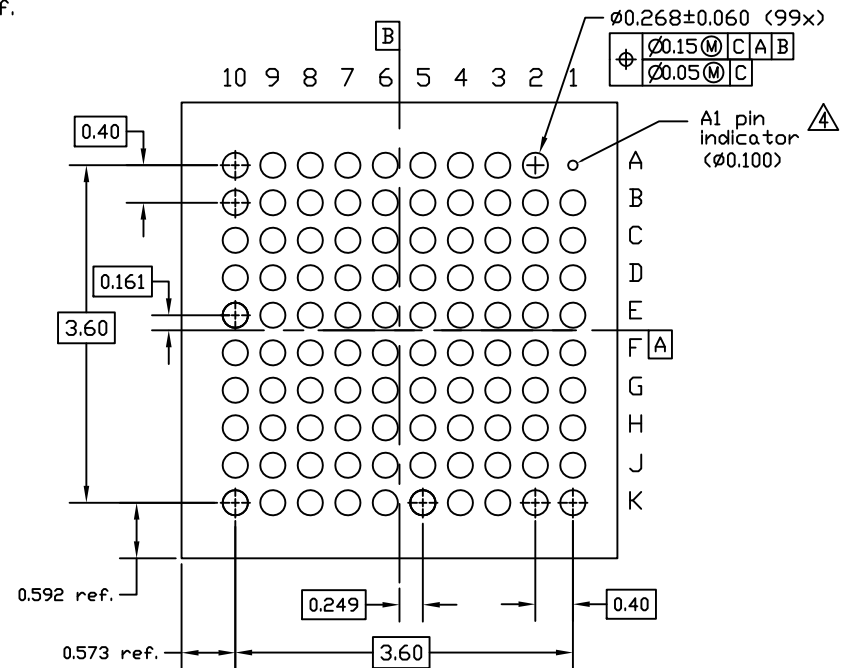
NOTE: REFER TO DCP FOR OFFICIAL RELEASE DATE



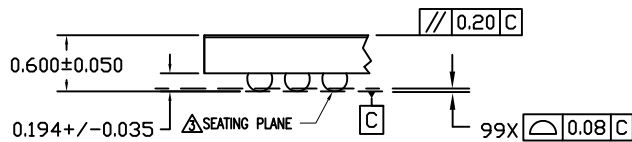
TOP VIEW



DETAIL A



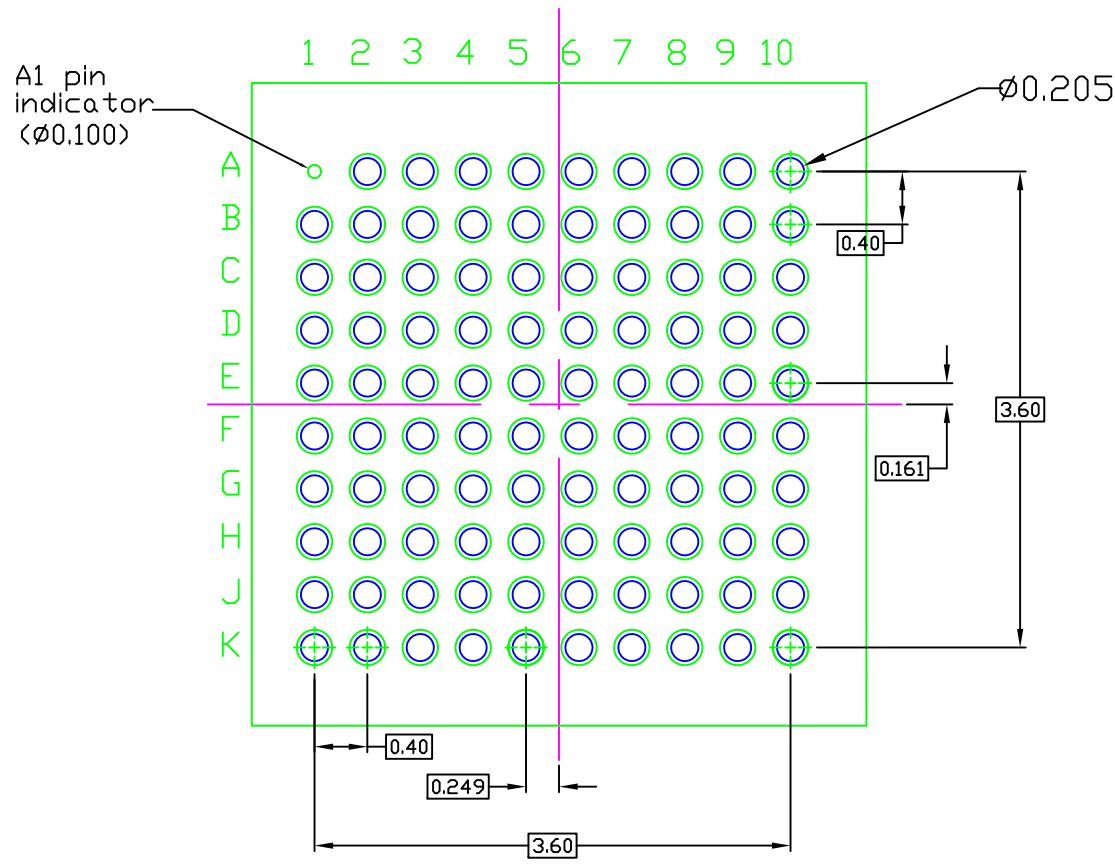
BOTTOM VIEW



DETAIL A
(ROTATED 90 DEG CW)

TOLERANCES UNLESS SPECIFIED DECIMAL ANGULAR XX± 0.05 ± XXX± 0.012 XXXX±	6024 SILVER CREEK VALLEY ROAD, SAN JOSE, CA 95138 PHONE: (408) 284-8200 FAX: (408) 284-3572 www.IDT.com	TITLE	
		AHG99 PACKAGE OUTLINE 4.861 x 4.647mm BODY 0.4mm PITCH DSBGA	
SIZE	DRAWING No.	REV	
C	PSC-4396	04	
DO NOT SCALE DRAWING			SHEET 1 OF 2


DATE	REVISIONS		DESCRIPTION	AUTHOR
CREATED	REV		INITIAL RELEASE	
03/21/12	00		COMBINE POD & LAND PATTERN	MR
7/18/13	01		ADD DIE BACKGRIND THICKNESS	KS
02/03/14	02		ADD NOTE RECOMMENDED LAND PATTERN	JH
02/21/14	03		ADD NOTE RECOMMENDED LAND PATTERN	JH
12/8/16	04		CHANGE BACKSIDE TAPE 0.022 to 0.025	JH
NOTE: REFER TO DCP FOR OFFICIAL RELEASE DATE				



RECOMMENDED LAND PATTERN DIMENSION

NOTES:

1. ALL DIMENSION ARE IN mm. ANGLES IN DEGREES.
2. TOP DOWN VIEW. AS VIEWED ON PCB.
3. COMPONENT OUTLINE SHOW FOR REFERENCE IN GREEN.
4. LAND PATTERN IN BLUE. NSMD PATTERN ASSUMED.
5. LAND PATTERN RECOMMENDATION PER IDT WLCSP APPLICATION NOTE.

TOLERANCES UNLESS SPECIFIED DECIMAL ANGULAR X± ±1° XX± XXX±	 6024 Silver Creek Valley Road San Jose CA 95138 PHONE: (408) 284-8200 FAX: (408) 284-8591 www.IDT.com	
SIZE	DRAWING No.	REV
C	PSC-4396	04
DO NOT SCALE DRAWING		SHEET 2 OF 2