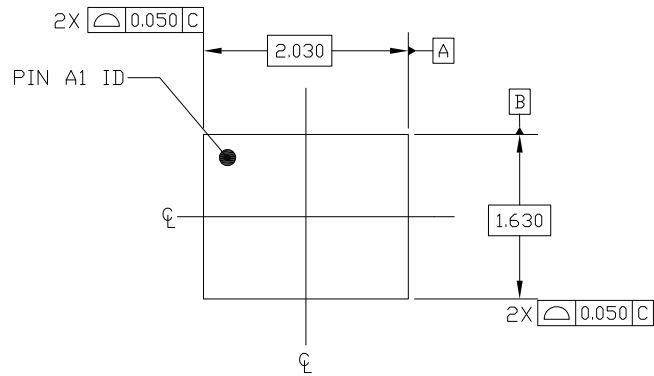


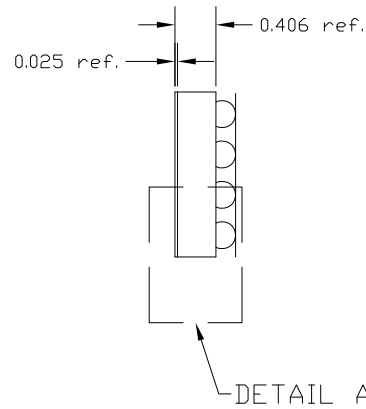
NOTES:

1. ALL DIMENSIONS AND TOLERANCES ARE PER ASME Y14.5M-1994.
  2. ALL DIMENSIONS ARE IN MILLIMETERS.
- ⚠ SEATING PLANE AND PRIMARY DATUM -C- ARE DEFINED BY THE CONTACT POINTS OF THREE OR MORE SOLDER BALLS THAT SUPPORT THE DEVICE WHEN PLACED ON A TOP OF A PLANAR SURFACE.
- ⚠ BOTTOM PIN#1 INDICATOR OPTIONAL.

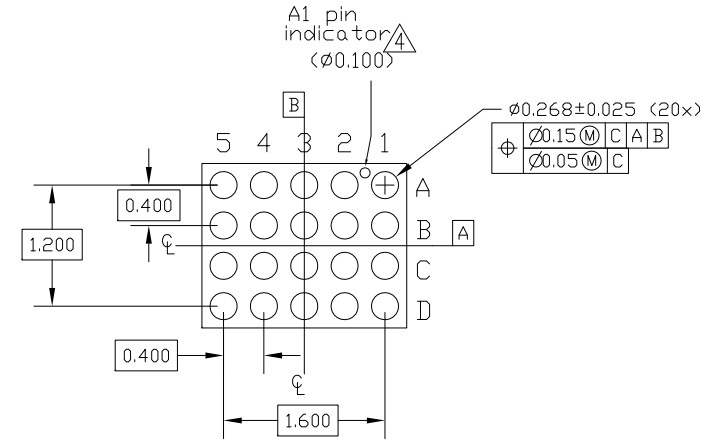
DATE		REVISIONS	
CREATED	REV	DESCRIPTION	AUTHOR
2/3/17	00	INITIAL RELEASE	JH
NOTE: REFER TO DCP FOR OFFICIAL RELEASE DATE			



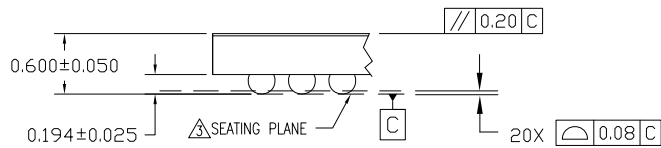
TOP VIEW




SIDE VIEW



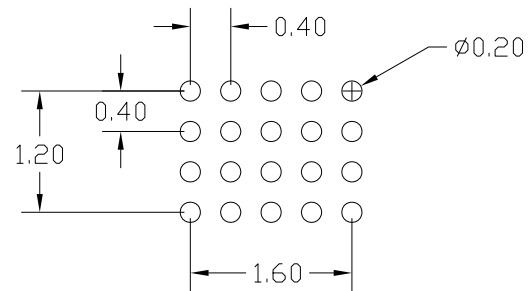
BOTTOM VIEW



DETAIL A  
(ROTATED 90 DEG CW)

TOLERANCES UNLESS SPECIFIED DECIMAL: ANGULAR XX± 0.05 ± XXX± 0.012 XXXX±		 www.IDT.com 6024 SILVER CREEK VALLEY ROAD, SAN JOSE, CA 95138 PHONE: (408) 284-8200 FAX: (408) 284-3572
TITLE AWC20 PACKAGE OUTLINE BODY SIZE 2.030x1.630mm 0.4mm PITCH WLCSPP		
SIZE C	DRAWING No. PSC-4686	REV 00
DO NOT SCALE DRAWING		SHEET 1 OF 2


DATE		REVISIONS	
CREATED	REV	DESCRIPTION	AUTHOR
2/3/17	00	INITIAL RELEASE	JH
NOTE: REFER TO DCP FOR OFFICIAL RELEASE DATE			



### RECOMMENDED LAND PATTERN DIMENSION

#### NOTES:

1. ALL DIMENSIONS ARE IN MM, ANGLES IN DEGREES.
2. TOP DOWN VIEW, AS VIEW ON PCB.
3. NSMD LAND PATTERN ASSUMED.
4. LAND PATTERN RECOMMENDATION AS PER IPC-7351  
GENERIC REQUIREMENT FOR SURFACE MOUNT DESIGN AND LAND PATTERN.

TOLERANCES UNLESS SPECIFIED		 <b>www.IDT.com</b>	6024 SILVER CREEK VALLEY ROAD, SAN JOSE, CA 95138 PHONE: (408) 284-8200 FAX: (408) 284-3572	
DECIMAL	ANGULAR			
XX± 0.05 ±				
XXX± 0.012				
XXXX±				
TITLE		AWC20 PACKAGE OUTLINE BODY SIZE 2.030x1.630mm 0.4mm PITCH WLCSP		
SIZE	DRAWING No.	REV		
C	PSC-4686	00		
DO NOT SCALE DRAWING			SHEET 2 OF 2	