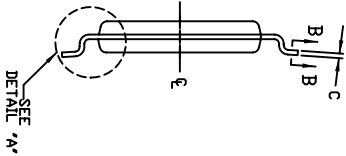
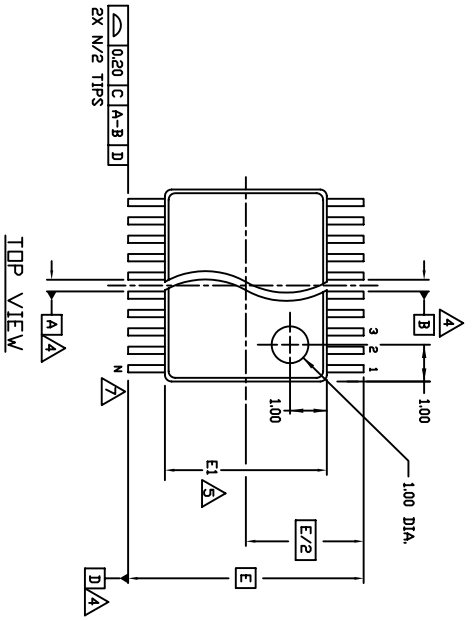
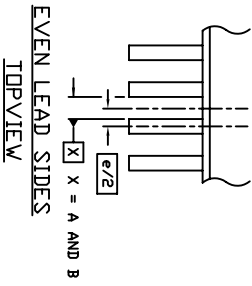


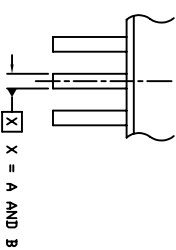
REVISIONS			
REV	DESCRIPTION	DATE	APPROVED BY
00	INITIAL RELEASE	8/26/09	P.PAIK
01	COMBINE POD & LAND PATTERN	7/23/13	KS



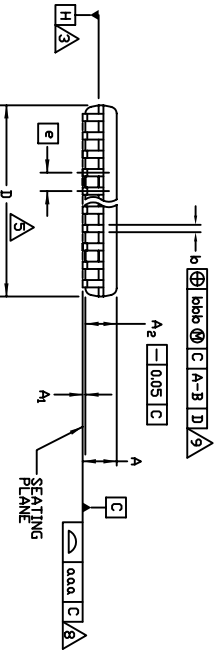
END VIEW



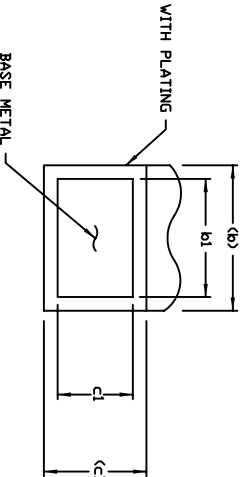
EVEN LEAD SIDES  
TOP VIEW



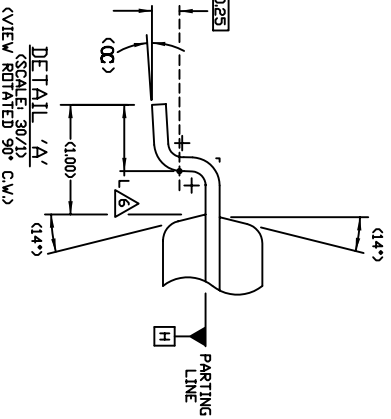
ODD LEAD SIDES  
TOP VIEW



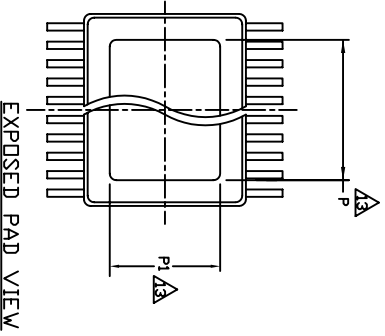
SIDE VIEW



SECTION "B-B"  
SCALE: 120/1  
(SEE NOTE 10)



DETAIL "A-A"  
SCALE: 30/1  
(VIEW ROTATED 90° C.W.)



EXPOSED PAD VIEW

<b>JIDT</b> 6024 Silver Creek Valley Road San Jose, CA 95138 Phone: (408) 284-8000 Fax: (408) 284-8591 <a href="http://www.jidt.com">www.jidt.com</a>		<b>TOLERANCES</b> UNLESS SPECIFIED DECIMAL ±.1 ANGULAR ±1° XXX± .05 XXXX± .030	
<b>APPROVALS</b> DRAWN RAC 08/26/09 CHECKED	<b>DATE</b> 08/26/09	<b>TITLE:</b> EJ/EG PACKAGE OUTLINE 4.40 mm BODY 0.65 mm PITCH (ePAD) TSSOP	<b>SIZE</b> C <b>DRAWING No.</b> PSC-4284
DO NOT SCALE DRAWING		SHEET 1 OF 3	

REVISIONS			
REV	DESCRIPTION	DATE	APPROVED BY
00	INITIAL RELEASE	8/26/09	P.PAIK
01	COMBINE POD & LAND PATTERN	7/23/13	KS

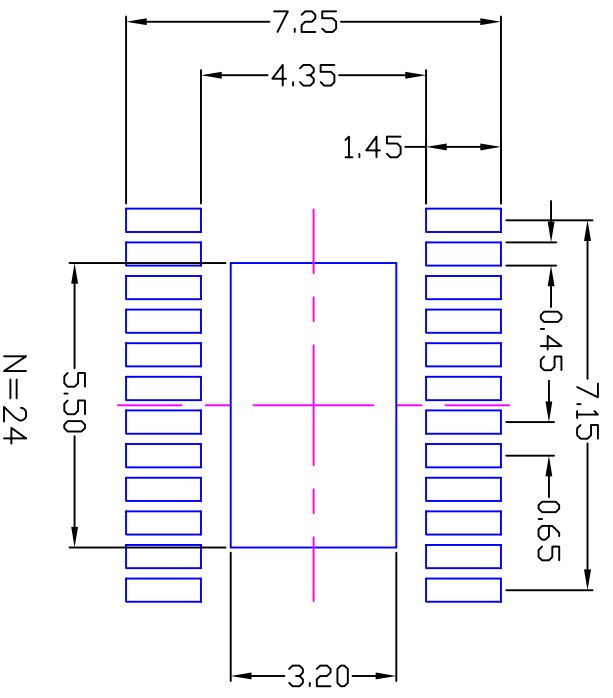
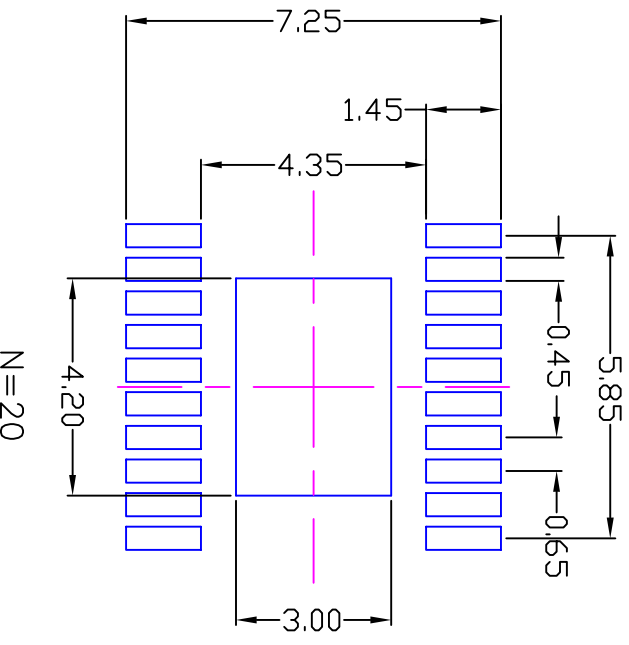
THIS TABLE FOR 0.65mm PITCH

S <sup>y</sup> M <sup>B</sup> D <sup>L</sup>	COMMON DIMENSIONS			NOTE	D			P	P1	N
	MIN.	NOM.	MAX.		MIN.	NOM.	MAX.			
A	—	—	1.10		6.40	6.50	6.60	4.2	3.0	20
A <sub>1</sub>	0.05	—	0.15		7.70	7.80	7.90	5.5	3.2	24
A <sub>2</sub>	0.85	0.90	0.95							
0.0.0		0.076								
b	0.19	—	0.30							
b <sub>1</sub>	0.19	0.22	0.25							
b <sub>b</sub> b		0.10								
c	0.09	—	0.20							
c <sub>1</sub>	0.09	0.127	0.16							
D	SEE VARIATIONS									
E <sub>1</sub>	4.30	4.40	4.50							
e	0.65 BSC									
E	6.40 BSC									
L	0.50	0.60	0.70							
N	SEE VARIATIONS									
P	SEE VARIATIONS									
P <sub>1</sub>	SEE VARIATIONS									
α	0°	—	8°							

ALL DIMENSIONS IN MILLIMETERS

TOLERANCES UNLESS SPECIFIED		6024 Silver Creek Valley Road San Jose, CA 95138	
DECIMAL	ANGULAR	PHONE: (408) 284-800	
X.05	E1	FAX: (408) 284-8591	
XXX.030			
APPROVALS		TITLE: EJ/EJG PACKAGE OUTLINE	
DATE		4.40 mm BODY	
08/26/09		0.65 mm PITCH (ePAD) TSSOP	
DRAWN	RAC	SIZE	DRAWING No.
CHECKED		C	PSC-4284
		DO NOT SCALE DRAWING	REV 01
			SHEET 2 OF 3

REVISIONS			
REV	DESCRIPTION	DATE	APPROVED BY
00	INITIAL RELEASE	8/26/09	P.PAIK
01	COMBINE POD & LAND PATTERN	7/23/13	KS



- NOTES:
1. ALL DIMENSION ARE IN mm. ANGLES IN DEGREES.
  2. TOP DOWN VIEW. AS VIEWED ON PCB.
  3. LAND PATTERN IN BLUE. NSMD PATTERN ASSUMED.
  4. LAND PATTERN RECOMMENDATION PER IPC-7351B. GENERIC REQUIREMENT FOR SURFACE MOUNT DESIGN AND LAND PATTERN.

TOLERANCES UNLESS SPECIFIED		ANGULAR ±1°	
DECIMAL	±0.1	ANGULAR	±1°
XX±	.05	XXX±	.030
APPROVALS	DATE	TITLE: EJ/EJG PACKAGE OUTLINE	
DRAWN RAC	08/26/09	SIZE	4.40 mm BODY
CHECKED		DRAWING No.	0.65 mm PITCH (ePAD) TSSOP
		PSC-4284	REV 01
DO NOT SCALE DRAWING		SHEET 3 OF 3	

**IDT**  
 6024 Silver Creek Valley Road  
 San Jose, CA 95138  
 Phone: (408) 284-8000  
 Fax: (408) 284-8591  
 WWW.IDT.COM