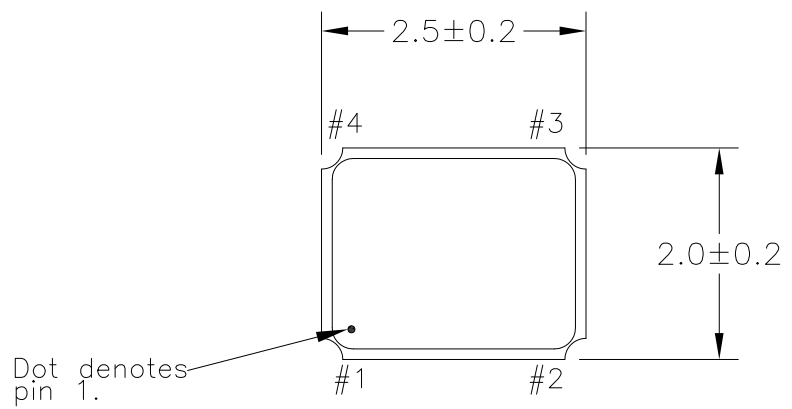
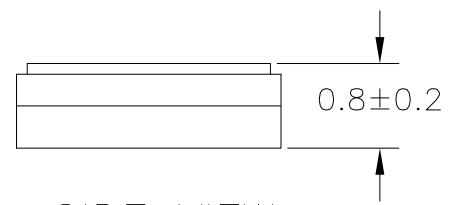


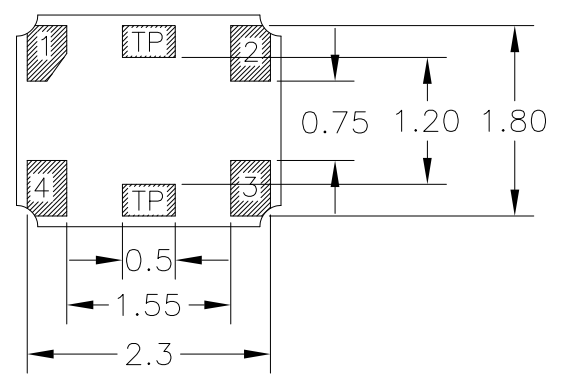
REVISIONS			
REV	DESCRIPTION	DATE	APPROVED
00	INITIAL RELEASE	1/20/16	J.HUA
01	CORRECT TITLE	4/12/16	J.HUA



TOP VIEW




SIDE VIEW

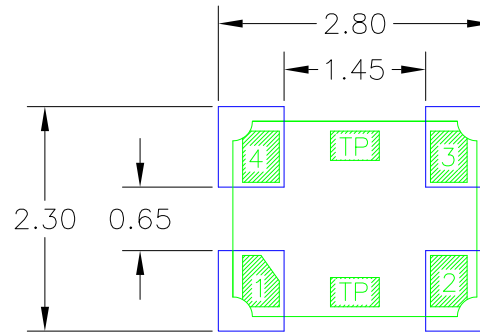


BOTTOM VIEW

NOTES:
1. ALL DIMENSIONS IN MM.

TOLERANCES UNLESS SPECIFIED		 6024 Silver Creek Valley Rd San Jose, CA 95138 PHONE: (408) 727-6116 FAX: (408) 492-8674 www.IDT.com
DECIMAL	ANGULAR	
XX±	±	
XXX±		
CHECKED	DATE	TITLE
	1/20/16	JD4 PACKAGE OUTLINE 2.50 x 2.00 mm BODY 0.8 mm Thick CLCC
APPROVALS		SIZE
		C
		DRAWING No.
		PSC-4635
		REV
		01
DO NOT SCALE DRAWING		SHEET 1 OF 2


REVISIONS			
REV	DESCRIPTION	DATE	APPROVED
00	INITIAL RELEASE	1/20/16	J.HUA
01	CORRECT TITLE	4/12/16	J.HUA



RECOMMENDED LAND PATTERN

NOTES:

1. ALL DIMENSIONS ARE IN mm. ANGLES IN DEGREES.
2. TOP DOWN VIEW. AS VIEWED ON PCB.
3. COMPONENT OUTLINE SHOWN FOR REFERENCE IN GREEN.
4. LAND PATTERN IN BLUE. NSMD PATTERN ASSUMED.
5. LAND PATTERN RECOMMENDATION PER IPC-7351B GENERIC REQUIREMENT FOR SURFACE MOUNT DESIGN AND LAND PATTERN.

TOLERANCES UNLESS SPECIFIED		 IDT™ 6024 Silver Creek Valley Rd San Jose, CA 95138 PHONE: (408) 727-6116 FAX: (408) 492-8674 www.IDT.com
DECIMAL	ANGULAR	
XX±	±	
XXX±		
XXXX±		
APPROVALS	DATE	TITLE
DRAWN <i>DAC</i>	1/20/16	JD4 PACKAGE OUTLINE 2.50 x 2.00 mm BODY 0.8 mm Thick CLCC
CHECKED		
	SIZE	DRAWING No.
	C	PSC-4635
		REV
		01
DO NOT SCALE DRAWING		SHEET 2 OF 2