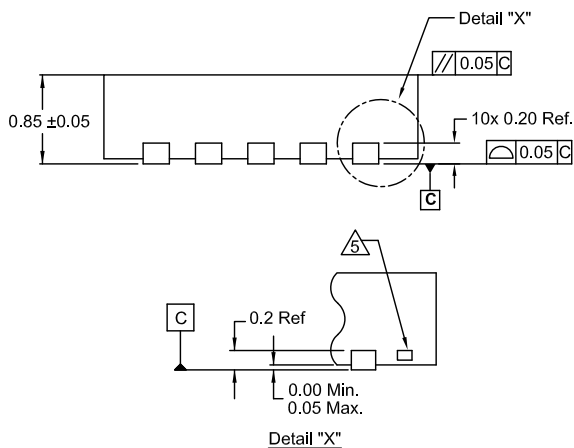
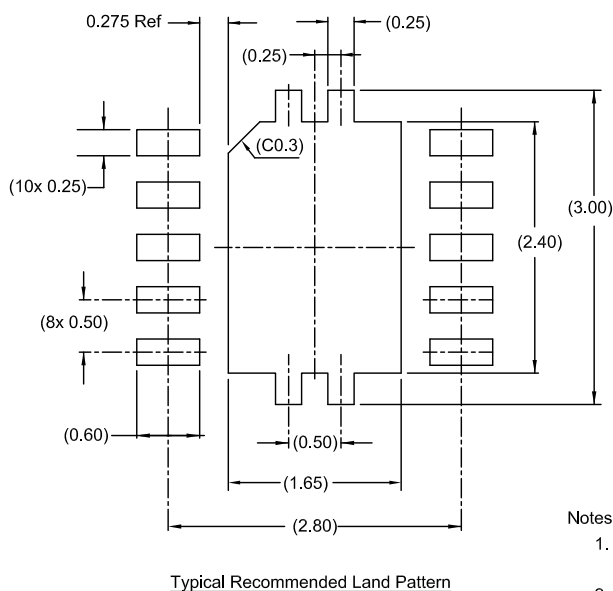
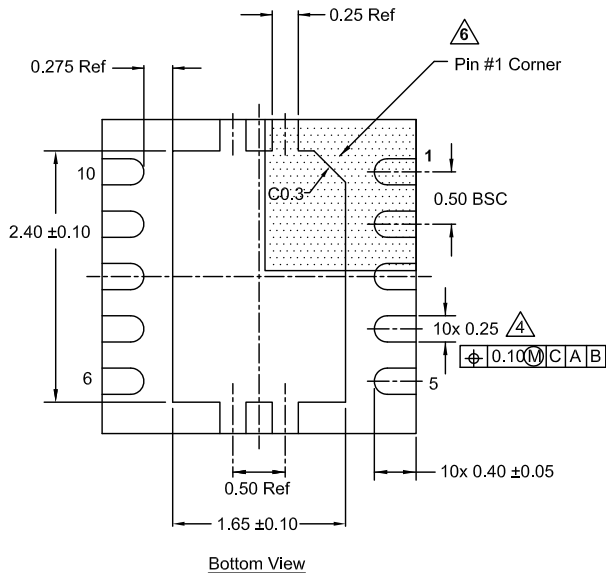
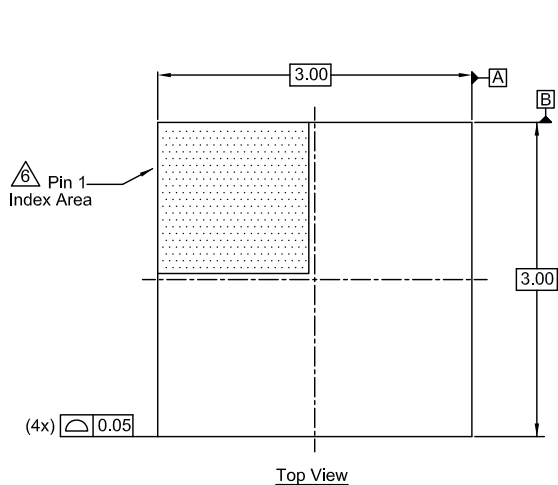


Plastic Packages for Integrated Circuits

Package Outline Drawing

L10.3x3F
 10 Lead Dual Flat No-Lead Plastic Package
 Rev 0, 1/20



Notes:

- Dimensions are in millimeters. Dimensions in () for reference only.
 - Dimensioning and tolerancing conform to ASME Y14.5m-1994.
 - Unless otherwise specified, tolerance: Decimal ±0.05
4. This dimension applies to the metallized terminal and is measured between 0.15mm and 0.30mm from the terminal tip.
5. Tiebar shown (if present) is a non-functional feature.
6. The configuration of the pin #1 identifier is optional, but must be located within the zone indicated. The pin #1 identifier can be either a mold or mark feature.